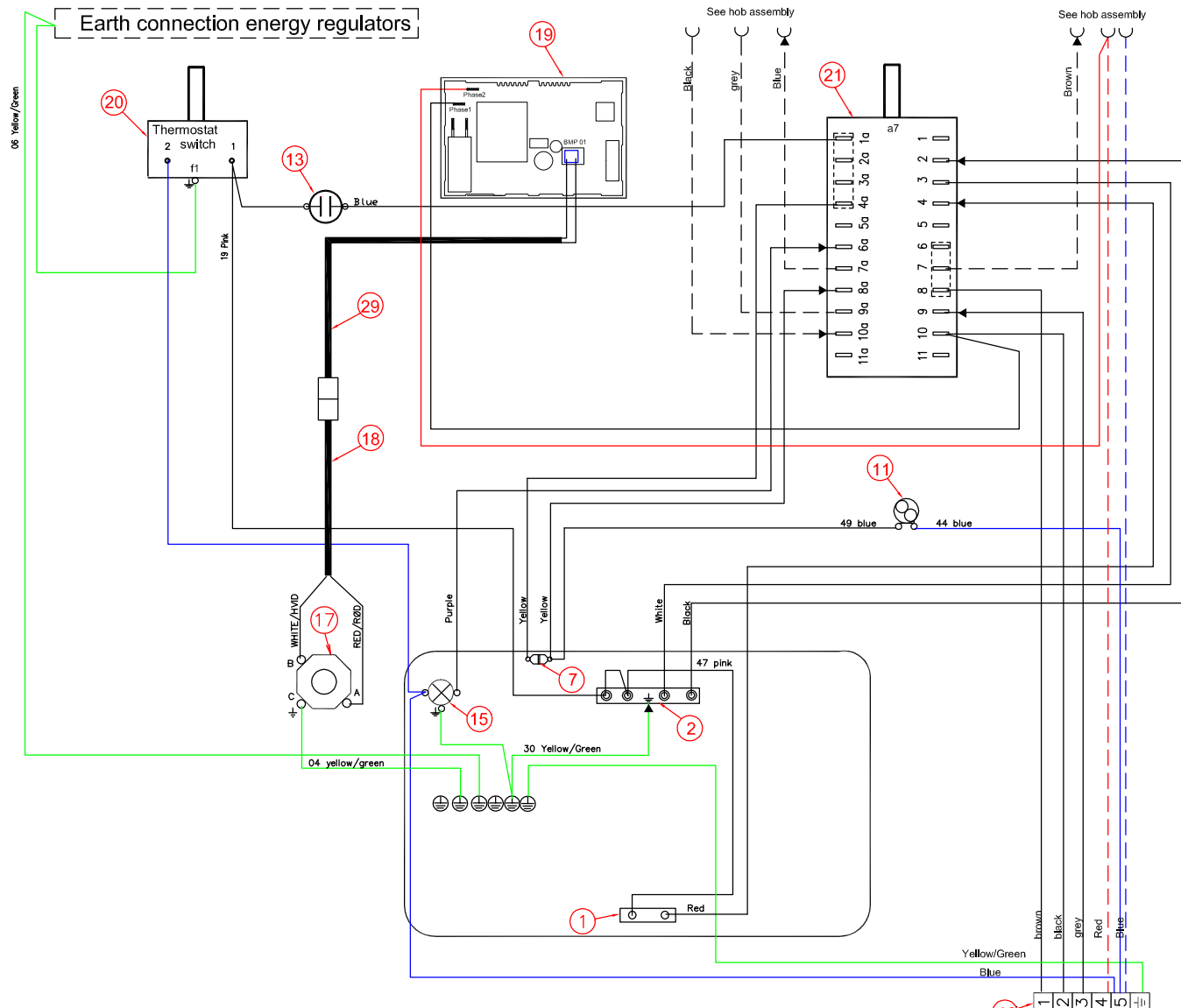
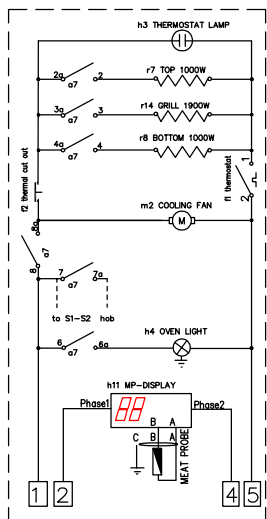


This drawing contains confidential information and is the property of Electrolux. Without whose permission it shall not be reproduced, stored in a retrieval system or otherwise used and it is to be returned immediately upon request to the design owner, who is responsible for the drawing.

Items shown in this drawing must not contain substances that are banned according to Directive 2002/95/EC, the RoHS Directive. Common Name: Hazardous Substances. Abbreviation: RoHS. Restricted Materials List: "Banned" or "Restrictive" according to the Electrolux Restricted Materials List.



| | | |
|-----|-----|-----------------------------|
| 29 | 1 | Wireset MP timer |
| 28 | - | |
| 27 | - | |
| 26 | - | |
| 25 | - | |
| 24 | - | |
| 23 | - | |
| 22 | - | |
| 21 | 1 | Main switch/ oven function |
| 20 | 1 | THERMOSTAT |
| 19 | 1 | MEATPROBE DISPLAY |
| 18 | 1 | Wireset MP socket |
| 17 | 1 | JACK SOCKET |
| 16 | 1 | TERMINAL STRIP 6 PINS, SNAP |
| 15 | 1 | OVEN LAMP TOP |
| 14 | - | |
| 13 | 1 | CONTROL LAMP |
| 12 | - | |
| 11 | 1 | COOLING FAN |
| 10 | - | |
| 9 | - | |
| 8 | - | |
| 7 | 1 | THERMAL CUT OUT |
| 6 | - | |
| 5 | - | |
| 4 | - | |
| 3 | - | |
| 2 | 1 | HEATINGELE. TOP 1000/1900W |
| 1 | 1 | HEATINGELE. LOWER 1000W |
| POS | ANT | GENSTAND |

| ID | DESCRIPTION | ELUX PART NO. |
|----|---------------------------|---------------|
| | Oven selector wiring | 349 4249 |
| | INSULATION HOUSING | |
| | LIST OF CRIMP CONTACTS | 330 1766 |
| | Component list | 330 2222 |
| | Wiring list harness flins | 349 4559 |
| | Wiring list harness SIR | 349 4543 |

| 349 5650-02 | | | | | |
|----------------|-----------------|------|-------|--------------|------------------------------|
| VARIANT NUMBER | REPLACED NUMBER | POS. | MODEL | DESIGN USERS | CHANGES FROM THE BASE NUMBER |

230V

| | | | | |
|-------------------|---------------|--------------|--------------|-----------------------|
| A First edition | | S.A.H | ABS5439 | 2007-06-13 |
| POS | MODIFICATIONS | SIGNATURE | REQUEST | DATE |
| MATERIAL | WEIGHT | DESIGN USERS | REPLACES | EUROPEAN METHOD |
| TREATMENT | | | DERIVED FROM | |
| DESIGN OWNER | DRN S.A.H | DP S.A.H | DRYLY S.A.H | SUPPLY SPECIFICATIONS |
| DATE 2007-06-13 | APP S.A.H | REVIEWER | TITLE | Wiring oven assembly |
| Electrolux | | NUMBER | 349 5650 | REV A |
| | | | | SHEET |