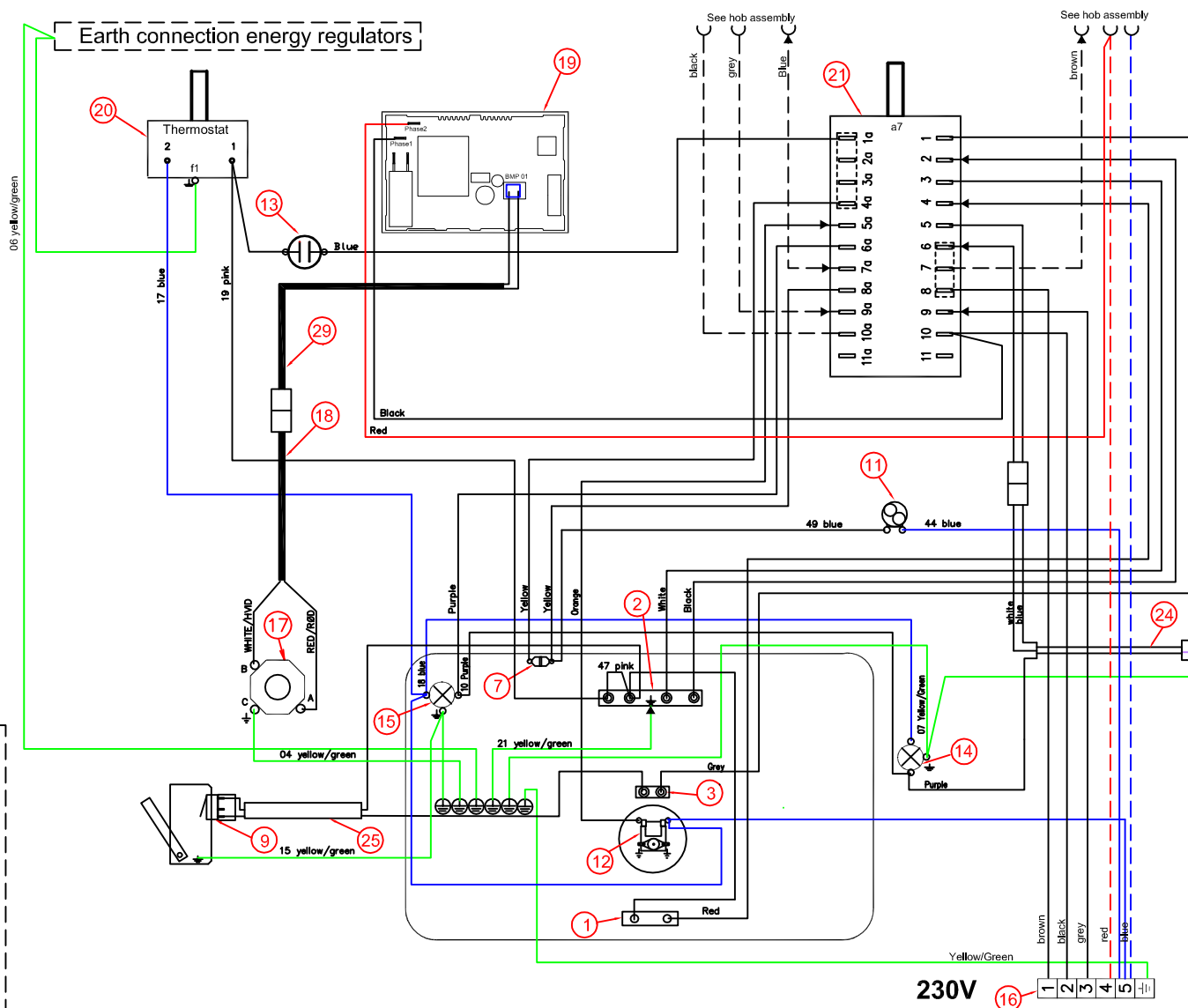
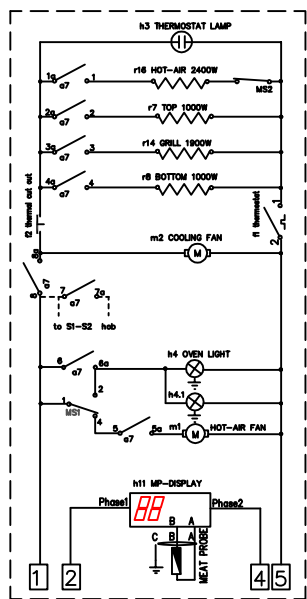


This drawing contains confidential information and is the property of Electrolux. Without whose permission it may not be copied, shown or handed to a third party or used in any way. The user agrees to indemnify Electrolux upon request to the design owner, who is responsible for the drawing.

Items shown in this drawing must not contain substances that are banned according to Directive 2002/95/EC, the RoHS Directive (Lead, Cadmium, Mercury, Hexavalent Chromium, Polychlorinated Biphenyls and Polybrominated Biphenyls) or "Restricted" according to the Electrolux Restricted Materials List.



29	1	Wireset MP timer
28	-	
27	-	
26	-	
25	1	WIRESET DOORSWITCH hot air element
24	1	WIRESET DOORSWITCH
23	-	
22	-	
21	1	Main switch/ oven function
20	1	THERMOSTAT
19	1	HEATINGELEM DISPLAY
18	1	Wireset MP socket
17	1	JACK PLUG
16	1	TERMINAL STRIP 6 PINS, SNAP
15	1	OVEN LAMP TIP
14	1	OVEN LAMP STRIP
13	1	THERMOSTAT LAMP
12	1	FANMOTOR HOTAIR/ROVEN
11	1	COOLING FAN
10	2	MICROSWITCH FAN/LIGHT
9	1	THERMAL CUT OUT
8	-	
7	1	THERMAL CUT OUT
6	-	
5	-	
4	-	
3	1	HEATINGELEM HOTAIR 2400W
2	1	HEATINGELEM TOP 1000/1900W
1	1	HEATINGELEM LOWER 1000W
POS/ANT		GENSTAND

ID	DESCRIPTION	ELUX PART NO.
	Oven selector wiring	349 4179
	INSULATION HOUSING	
	LIST OF CRIMP CONTACTS	330 1766
	Component list	330 2222

349 5649-02	349 4178-02	POS	MODEL	DESIGN USERS	CHANGES FROM THE BASE NUMBER
VARIANT NUMBER	REPLACED NUMBER				

A First edition		S.A.H	ABS5439	2007-06-13
POS	MODIFICATIONS	SIGNATURE	REQUEST	DATE
MATERIAL	WEIGHT	DESIGN USERS	REPLACES	EUROPEAN METHOD
TREATMENT	WEIGHT	DESIGN USERS	REPLACES	EUROPEAN METHOD
DESIGN OWNER	DATE	DATE	DATE	TITLE
S.A.H	2007-06-13	S.A.H	S.A.H	Wiring oven assembly
Electrolux			NUMBER	REV
			349 5649	A
				SHEET