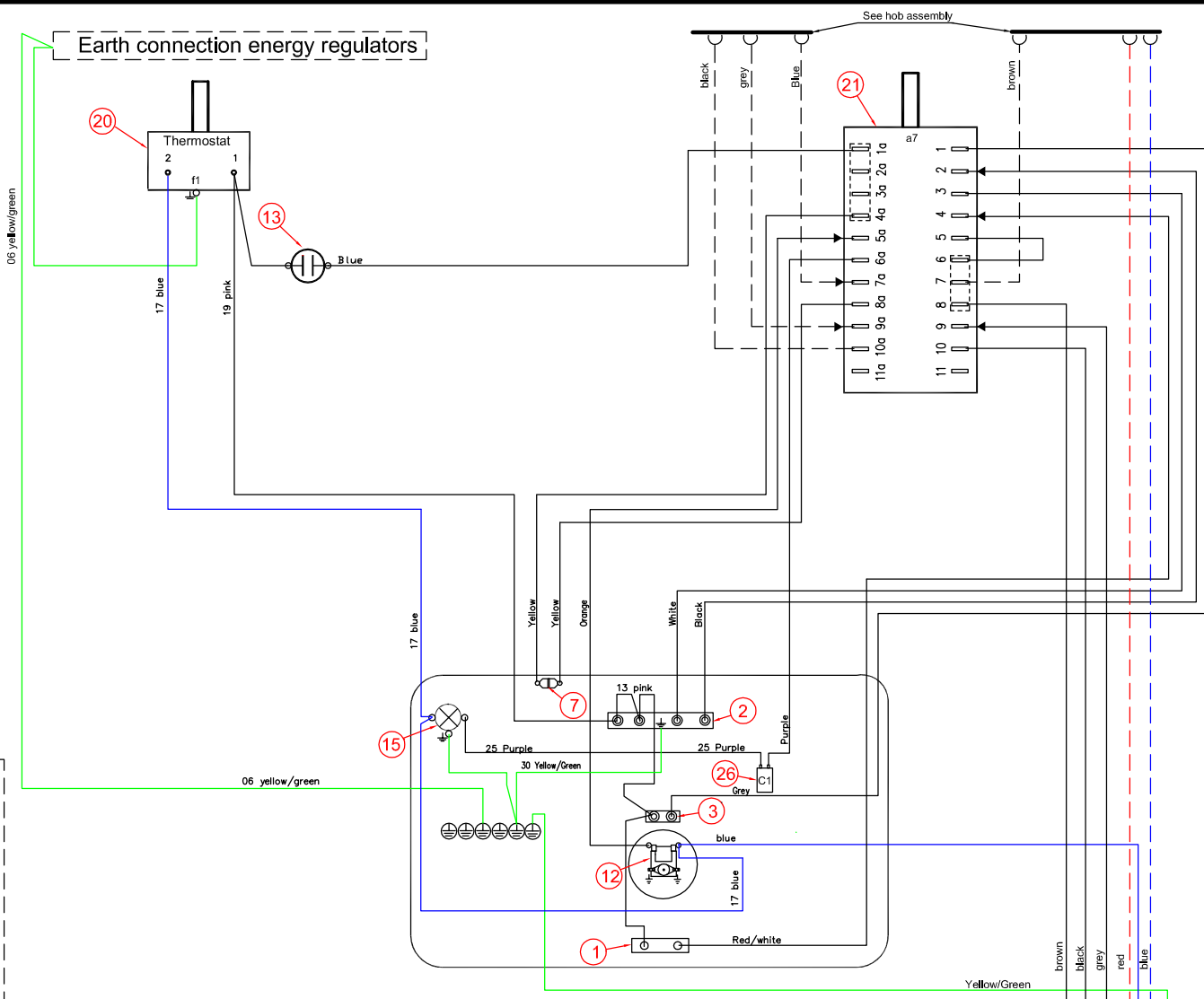
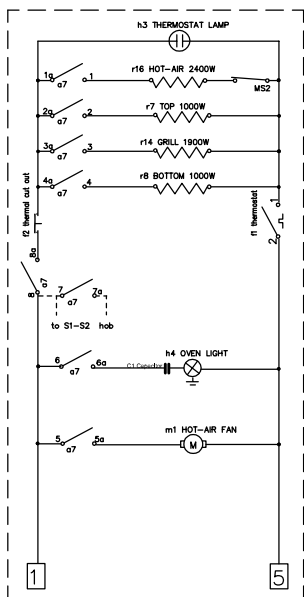


This drawing contains confidential information and is the property of Electrolux. Without whose permission it shall not be reproduced, stored in a retrieval system or otherwise used and it is to be returned immediately upon request to the design owner, who is responsible for the drawing.

Items shown in this drawing must not contain substances that are banned according to Directive 2002/95/EC, the RoHS Directive. Cadmium, Mercury, Hexavalent Chromium, Lead and Polychlorinated Biphenyls (PCBs) or "Restrictive" according to the Electrolux Restricted Materials List.



29	-
28	-
27	-
26	1 Capacitor oven lamp 40W
25	-
24	-
23	-
22	-
21	1 Main switch/ oven function
20	1 Thermostat
19	-
18	-
17	-
16	1 Main Terminal 6 pole snap in
15	1 Oven lamp back
14	-
13	1 Thermostat lamp
12	1 Fan motor hot air oven
11	-
10	-
9	-
8	-
7	-
6	-
5	-
4	-
3	1 Heating element hot air
2	1 Heating element top
1	1 Heating element bottom
POS/JANT	GENSTAND

ID	DESCRIPTION	ELUX PART NO.
	Oven selector wiring	349 4273
	INSULATION HOUSING	
	LIST OF CRIMP CONTACTS	330 1766
	Component list	330 2222

349 5647-02					
VARIANT NUMBER	REPLACED NUMBER	POS.	MODEL	DESIGN USERS	CHANGES FROM THE BASE NUMBER

A First edition		S.Ahl	ABS5407	2007-05-31
POS.	MODIFICATIONS	SIGNATURE	REQUEST	DATE
MATERIAL	WEIGHT	DESIGN USERS	REPLACES	EUROPEAN METHOD
TREATMENT			DERIVED FROM	
DESIGN OWNER	DRN S.Ahl	CC S.Ahl	SUPPLY	MM
DATE	2007-05-31	APP S.Ahl	REVIEW	ED
TITLE				Wiring oven assembly
Electrolux		NUMBER	349 5647	REV A
				SHEET