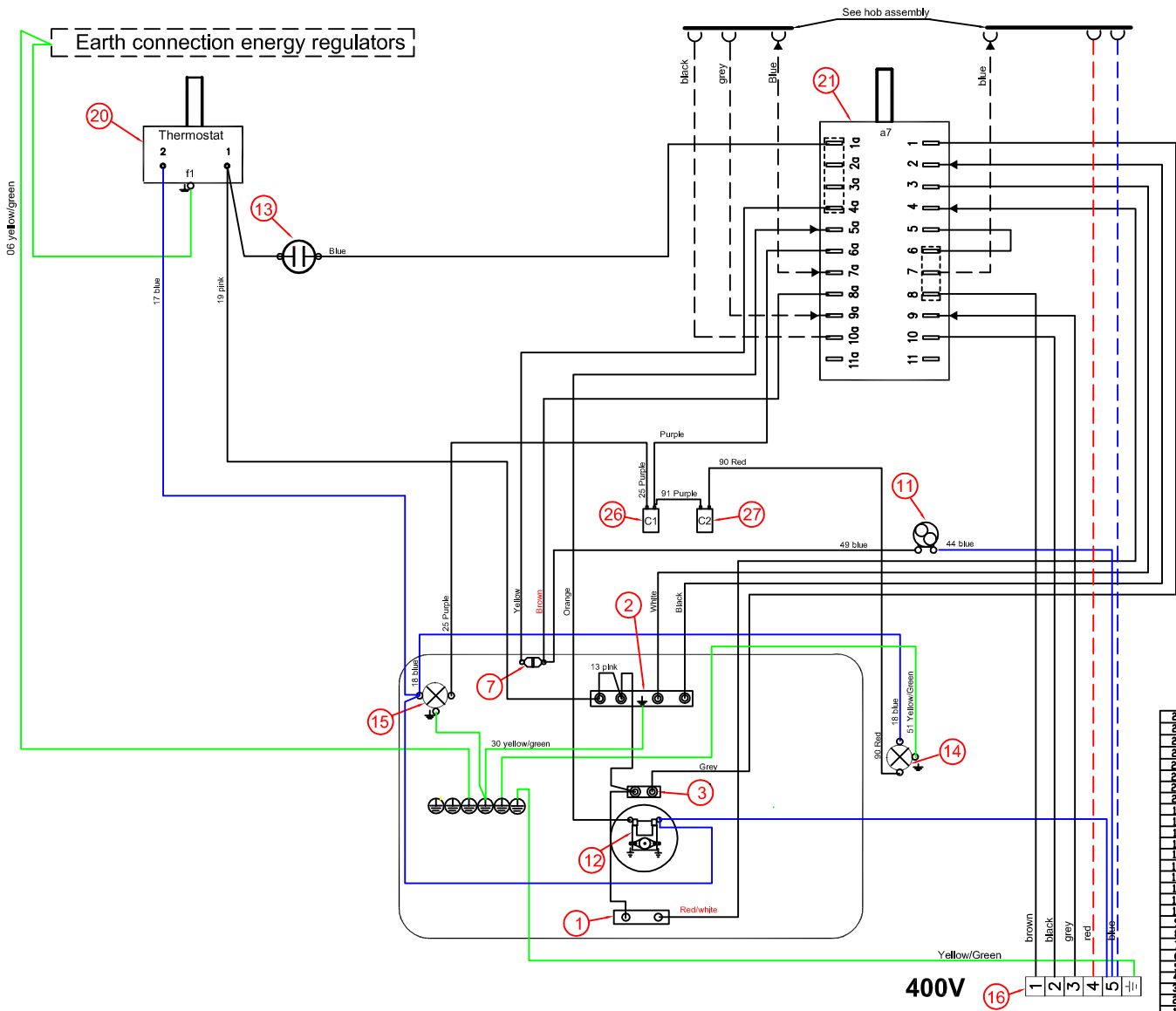
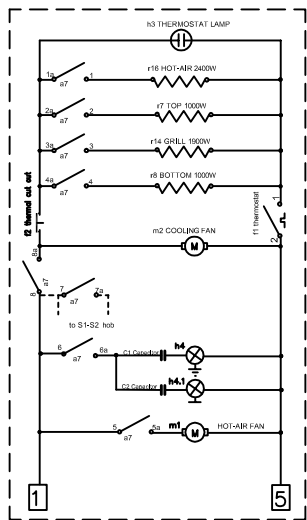


This drawing contains confidential information and is the property of Electrolux, without whose permission it shall not be reproduced, stored in a retrieval system or otherwise used and it is to be returned immediately upon request to the design owner, who is responsible for the drawing.

Items shown in this drawing must not contain substances that are banned according to Directive 2002/95/EC, the RoHS Directive. Cadmium, Chromium VI, Hexavalent Chromium, Lead, Mercury, Polybrominated Biphenyls (PBB) and Polybrominated Diphenyl Ethers (PBDE) are not allowed, unless they are "Exempted" or "Restricted" according to the Electrolux Restricted Materials List.



27	1	Capacitor oven lamp 25W
26	1	Capacitor oven lamp 40W
24	-	
23	-	
21	1	Main switch/ oven function
20	1	THERMOSTAT
19	-	
18	-	
17	-	
16	1	TERMINAL STRIP 6 PINS, SNAP
15	1	OVEN LAMP TIP
14	1	OVEN LAMP SIDE
13	1	THERMOSTAT LAMP
12	1	FANMOTOR HITAIR/OVEN
11	1	COOLING FAN
10	-	
9	-	
8	-	
7	1	THERMAL CUT OUT
6	-	
5	-	
3	1	HEATINGELE. HITAIR 2400W
2	1	HEATINGELE. TOP 1000/1900W
1	1	HEATINGELE. LOWER 1000W
POS/ANT		GENSTAND

ID	DESCRIPTION	ELUX PART NO.
	Oven selector wiring MO9	349 4210
	INSULATION HOUSING	
	LIST OF CRIMP CONTACTS	330 1766
	Component list	330 2222

349 5337-02							
VARIANT NUMBER	REPLACED NUMBER	POS.	MODEL	DESIGN USERS	CHANGES FROM THE BASE NUMBER		

A First edition		S.A.H	ABS5114	2007-03-05
POS.	MODIFICATIONS	SIGNATURE	REQUEST	DATE
MATERIAL	WEIGHT	DESIGN USERS	REPLACES	EUROPEAN METHOD
FRAGMENT	WEIGHT	DESIGN USERS	DERIVED FROM	
DESIGN OWNER	DRN S.A.H	CP S.A.H	SRPLY M4	SUPPLY SPECIFICATIONS
DATE 2007-03-05	APP S.A.H	REPLY R3	TITLE	Wiring oven assembly
Electrolux		NUMBER	349 5594	REV A
				SHEET