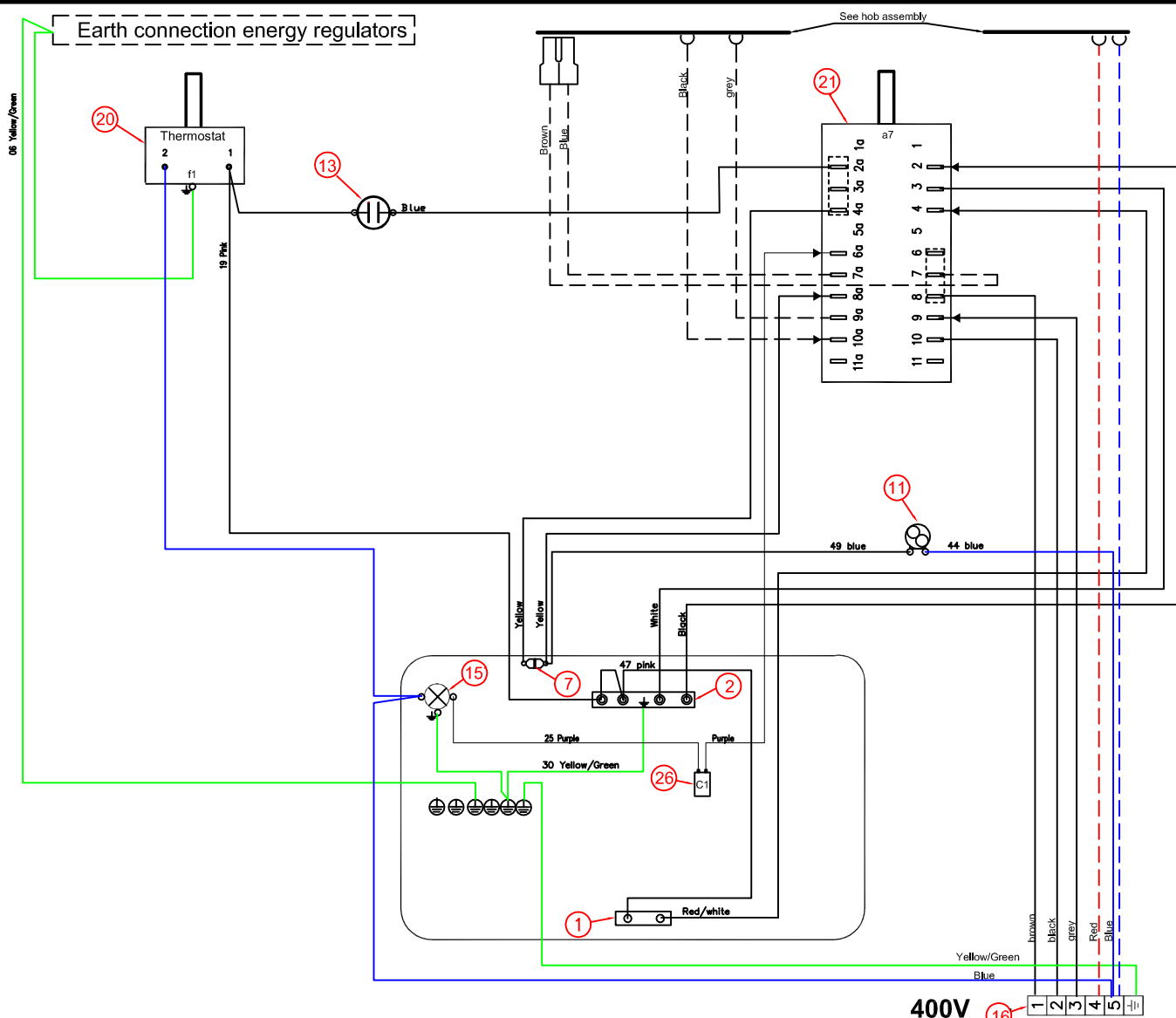
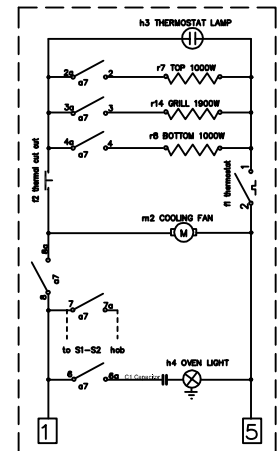


This drawing contains confidential information and is the property of Electrolux, without whose permission it may not be reproduced, stored in a retrieval system or otherwise used and it is to be returned immediately upon request to the design owner, who is responsible for the drawing.

Items shown in this drawing must not contain substances that are banned according to Directive 2002/95/EC, the RoHS Directive. In addition, the use of mercury, hexavalent chromium, polybrominated biphenyls (PBB) and polybrominated diphenyl ethers (PBDE) is prohibited. For more information, see the "Banned" or "Restricted" according to the Electrolux Restricted Materials List.

GENERAL DIMENSIONS AND PARAMETERS



27	
26	1 Capacitor oven lamp 40V
25	
24	
23	
22	
21	1 Main switch/ oven function
20	1 THERMOSTAT
19	
18	
17	
16	1 TERMINAL STRIP 6 PINS, SNAP
15	1 OVEN LAMP TIP
14	
13	1 CONTROL LAMP
12	
11	1 Cooling fan
10	
9	
8	
7	1 THERMAL CUT OUT
6	
5	
4	
3	
2	1 HEATINGELE TOP 1000/1900W
1	1 HEATINGELE LOWER 1000W
POS/No	Components

ID	DESCRIPTION	ELUX PART NO.
	Oven selector wiring	349 4247
	INSULATION HOUSING	
	LIST OF CRIMP CONTACTS	330 1766
	Component list	330 2222

349 5316-02						
VARIANT NUMBER	REPLACED NUMBER	POS.	MODEL	DESIGN USERS	CHANGES FROM THE BASE NUMBER	

A First edition		S.A.H	ABS 5071	2007-02-20
POS.	MODIFICATIONS	SIGNATURE	REQUEST	DATE
MATERIAL	MODEL	SCALE	EUROPEAN METHOD	
DESIGN USERS	REPLACES	DERIVED FROM		
DESIGN OWNER	DRN S.A.H	CP S.A.H	SRP/RY M	SUPPLY SPECIFICATIONS
DATE 2007-02-20	APP S.A.H	REVIEWER	TITLE Wiring oven assembly	
<b>Electrolux</b>		NUMBER	349 5590	REV A
				SHEET