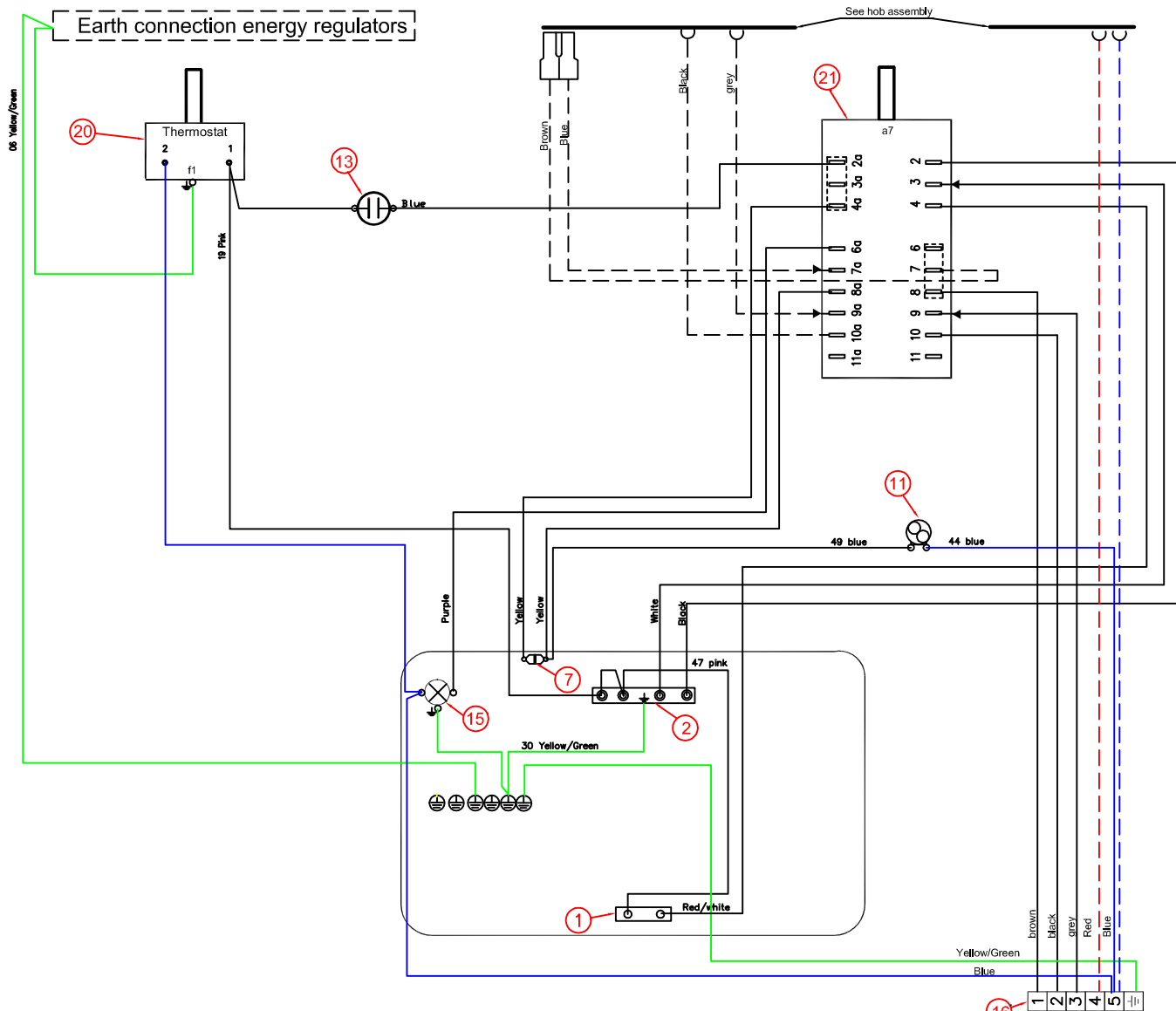
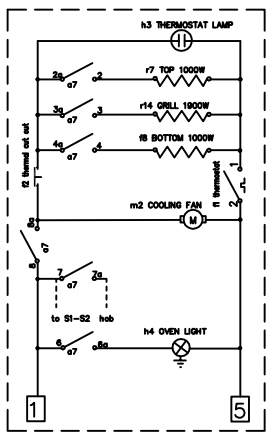


This drawing contains confidential information and is the property of Electrolux, without whose permission it shall not be reproduced, stored in a retrieval system or otherwise used and it is to be returned to the originator upon request to the design owner, who is responsible for the drawing.

Items shown in this drawing must not contain substances that are banned according to Directive 2002/95/EC, the RoHS Directive. Design, Development, Production, Maintenance and Repair should be done according to the "Banned" or "Restricted" according to the Electrolux Restricted Materials List.



25	
24	
23	
22	
21	1 Main switch/ oven function
20	1 THERMOSTAT
19	
18	
17	
16	1 TERMINAL STRIP 6 PINS,SNIP
15	1 OVEN LAMP TOP
14	
13	1 CONTROL LAMP
12	
11	1 Cooling Fan
10	
9	
8	
7	1 THERMAL CUT OUT
6	
5	
4	
3	
2	1 HEATINGELE TOP
1	1 HEATINGELE LOWER
POS/ANT	GENSTAND

ID	DESCRIPTION	ELUX PART NO.
	Oven selector wiring	349 4247
	INSULATION HOUSING	
	LIST OF CRIMP CONTACTS	330 1766
	Component list	330 2222

230V

A First edition		S.Ah	ABS5071	2007-02-20
POS	MODIFICATIONS	SIGNATURE	REQUEST	DATE
MATERIAL	WEIGHT	DESIGN USERS	REPLACES	EUROPEAN METHOD
DESIGN OWNER	DATE	DATE	TITLE	
		349 5589		

349 5589-02							
VARIANT NUMBER	REPLACED NUMBER	POS	MODEL	DESIGN USERS	CHANGES FROM THE BASE NUMBER		