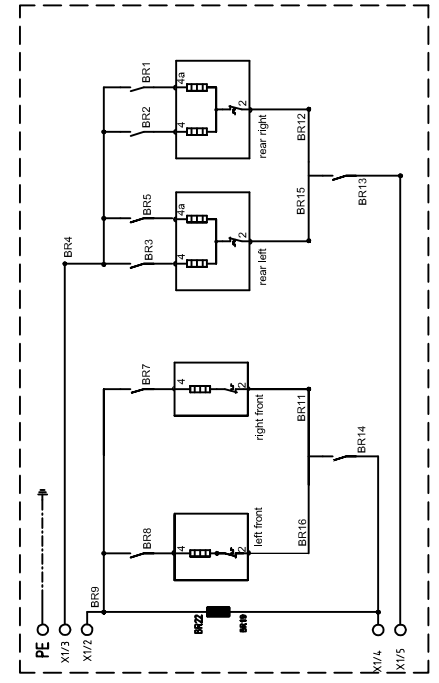
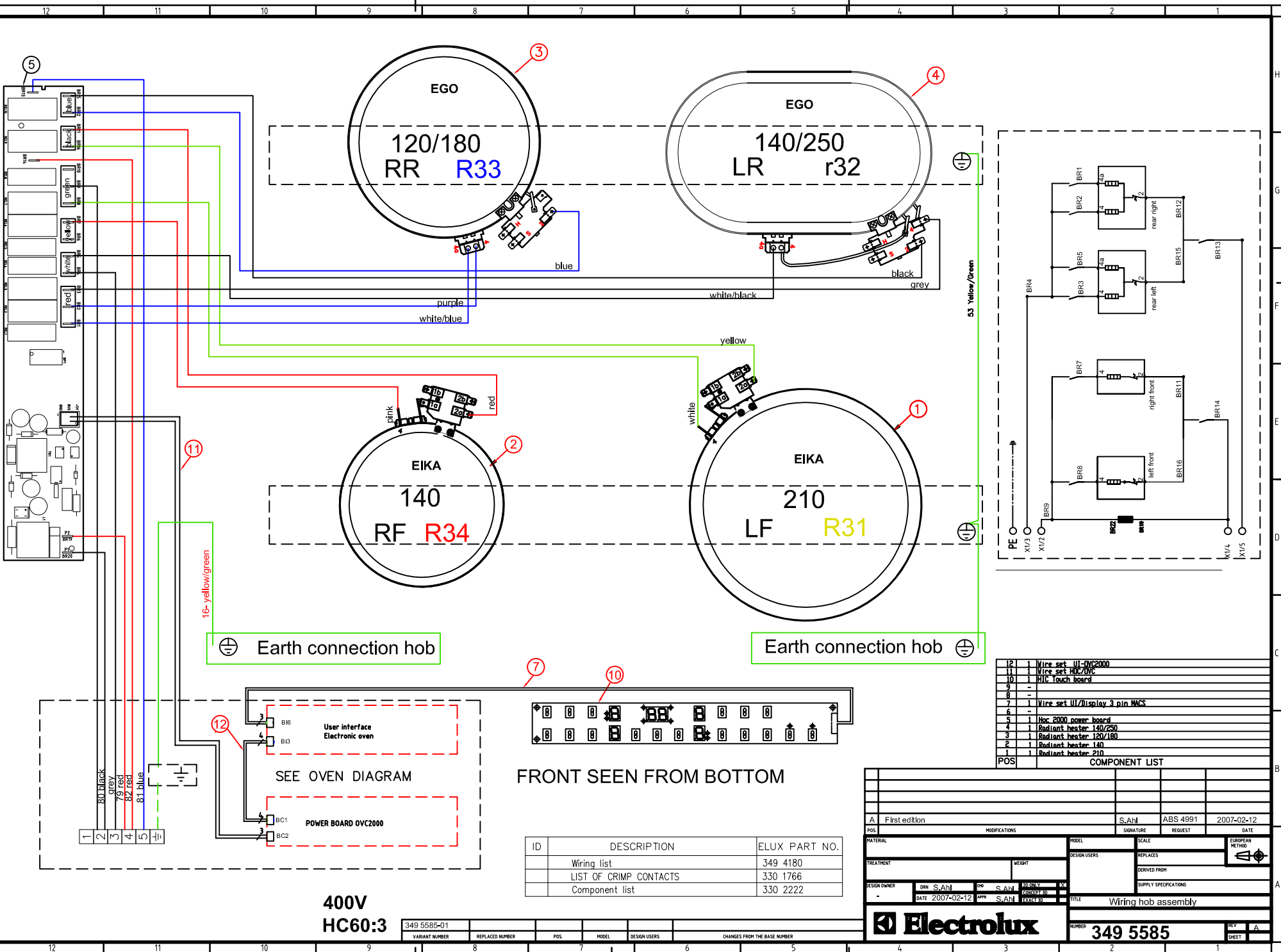


This drawing contains confidential information and is the property of Electrolux, without whose permission it may not be reproduced, stored in a retrieval system or otherwise used and it is to be returned to the design owner upon request to the design owner, who is responsible for the drawing.

Items shown in this drawing must not contain substances that are banned according to Directive 2002/95/EC, the RoHS Directive. The design owner is responsible for ensuring that the parts used in this drawing are RoHS compliant. The design owner is responsible for ensuring that the parts used in this drawing are RoHS compliant. The design owner is responsible for ensuring that the parts used in this drawing are RoHS compliant.



POS	DESCRIPTION	QUANTITY
12	Wire set UI-OVC2000	1
11	Wire set H2-TWC	1
10	HIC Touch board	1
9		
8		
7	Wire set UI/Display 3 pin MGS	1
6		
5	Hoc 2000 power board	1
4	Radiant heater 140/250	1
3	Radiant heater 120/180	1
2	Radiant heater 140	1
1	Radiant heater 210	1

COMPONENT LIST		SIGNATURE		DATE
A	First edition	S.Ah	ABS 4991	2007-02-12
MATERIAL	MODIFICATIONS	DESIGN USERS	REPLACES	EUROPEAN METHOD
TREATMENT	WEIGHT	DERIVED FROM	SUPPLY SPECIFICATIONS	
DESIGN OWNER	DATE	APPR	TITLE	
DRK S.Ah	2007-02-12	S.Ah	Wiring hob assembly	
Electrolux			NUMBER	REVISION
			349 5585	A

ID	DESCRIPTION	ELUX PART NO.
	Wiring list	349 4180
	LIST OF CRIMP CONTACTS	330 1766
	Component list	330 2222

400V
HC60:3

VARIANT NUMBER	REPLACED NUMBER	POS	MODEL	DESIGN USERS	CHANGES FROM THE BASE NUMBER
349 5585-01					