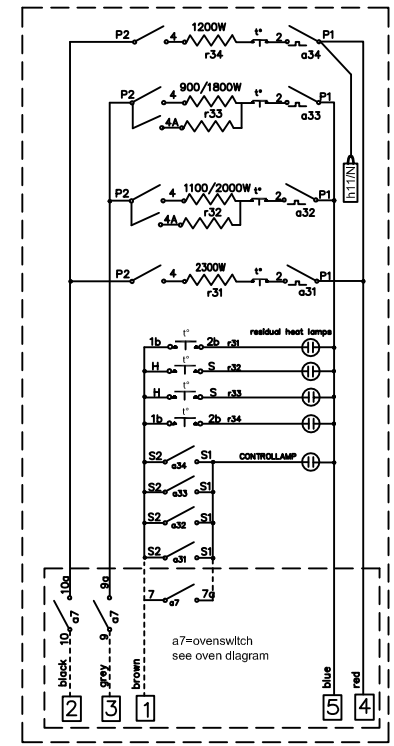
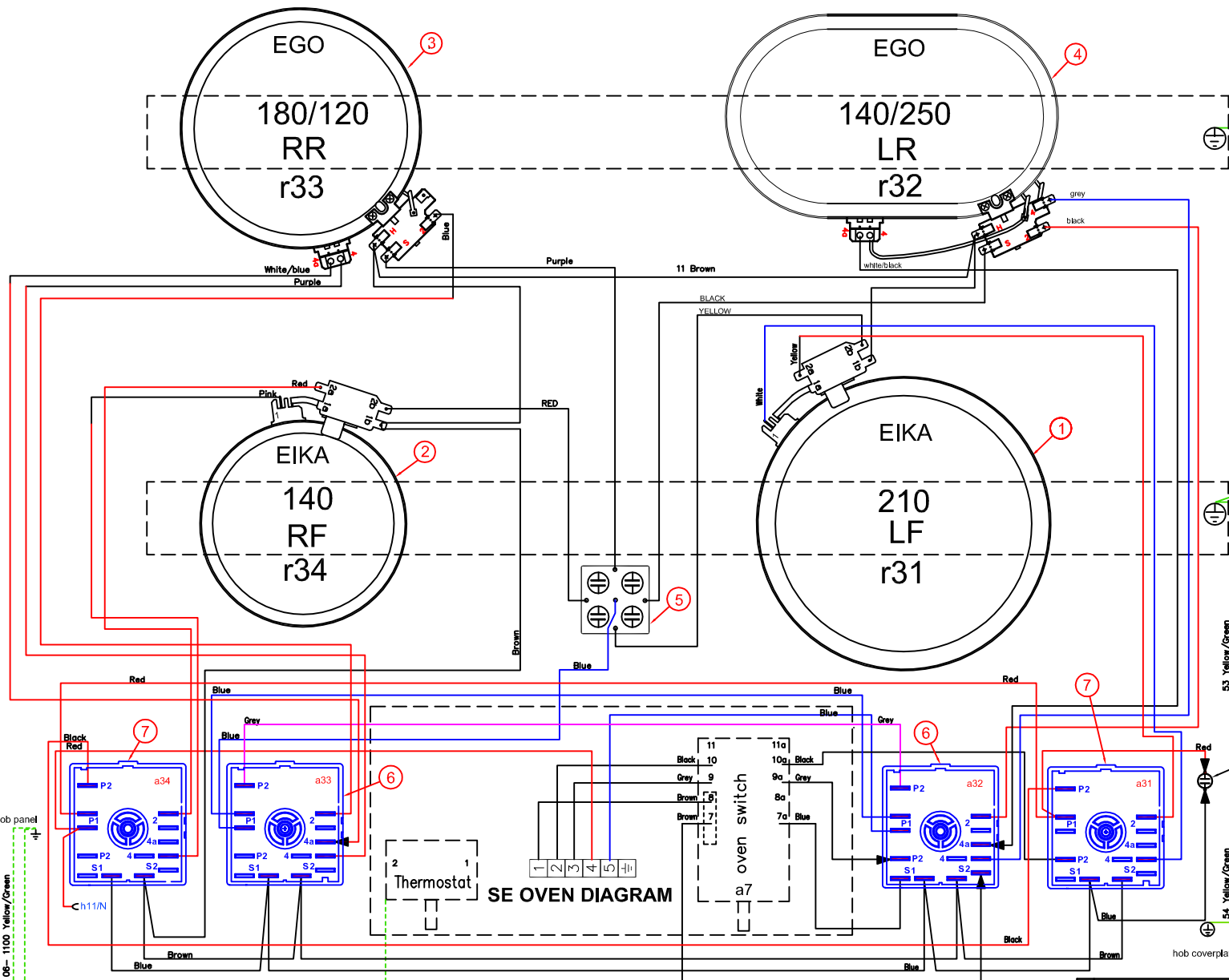


This drawing contains confidential information and is the property of Electrolux. Without whose permission it shall not be reproduced, stored in a retrieval system or otherwise used and it is to be returned immediately upon request to the design owner. who is responsible for the drawing.

Items shown in this drawing must not contain substances that are banned according to Directive 2002/95/EC, the RoHS Directive (Restriction of Hazardous Substances) or Directive 2006/66/EC, the Battery Directive (Restriction of Hazardous Substances) or "Restrictive" according to the Electrolux Restricted Materials List.



POS	QTY	DESCRIPTION	REF
8	1	indicating lamp cooker, 400V	
7	2	Energy rep. single zone 400V	
6	2	Energy rep. double zone 400V	
5	1	Heat indicator 4-RL - 400V	
4	1	Radiant heater 140/250, 400V, EGI	
3	1	Radiant heater 180/180, 400V, EGI	
2	1	Radiant heater 140, 400V, EIKA	
1	1	Radiant heater 210, 400V, EIKA	

ID	DESCRIPTION	ELUX PART NO.
	Hob wiring cpl.	349 5140-05
	INSULATION HOUSING	330 4175
	LIST OF CRIMP CONTACTS	330 1766
	Component list	330 2222

FRONT SEEN FROM BOTTOM  
HC60:3/HC70:3, 400V, flins

VARIANT NUMBER	REPLACED NUMBER	POS	MODEL	DESIGN USERS	CHANGES FROM THE BASE NUMBER
349 5572-01					

A First edition		S.A.HI	ABS 4881	2007-02-05
POS	MODIFICATIONS	SIGNATURE	REQUEST	DATE
MATERIAL	SCALE	DESIGN USERS	REPLACES	EUROPEAN METHOD
TREATMENT	WEIGHT	DESIGN USERS	DERIVED FROM	
DESIGN OWNER	CHK S.A.HI	CP S.A.HI	SUPPLY	SUPPLY SPECIFICATIONS
DATE	2007-02-05	APP S.A.HI	EXCEL 80	
TITLE				Wiring hob assembly
			NUMBER	349 5572
			REV	A
			SHEET	