

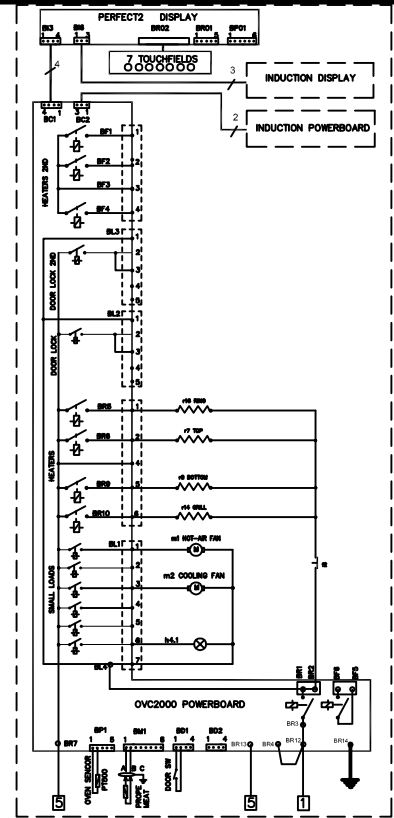
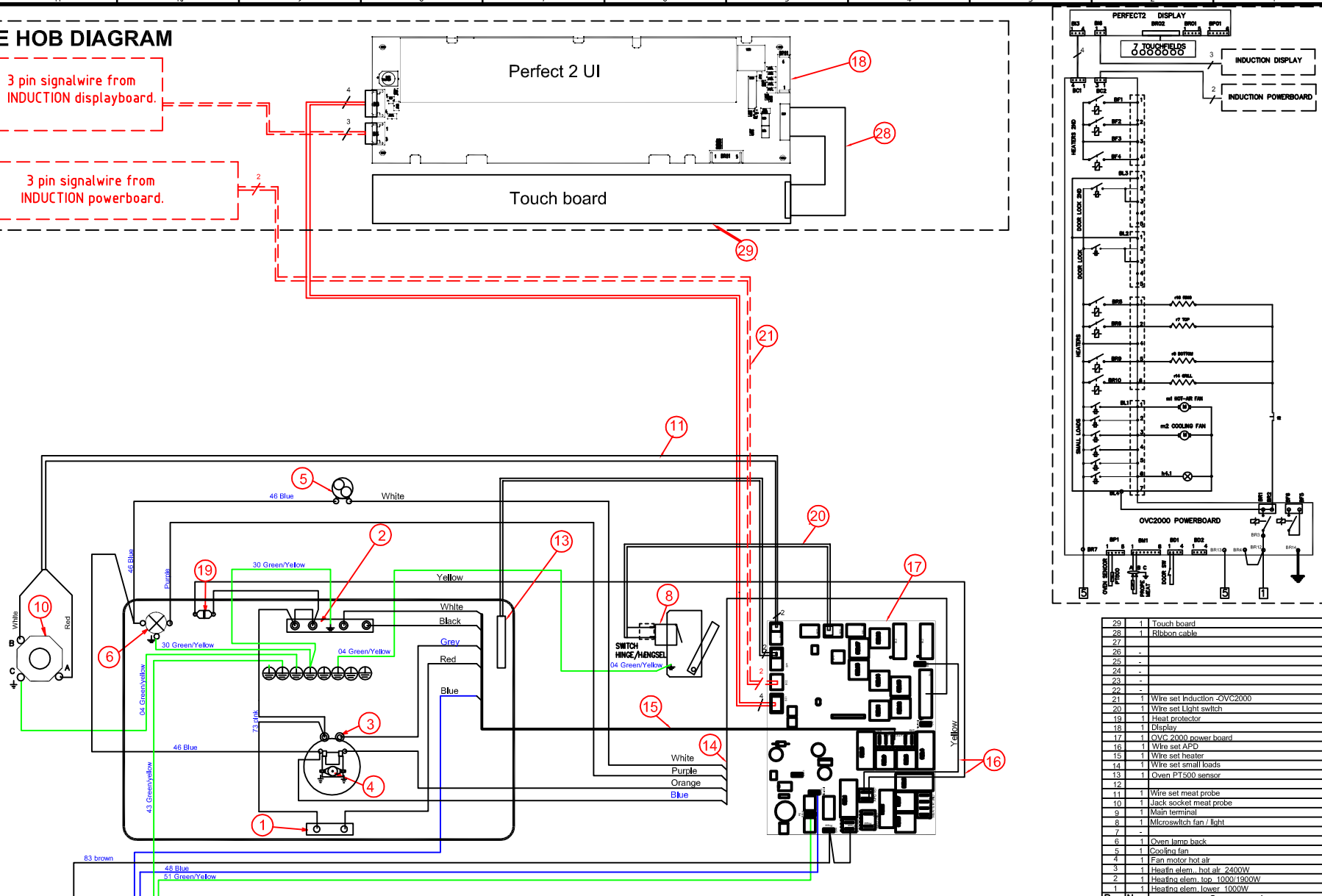
This drawing contains confidential information and is the property of Electrolux. Without whose permission it shall not be reproduced, stored in a retrieval system or otherwise used and it is to be returned immediately upon request to the design owner, who is responsible for the drawing.

Items shown in this drawing must not contain substances that are banned according to Directive 2002/95/EC, the RoHS Directive. Compliance with this Directive is the responsibility of the design owner. The design owner shall ensure that the parts and materials used in the design are not "Banned" or "Restricted" according to the Electrolux Restricted Materials List.

SEE HOB DIAGRAM

3 pin signalwire from  
INDUCTION displayboard.

3 pin signalwire from  
INDUCTION powerboard.



Pos	No	Components
29	1	Touch board
28	1	Ribbon cable
27	-	
26	-	
25	-	
24	-	
23	-	
22	-	
21	1	Wire set Induction -OVC2000
20	1	Wire set Light switch
19	1	Heat protector
18	1	Display
17	1	OVC 2000 power board
16	1	Wire set APD
15	1	Wire set heater
14	1	Wire set small loads
13	1	Oven PT500 sensor
12	-	
11	1	Wire set meat probe
10	1	Jack socket meat probe
9	1	Main terminal
8	1	Microswitch fan / light
7	-	
6	1	Oven lamp back
5	1	Cooling fan
4	1	Fan motor hot air
3	1	Heatin elem. hot air 2400W
2	1	Heating elem. top 1000/1900W
1	1	Heating elem. lower 1000W

ID	DESCRIPTION	ELUX PART NO.
▶	INSULATION HOUSING	
	LIST OF CRIMP CONTACTS	330 1766
	Component list	330 2222

A First edition		S.A.H		ABS 4904		2007-01-11	
POS	MODIFICATIONS	SIGNATURE	REQUEST	DATE	EUROPEAN METHOD		
MATERIAL	WEIGHT	DESIGN USERS	REPLACES	DERIVED FROM	SUPPLY SPECIFICATIONS		
DESIGN OWNER	DATE 2007-01-11	APPR S.A.H	CONCEPT	REVIEWER	TITLE Writing oven assembly		

FOR: 230V,PF2,SIT, INDUCTION ONLY

349 5520-02							
VARIANT NUMBER	REPLACED NUMBER	POS	MODEL	DESIGN USERS	CHANGES FROM THE BASE NUMBER		

**Electrolux**

NUMBER **349 5520** REV **A** SHEET