

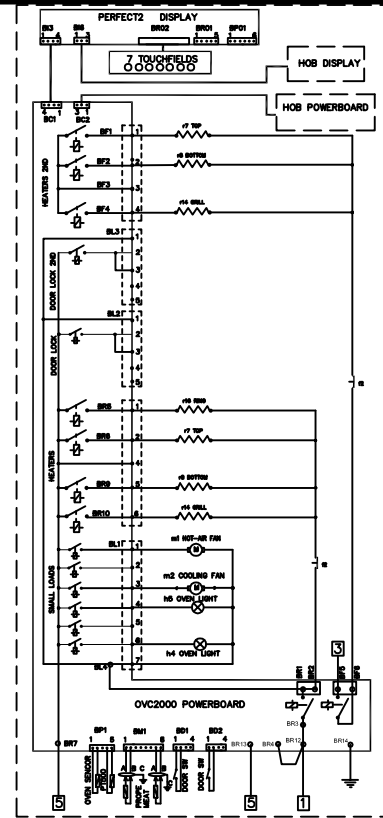
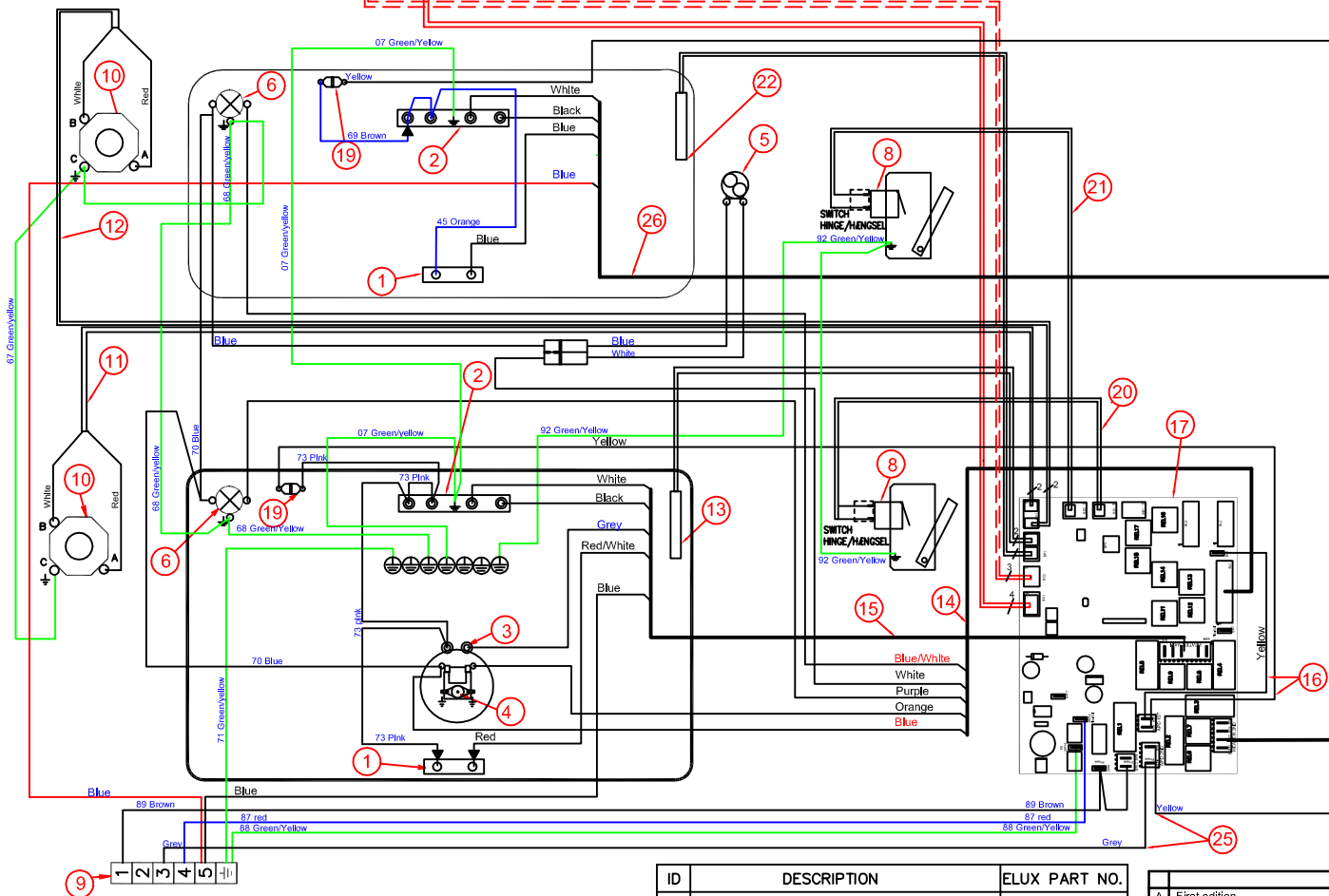
This drawing contains confidential information and is the property of Electrolux, without whose permission it shall not be reproduced, stored in a retrieval system or otherwise used and it is to be returned immediately upon request to the design owner, who is responsible for the drawing.

Items shown in this drawing must not contain substances that are banned according to Directive 2002/95/EC, the RoHS Directive, and Directive 2006/66/EC, the RoHS II Directive. The design owner shall ensure that the design owner is informed of the presence of "Banned" or "Restricted" materials according to the Electrolux Restricted Materials List.

SEE HOB DIAGRAM

3 pin signalwire from INDUCTION displayboard.

3 pin signalwire from INDUCTION powerboard.



Pos	No	Components
29	1	Touch board
28	1	Ribbon cable
27	-	
26	1	Wire set heater top oven
25	1	Wire set APD
24	-	
23	-	
22	1	Oven PT500 sensor
21	1	Wire set Light switch TO
20	1	Wire set Light switch MO
19	2	Heat protector 180°C
18	1	Display
17	1	OVC 2000 power board
16	1	Wire set APD
15	1	Wire set heater
14	1	Wire set small loads
13	1	Oven PT500 sensor
12	1	Wire set meat probe TO
11	1	Wire set meat probe MO
10	2	Jack socket meat probe
9	1	Main terminal
8	2	Microswitch fan / light
7	-	
6	2	Oven lamp back
5	1	Cooling fan
4	1	Fan motor hot air
3	1	Heatin elem. hot air 2400W
2	2	Heating elem. top 1000/1800W
1	2	Heating elem. lower 1000W

230V

ID	DESCRIPTION	ELUX PART NO.
	INSULATION HOUSING	
	LIST OF CRIMP CONTACTS	330 1766
	Component list	330 2222

A		First edition		S.Ah		ABS4904		2007.01.11	
POS	MODIFICATIONS			SIGNATURE	REQUEST	DATE			
MATERIAL		MODEL		SCALE		EUROPEAN METHOD			
TREATMENT		DESIGN USERS		REPLACES		DERIVED FROM			
DESIGN OWNER		DATE		APPROVED		SUPPLY SPECIFICATIONS			
-		2007.01.11		APR S.Ah		TITLE			
						Writing oven assembly			
						NUMBER		349 5519	
						REV		A	
						SHEET		1	

349 5519-02									
VARIANT NUMBER	REPLACED NUMBER	POS	MODEL	DESIGN USERS	CHANGES FROM THE BASE NUMBER				

