

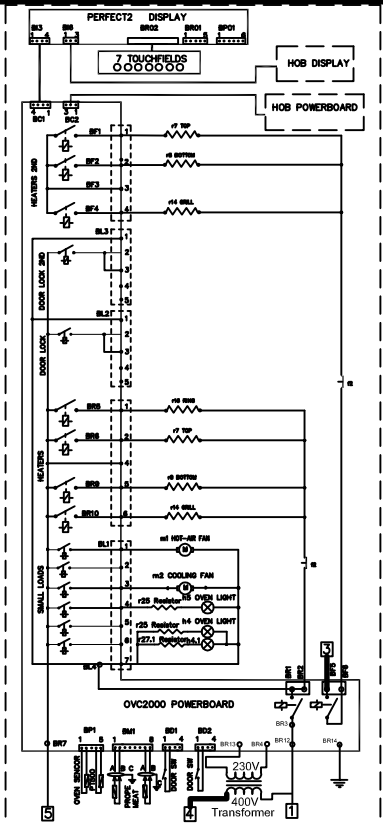
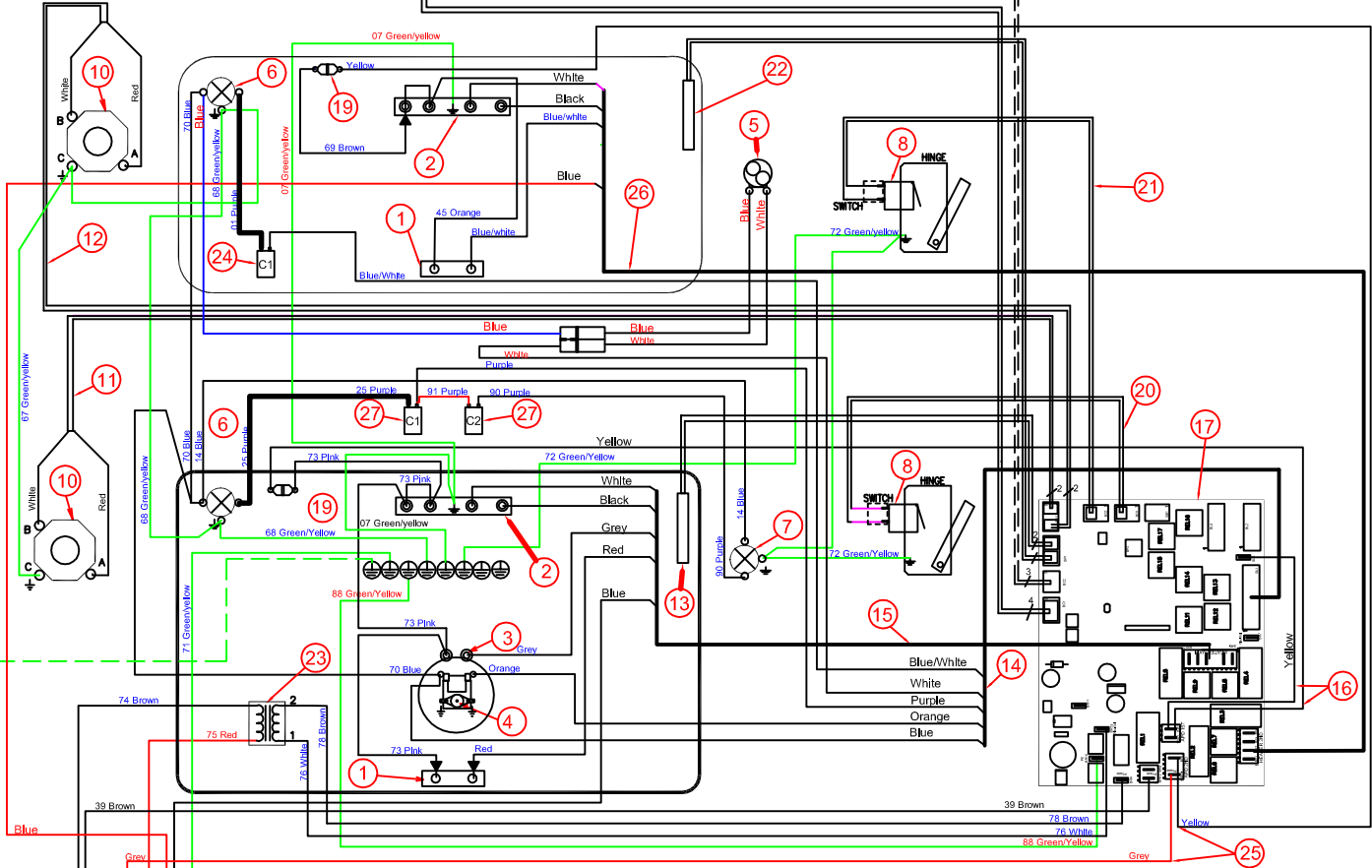
This drawing contains confidential information and is the property of Electrolux. Without whose permission it shall not be reproduced, stored in a retrieval system or otherwise used and it is to be returned immediately upon request to the design owner, who is responsible for the drawing.

Items shown in this drawing must not contain substances that are banned according to Directive 2002/95/EC, the RoHS Directive. The design owner, Electrolux, is responsible for ensuring that the products are RoHS compliant. The design owner is not responsible for ensuring that the products are RoHS compliant. The design owner is not responsible for ensuring that the products are RoHS compliant.

SEE HOB DIAGRAM

3 pin signalwire from hob displayboard.

3 pin signalwire from hob powerboard.



29	1	Touch board
28	1	Ribbon cable
27	2	Capacitor oven lamp 25W+40W
26	1	Wire set heater TO
25	1	Wire set APD
24	1	Capacitor oven lamp 40W
23	1	Transformer 400V/230V
22	1	Oven PT500 sensor TO
21	1	Wire set Light switch TO
20	1	Wire set Light switch MO
19	2	Heat protector
18	1	Display
17	1	OVC 2000 power board
16	1	Wire set APD
15	1	Wire set heater MO
14	1	Wire set small loads
13	1	Oven PT500 sensor MO
12	1	Wire set meat probe TO
11	1	Wire set meat probe MO
10	2	Jack socket meat probe
9	1	Main terminal
8	2	Microswitch fan / light
7	1	Oven lamp slide
6	2	Oven lamp back
5	1	Cooling fan
4	1	Fan motor hot air
3	1	Heatin elem. hot air 2400W
2	2	Heating elem. top 1000/1900W
1	2	Heating elem. lower 1000W

400V

ID	DESCRIPTION	ELUX PART NO.
	Wiring meat prob TO	349 5349
	Wiring meat prob MO	349 5346
INSULATION HOUSING		
	LIST OF CRIMP CONTACTS	330 1766
	Component list	330 2222
	Wiring OVC 2000 harness	349 5350
	Wiring list harness	349 5086

A First edition		S.A.H	ABS4038	2006.09.29
POS	MODIFICATIONS	SIGNATURE	REQUEST	DATE
MATERIAL	SCALE	DESIGN USERS	REPLACES	EUROPEAN METHOD
TREATMENT	WEIGHT	DESIGN USERS	DERIVED FROM	
DESIGN OWNER	DATE 2006.09.29	APPR S.A.H	REWORKED	SUPPLY SPECIFICATIONS
TITLE		Wiring oven assembly		
Electrolux		NUMBER 349 5356		
VARIANT NUMBER		REPLACED NUMBER		POS
DESIGN USERS		CHANGES FROM THE BASE NUMBER		