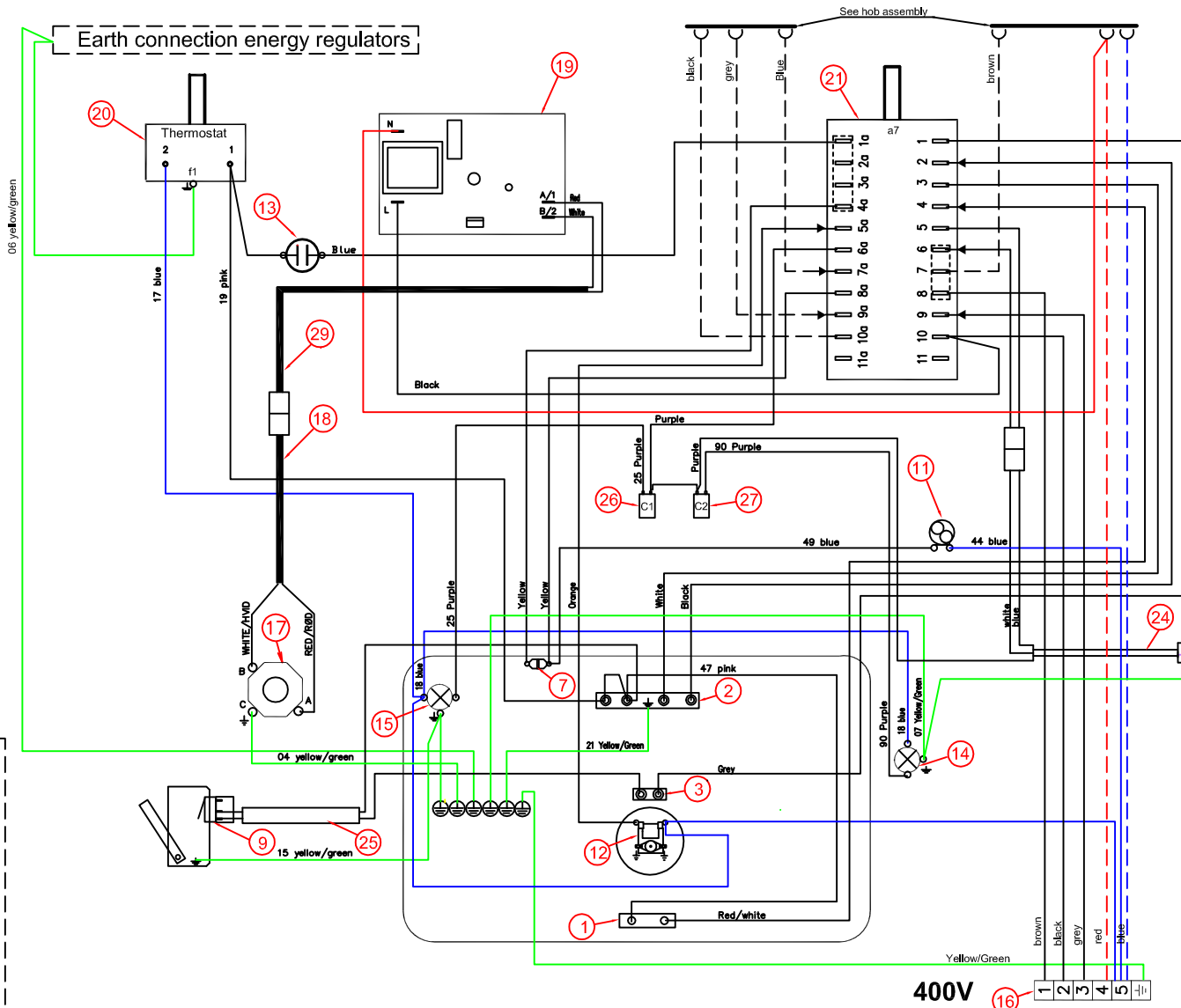
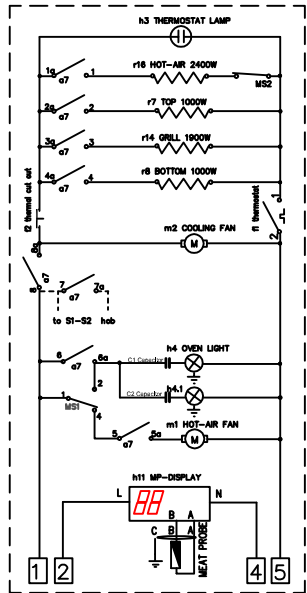


The drawing contains confidential information and is the property of Electrolux. Without whose permission it may not be copied, shown or handed to a third party without the prior written consent of Electrolux. Upon request to the design owner, who is responsible for the drawing.

Items shown in this drawing must not contain substances that are banned according to Directive 2002/95/EC, the RoHS Directive (Lead, Cadmium, Mercury, Hexavalent Chromium, Polychlorinated Biphenyls and Polybrominated Biphenyls) or "Restrictive" according to the Electrolux Restricted Materials List.



29	1	Wireset MP timer
28	-	
27	1	Capacitor oven lamp 25W
26	1	Capacitor oven lamp 40W
25	1	WIRESET DOORSWITCH hot air element
24	1	WIRESET DOORSWITCH
23	-	
22	-	
21	1	Main switch/ oven function
20	1	THERMOSTAT
19	1	HEATPIPE DISPLAY
18	1	Wireset MP socket
17	1	LOCK SWITCH
16	1	TERMINAL STRIP 6 PINS, SNAP
15	1	OVEN LAMP TIP
14	1	OVEN LAMP SIDE
13	1	THERMOSTAT LAMP
12	1	FRANKFURT HITAIR/OVEN
11	1	COOLING FAN
10	-	
9	2	MICROSWITCH FAN/LIGHT
8	-	
7	1	THERMAL CUT OUT
6	-	
5	-	
4	-	
3	1	HEATING/ELE. HITAIR 2400W
2	1	HEATING/ELE. TIP 1000/1500W
1	1	HEATING/ELE. LINER 1000W

POS|ANT GENSTAND

ID	DESCRIPTION	ELUX PART NO.
	Oven selector wiring	349 4276
	INSULATION HOUSING	
	LIST OF CRIMP CONTACTS	330 1766
	Component list	330 2222
24	Wire door switch	349 5325-01
25	Wire door switch	349 4194-01

349 5333-02					
VARIANT NUMBER	REPLAZED NUMBER	POS.	MODEL	DESIGN USERS	CHANGES FROM THE BASE NUMBER

A First edition		S.A.H	ABS 4038	2006-09-28
POS.	MODIFICATIONS	SIGNATURE	REQUEST	DATE
MATERIAL	WEIGHT	DESIGN USERS	REPLACES	EUROPEAN NET/NO
TREATMENT	WEIGHT	DESIGN USERS	DERIVED FROM	
DESIGN OWNER	DATE	DATE	TITLE	SUPPLY SPECIFICATIONS
SON S.A.H	2006-09-28	2006-09-28	Wiring oven assembly	
Electrolux		NUMBER 349 5333		REV A
		SHEET		