

This drawing contains confidential information and is the property of Electrolux. Without whose permission it shall not be reproduced, stored in a retrieval system or otherwise used and it is to be returned immediately upon request to the design owner, who is responsible for the drawing.

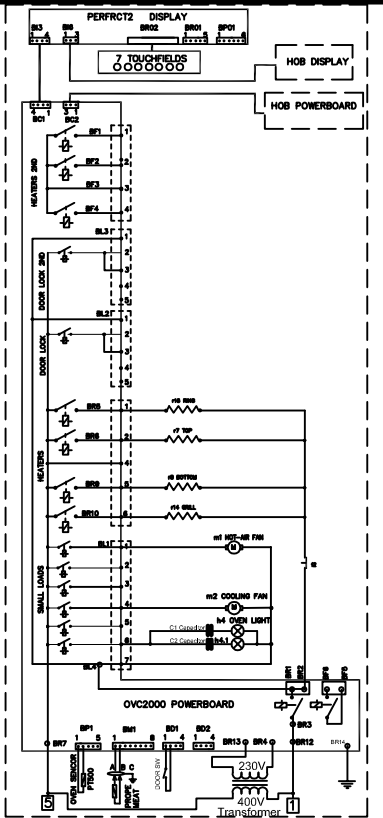
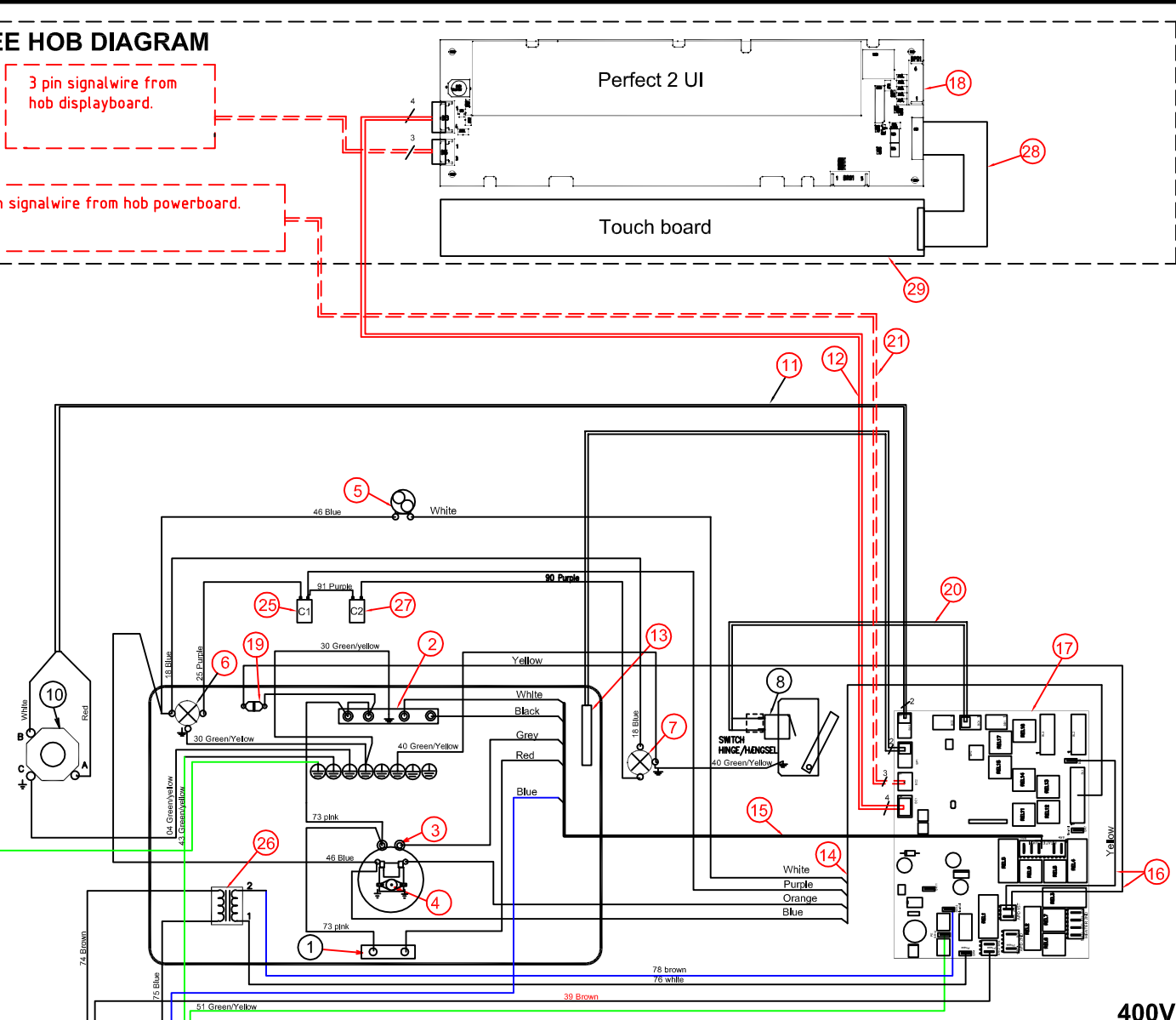
Items shown in this drawing must not contain substances that are banned according to Directive 2002/95/EC, the RoHS Directive. Chemicals, components, materials and parts must be RoHS compliant. Components must be "Banned" or "Restricted" according to the Electrolux Restricted Materials List.

SEE HOB DIAGRAM

3 pin signalwire from hob displayboard.

3 pin signalwire from hob powerboard.

Green/Yellow earth connection from hob.



Pos No	Components
29	1 Touch board
28	1 Ribbon cable
27	1 Capacitor oven lamp 25W
26	1 Transformer 400V/230V
25	1 Capacitor oven lamp 40W
24	
23	
22	
21	1 Wire set Induction -OVC2000
20	1 Wire set Light switch
19	1 Heat protector
18	1 Display
17	1 OVC 2000 power board
16	1 Wire set AFD
15	1 Wire set heater
14	1 Wire set small loads
13	1 Oven P1500 sensor
12	1 Wire set MACS OVC2000 - display
11	1 Wire set meat probe
10	1 Jack socket meat probe
9	1 Main terminal
8	1 Microswitch fan / light
7	1 Oven lamp slide
6	1 Oven lamp back slide
5	1 Ceiling fan
4	1 Fan motor hot air
3	1 HeatIn elem., hot air 2400W
2	1 Heating elem. top 1000/1900W
1	1 Heating elem. lower 1000W

ID	DESCRIPTION	ELUX PART NO.
11	Wire meat prob	349 5346
20	Wire door switch	349 5305
INSULATION HOUSING		
	LIST OF CRIMP CONTACTS	330 1766
	Component list	330 2222
	Wiring OVC 2000 harness	349 5334
	Wiring list harness	349 5327

400V

A First edition		S.A.H	ABS 4038	2006 09 18
POS	MODIFICATIONS	SIGNATURE	REQUEST	DATE
MATERIAL	SCALE	DESIGN USERS	REPLACES	EUROPEAN METHOD
TREATMENT	WEIGHT	DESIGN USER	DERIVED FROM	
DESIGN OWNER	DATE 2006 09 18	APPR S.A.H	REWORKED	SUPPLY SPECIFICATIONS
TITLE Wiring oven assembly		ELECTROLUX		
NUMBER 349 5328		REV A		