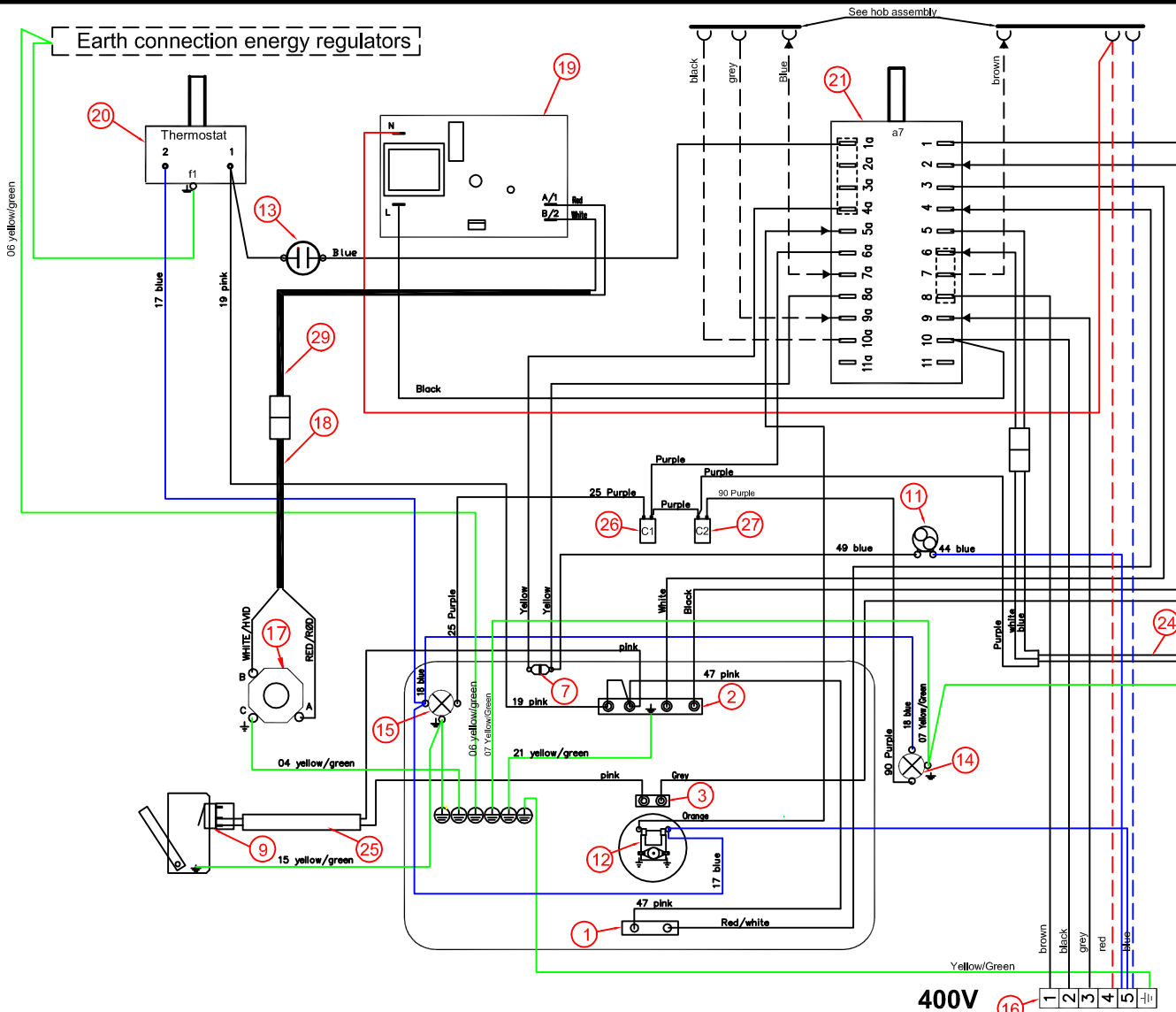
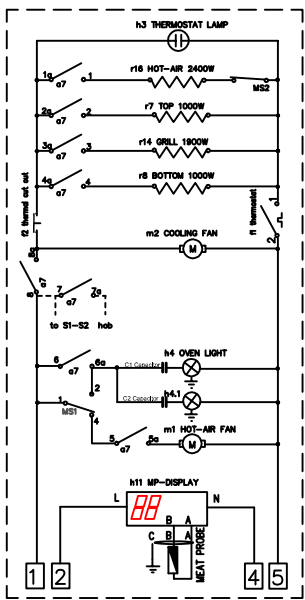


This drawing contains confidential information and is the property of Electrolux. Without whose permission it shall not be reproduced, stored in a retrieval system or transmitted in any form or by any means, electronic, mechanical, photocopying, recording or otherwise, and it is to be returned to the party upon request to the design owner, who is responsible for the drawing.

Items shown in this drawing must not contain substances that are banned according to Directive 2002/95/EC, the RoHS Directive. Cadmium, Hexavalent Chromium, Polychlorinated Biphenyls (PCBs) and Polybrominated Biphenyls (PBBs) are not permitted. For more information, please refer to the Electrolux Restricted Materials List.



29	1	Wireset MP timer
28	-	
27	1	Capacitor oven lamp 25W
26	1	Capacitor oven lamp 40W
25	1	Wireset doorswitch hot air element
24	1	Wireset doorswitch light
23	-	
22	-	
21	1	Main switch/ oven function
20	1	THERMOSTAT
19	1	HEATINGE DISPLAY
18	1	Wireset MP socket
17	1	JACK SOCKET
16	1	TERMINAL STRIP 6 PINS, SNAP
15	1	OVENLAMP TIP
14	1	Oven lamp side
13	1	THERMOSTATLAMP
12	1	FAN MOTOR HOT AIR OVEN
11	1	COOLING FAN
10	-	
9	2	MICROSWITCH FAN/LIGHT
8	-	
7	1	THERMAL CUT OUT
6	-	
5	-	
4	-	
3	1	HEATINGE. HITAIR 2400W
2	1	HEATINGE. TIP 1000/1900W
1	1	HEATINGE. LOWER 1000W

POS/No Note

ID	DESCRIPTION	ELUX PART NO.
24	Wire door switch	349 5325-01
25	Wire door switch	349 4194-01
21	Oven selector wiring	349 4179
▶	INSULATION HOUSING	
▶	LIST OF CRIMP CONTACTS	330 1766
▶	Component list	330 2222

349 5326-02			400V		
VARIANT NUMBER	REPLACED NUMBER	POS	MODEL	DESIGN USERS	CHANGES FROM THE BASE NUMBER

A First edition		S.Ah	ABS 4038	2006-09-19
POS	MODIFICATIONS	SIGNATURE	REQUEST	DATE
MATERIAL	SCALE	DESIGN USERS	REPLACES	EUROPEAN METHOD
TREATMENT	WEIGHT	DESIGN USERS	DERIVED FROM	
DESIGN OWNER	DATE	DATE	TITLE	SUPPLY SPECIFICATIONS
DRN S.Ah	2006-09-19	APP S.Ah	Wiring oven assembly	
				NUMBER 349 5326
				REL A SHEET