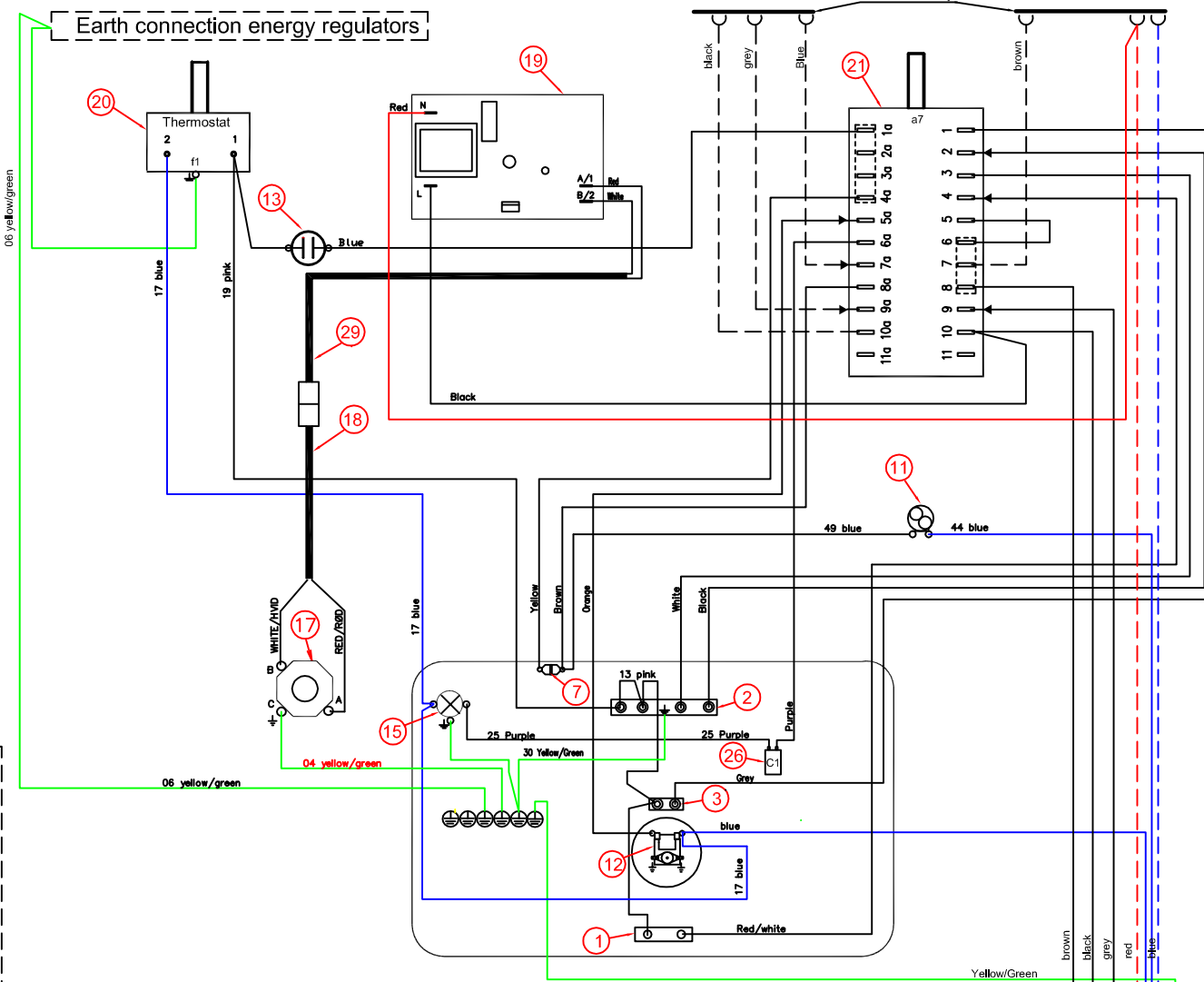
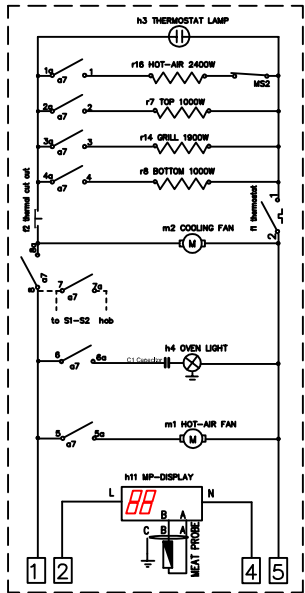


The drawing contains confidential information and is the property of Electrolux. Without whose permission it may not be copied, shown or handed to a third party. Any use of this drawing without the express written request of the design owner, who is responsible for the drawing.

Items shown in this drawing must not contain substances that are banned according to Directive 2002/95/EC, the RoHS Directive (Lead, Cadmium, Mercury, Hexavalent Chromium, Polychlorinated Biphenyls and Polybrominated Biphenyls) or "Banned" or "Restricted" according to the Electrolux Restricted Materials List.



29	1	Wire set meat probe timer
28	-	
27	-	
26	1	Capacitor oven lamp 40W
25	-	
24	-	
23	-	
22	-	
21	1	Main switch/ oven function
20	1	Thermostat
19	1	Meat probe display
18	1	Wire set meat probe socket
17	1	Jack socket
16	1	Main terminal 6 pole snap in
15	1	Oven lamp back
14	-	
13	1	Thermostat lamp
12	1	Fan motor hot air oven
11	1	Cooling Fan
10	-	
9	-	
8	-	
7	1	Terminal cut out
6	-	
5	-	
4	-	
3	1	Heating element hot air
2	1	Heating element top
1	1	Heating element bottom
POS	ANT	GENSTAND

ID	DESCRIPTION	ELUX PART NO.
	Oven selector wiring	349 5190
	INSULATION HOUSING	
	LIST OF CRIMP CONTACTS	330 1766
	Component list	330 2222

349 5321-02									
VARIANT NUMBER	REPLACED NUMBER	POS.	MODEL	DESIGN USERS	CHANGES FROM THE BASE NUMBER				

A First edition		S.A.H	ABS4038	2006.09.28
POS.	MODIFICATIONS	SIGNATURE	REQUEST	DATE
MATERIAL	SCALE	DESIGN USERS	REPLACES	EUROPLAN NET/NO
TREATMENT	WEIGHT	DERIVED FROM	SUPPLY SPECIFICATIONS	
DESIGN OWNER	DATE	TITLE	Wiring oven assembly	
Electrolux	NUMBER	349 5321	REV	A
			SHEET	