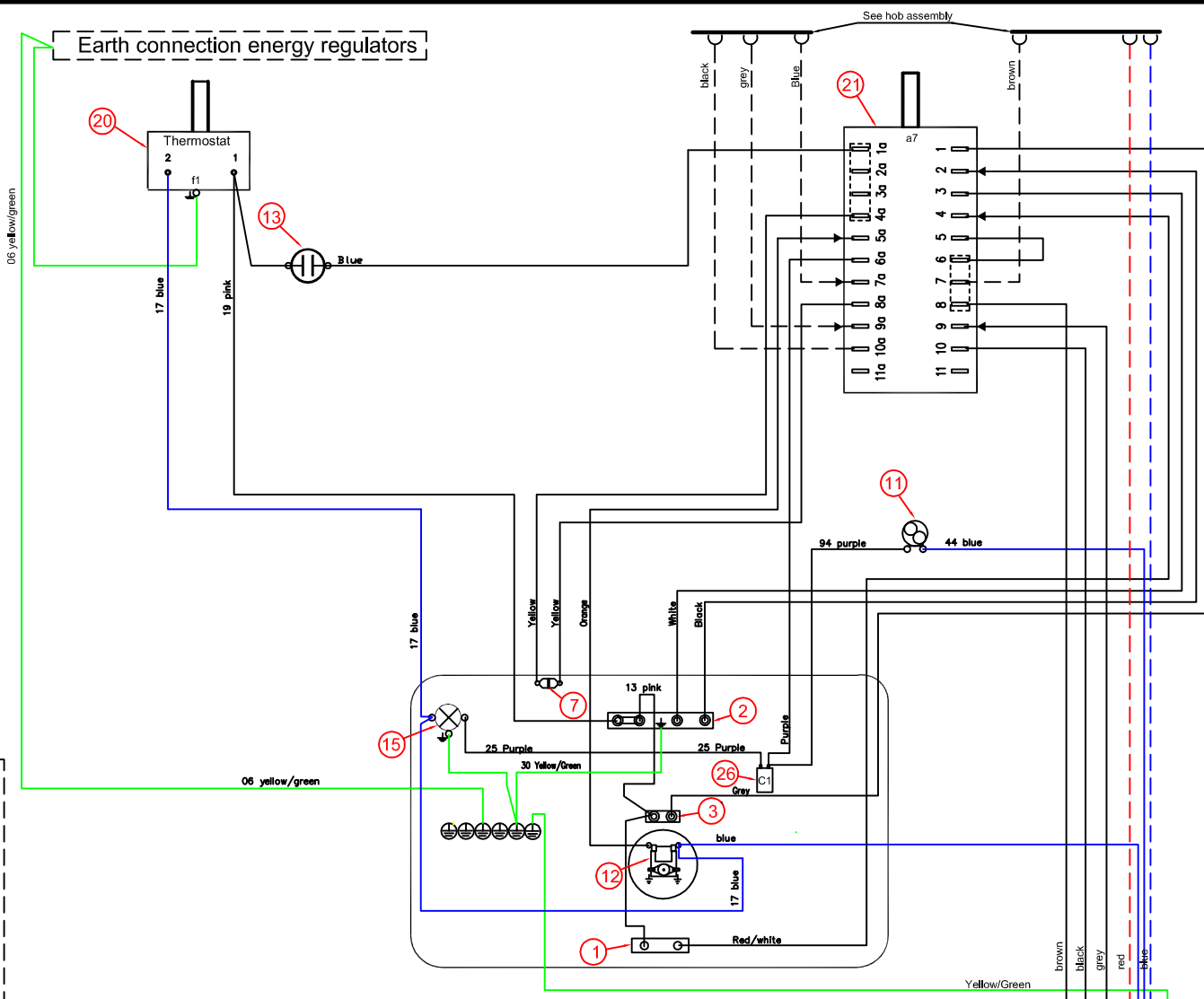
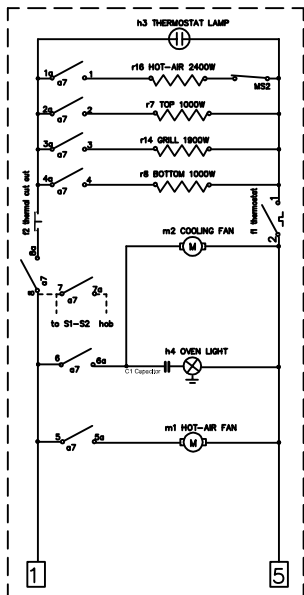


This drawing contains confidential information and is the property of Electrolux, without whose permission it shall not be reproduced, stored in a retrieval system or otherwise used and it is to be returned to the party upon request to the design owner, who is responsible for the drawing.

Items shown in this drawing must not contain substances that are banned according to Directive 2002/95/EC, the RoHS Directive. Chemicals, heavy metals and other substances are not allowed to be used in components, parts or materials according to the "Ban" or "Restrictions" according to the Electrolux Restricted Materials List.



29	-
28	-
27	-
26	1 Capacitor oven lamp 40W
25	-
24	-
23	-
22	-
21	1 Main switch/ oven function
20	1 Thermostat
19	-
18	-
17	-
16	1 Main Terminal 6 pole snap in
15	1 Oven lamp back
14	-
13	1 Thermostat lamp
12	1 Fan noise hot air oven
11	1 Cooling fan
10	-
9	-
8	-
7	-
6	1 Terminal cut out
5	-
4	-
3	1 Heating element hot air
2	1 Heating element top
1	1 Heating element bottom
POS/ANT	GENSTAND

ID	DESCRIPTION	ELUX PART NO.
	Oven selector wiring	349 4273
	INSULATION HOUSING	
	LIST OF CRIMP CONTACTS	330 1766
	Component list	330 2222

B Correction wiring to cooling fan, 94 purple		IAN	ABS 6265	2007.11.06
A First edition		S.A.H	ABS4038	2006.09.28
POS	MODIFICATIONS	SIGNATURE	REQUEST	DATE
MATERIAL	WEIGHT	DESIGN USERS	REPLACES	EUROPEAN METHOD
TREATMENT	DESIGN OWNER	DRN S.A.H	CC S.A.H	DR ONLY
	DATE 2006-09-28	APR S.A.H	RECKY B	RECKY B
TITLE		Wiring oven assembly		
Electrolux		NUMBER	349 5320	
		REV	B	
		SHEET		

349 5320-02									
VARIANT NUMBER	REPLACED NUMBER	POS	MODEL	DESIGN USERS	CHANGES FROM THE BASE NUMBER				