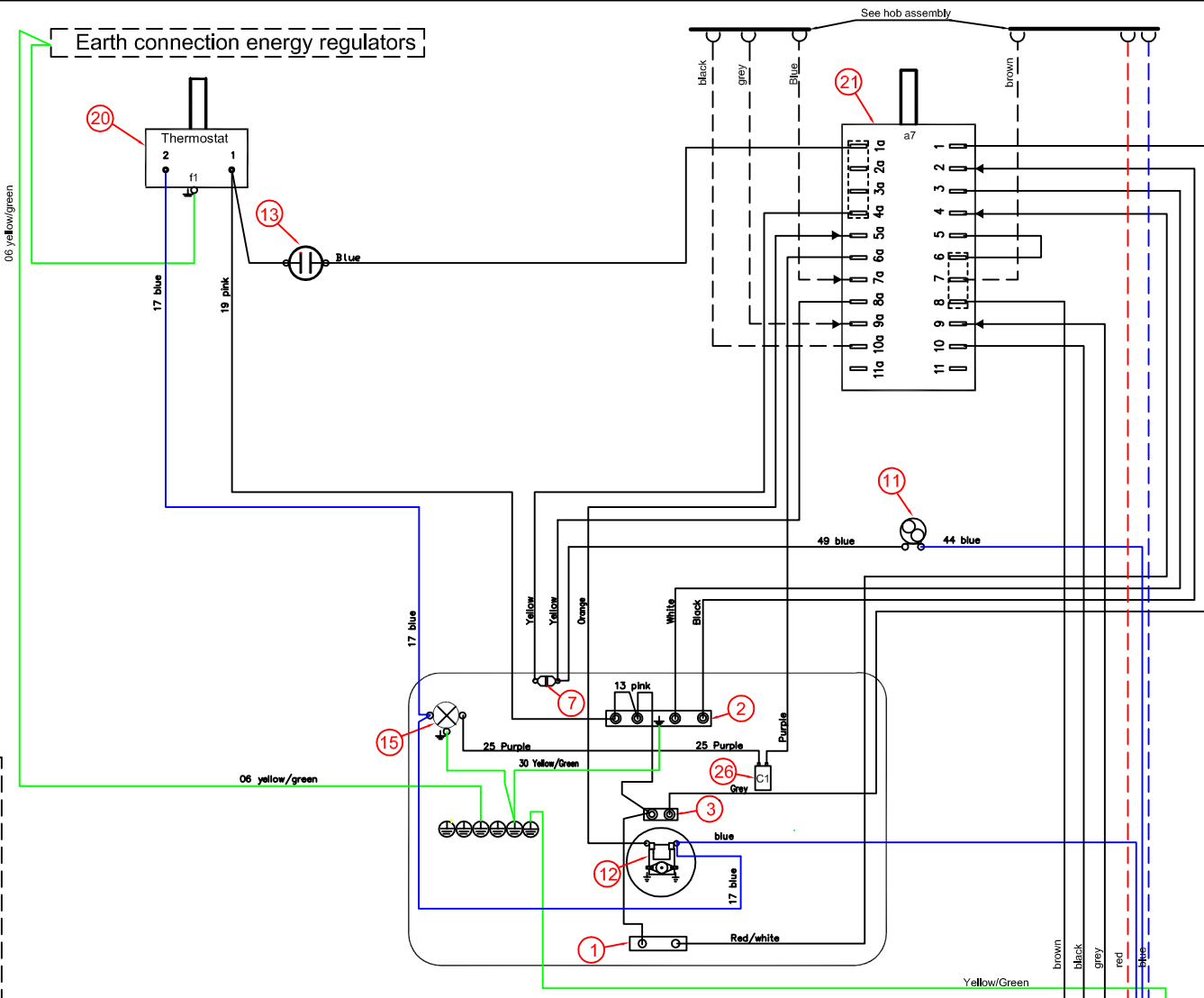
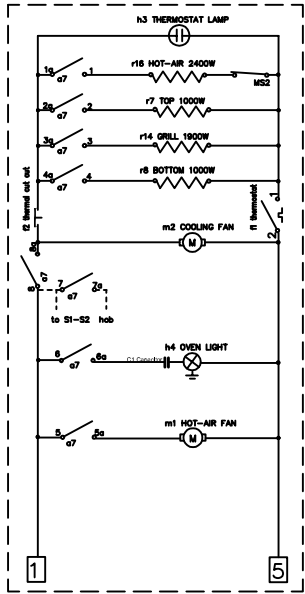


The drawing contains confidential information and is the property of Electrolux. Without whose permission it may not be copied, shown or handed to a third party without the prior written consent of Electrolux. Upon request to the design owner, who is responsible for the drawing.

Items shown in this drawing must not contain substances that are banned according to Directive 2002/95/EC, the RoHS Directive (Lead, Cadmium, Mercury, Hexavalent Chromium, Polychlorinated Biphenyls and Polybrominated Biphenyls) or "Banned" or "Restricted" according to the Electrolux Restricted Materials List.



29	-
28	-
27	-
26	1 Capacitor oven lamp 40V
25	-
24	-
23	-
22	-
21	1 Main switch/ oven function
20	1 Thermostat
19	-
18	-
17	-
16	1 Main Terminal 6 pole snap in
15	1 Oven lamp back
14	-
13	1 Thermostat lamp
12	1 Fan motor hot air oven
11	1 Cooling Fan
10	-
9	-
8	-
7	1 Terminal cut out
6	-
5	-
4	-
3	1 Heating element hot air
2	1 Heating element top
1	1 Heating element bottom
POS ANT	GENSTAND

ID	DESCRIPTION	ELUX PART NO.
	Oven selector wiring	349 4273
	INSULATION HOUSING	
	LIST OF CRIMP CONTACTS	330 1766
	Component list	330 2222

349 5320-02									
VARIANT NUMBER	REPLACED NUMBER	POS.	MODEL	DESIGN USERS	CHANGES FROM THE BASE NUMBER				

A First edition		S.A.H	ABS4038	2006.09.28
MATERIAL		MODIFICATIONS	SIGNATURE	REQUEST
TREATMENT		WEIGHT	DESIGN USERS	REPLACES
DESIGN OWNER		DATE	DATE	TITLE
-		2006-09-28	2006-09-28	Wiring oven assembly
<b>Electrolux</b>		NUMBER <b>349 5320</b>		REV <b>A</b>
				SHEET