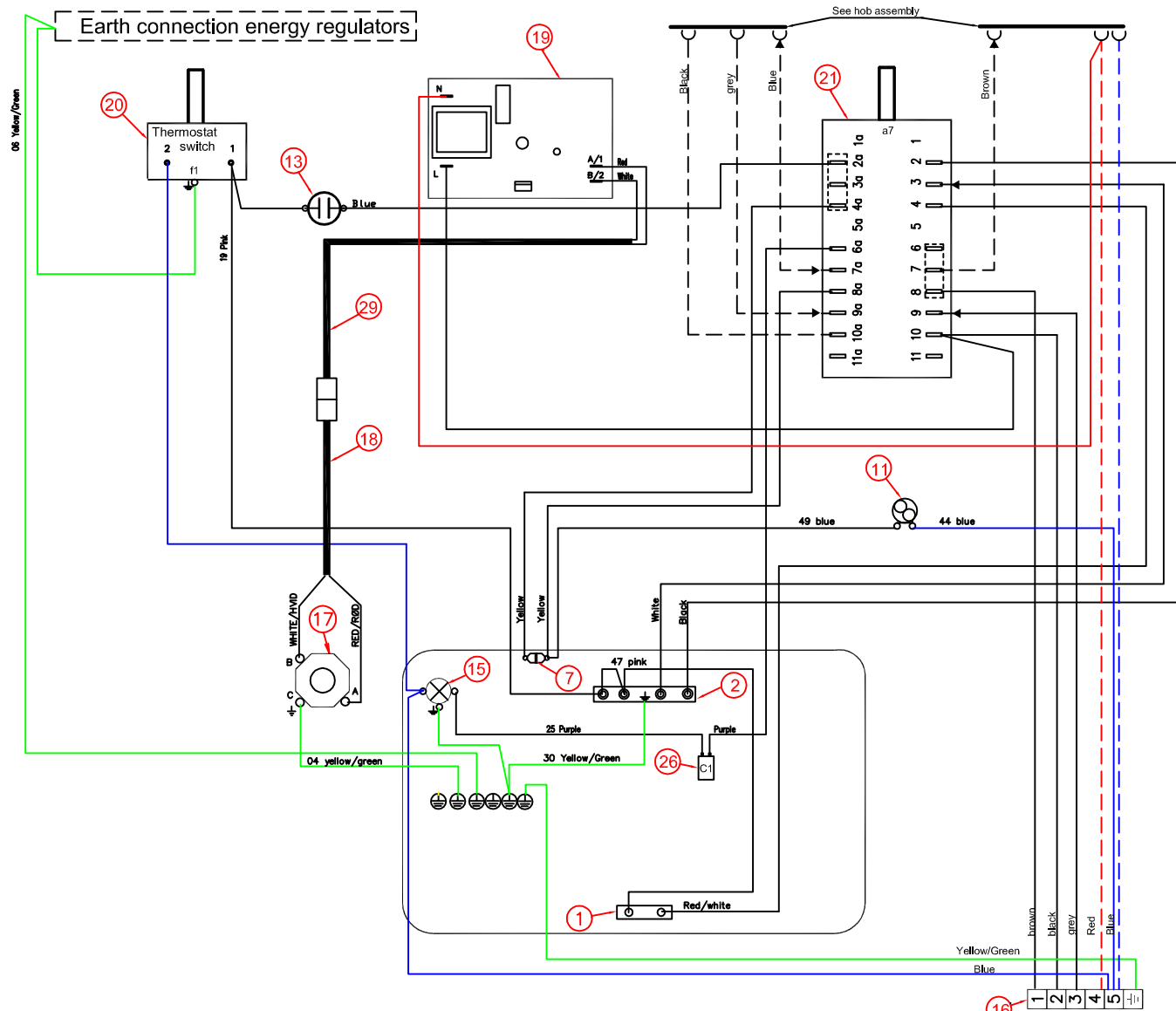
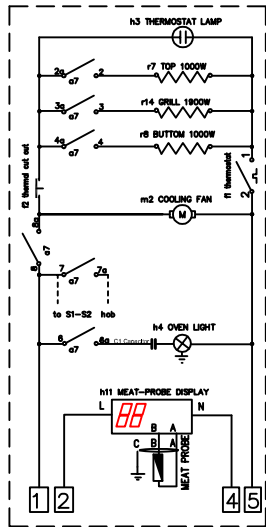


The drawing contains confidential information and is the property of Electrolux. Without whose permission it may not be copied, shown or handed to a third party. Any use of this drawing without the written consent of Electrolux upon request to the design owner, who is responsible for the drawing.

Items shown in this drawing must not contain substances that are banned according to Directive 2002/95/EC, the RoHS Directive (Lead, Cadmium, Mercury, Hexavalent Chromium, Polybrominated Biphenyls and Polybrominated Diphenyl Ethers) or "Restricted" according to the Electrolux Restricted Materials List.



29	1	Wireset MP timer
28	-	
27	-	
26	1	Capacitor oven lamp 40W
25	-	
24	-	
23	-	
22	-	
21	1	Main switch/ oven function
20	1	THERMOSTAT
19	1	HEATPROBE DISPLAY
18	1	Wireset MP socket
17	1	JACK SOCKET
16	1	TERMINAL STRIP 6 PDS.SWP
15	1	OVENLAMP TOP
14	-	
13	1	CONTROL LAMP
12	1	COOLING FAN
11	-	
10	-	
9	-	
8	-	
7	1	THERMAL CUT OUT
6	-	
5	1	THERMOSTAT/CLIXON COOLING FAN 50 GR
4	-	
3	-	
2	1	HEATINGELE TOP 1000/1900W
1	1	HEATINGELE LOWER 1000W

ID	DESCRIPTION	ELUX PART NO.
	Oven selector wiring	349 4249
	INSULATION HOUSING	330 4175
	LIST OF CRIMP CONTACTS	330 1766
	Component list	330 2222

400V

A First edition		S.A.H	ABS 4038	2006.09.28
POS	MODIFICATIONS	SIGNATURE	REQUEST	DATE
MATERIAL	WEIGHT	DESIGN USERS	REPLACES	EUROPLAN NETNO
TREATMENT	DESIGN OWNER	DERIVED FROM	SUPPLY SPECIFICATIONS	
DESIGN OWNER	DATE	TITLE	Wiring oven assembly	
Electrolux		NUMBER	349 5319	
		REV	A	
		SHEET		

349 5319-02							
VARIANT NUMBER	REPLACED NUMBER	POS	MODEL	DESIGN USERS	CHANGES FROM THE BASE NUMBER		