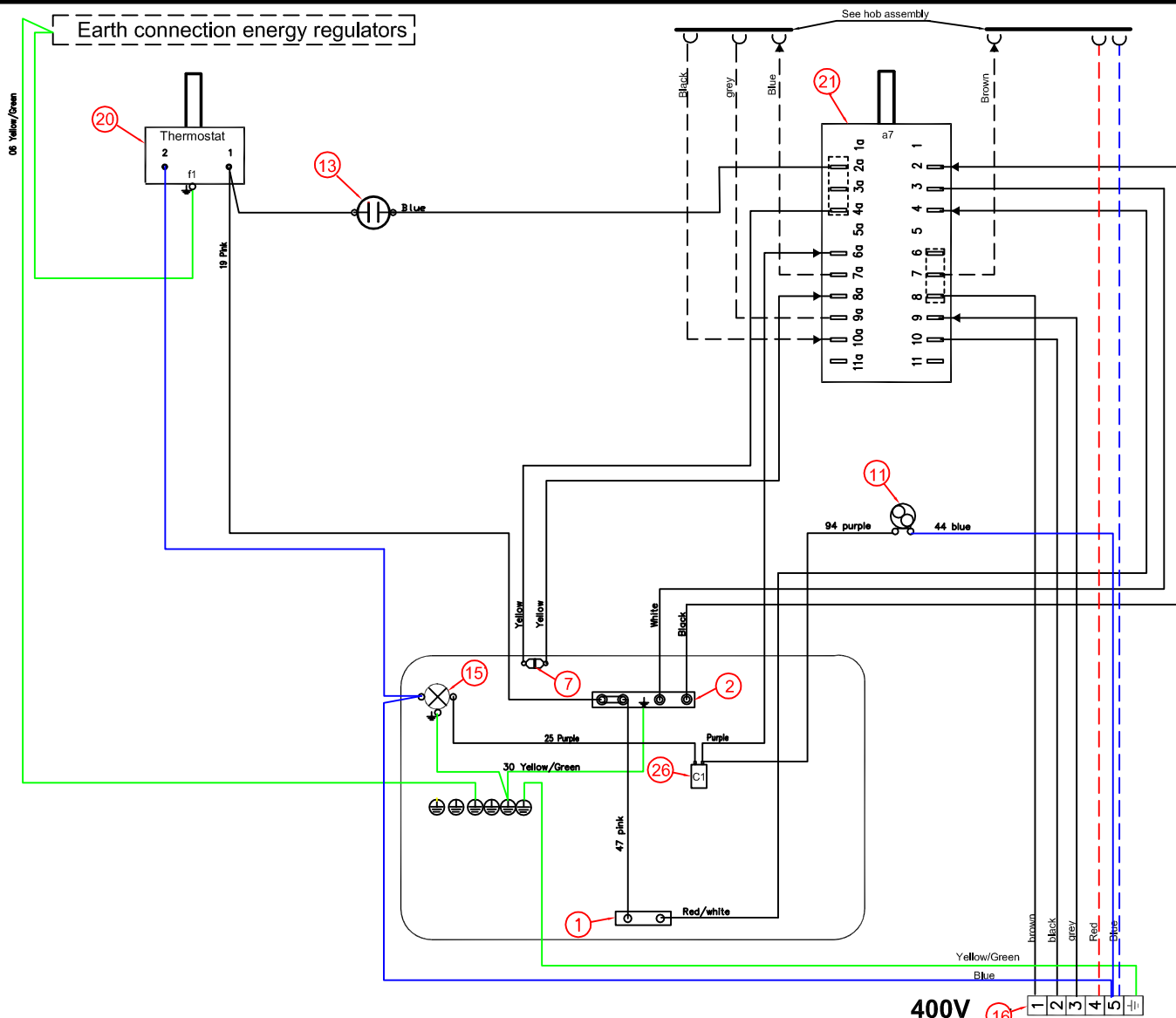
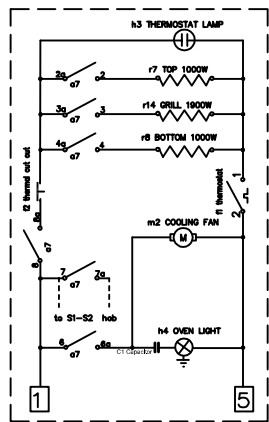


This drawing contains confidential information and is the property of Electrolux, without whose permission it may not be reproduced, stored in a retrieval system or otherwise used and it is to be returned promptly upon request to the design owner, who is responsible for the drawing.

Items shown in this drawing must not contain substances that are banned according to Directive 2002/95/EC, the RoHS Directive. Compliance with this Directive is the responsibility of the design owner. Compliance with this Directive is the responsibility of the design owner. Compliance with this Directive is the responsibility of the design owner.

GENERAL DIMENSIONS AND DIAMETERS



POS	No	Components
27		
26	1	Capacitor oven lamp 40W
25		
24		
23		
22		
21	1	Main switch/ oven function
20	1	THERMOSTAT
19		
18		
17	1	TERMINAL STRIP 6 PINS,SNAP
16	1	OVEN LAMP TOP
15	1	OVEN LAMP TIP
14		
13	1	CONTROL LAMP
12		
11	1	Cooling fan
10		
9		
8		
7	1	THERMAL CUT OUT
6		
5		
4		
3		
2	1	HEATINGELE TOP 1000/1900W
1	1	HEATINGELE LOWER 1000W

ID	DESCRIPTION	ELUX PART NO.
	Oven selector wiring	349 4245
	INSULATION HOUSING	
	LIST OF CRIMP CONTACTS	330 1766
	Component list	330 2222

VARIANT NUMBER	REPLACED NUMBER	POS	MODEL	DESIGN USERS	CHANGES FROM THE BASE NUMBER
349 5317-02					

B Correction wiring to cooling fan, 94 purple		IAN	ABS 6285	2007.10.31
A First edition		S.A.H	ABS 4038	2006.09.28
POS	MODIFICATIONS	SIGNATURE	REQUEST	DATE
MATERIAL	WEIGHT	DESIGN USERS	REPLACES	EUROPEAN METHOD
TREATMENT			DERIVED FROM	
DESIGN OWNER	DATE	DATE	APPR	TITLE
Electrolux		NUMBER		REV
		349 5318		BS
				SHEET