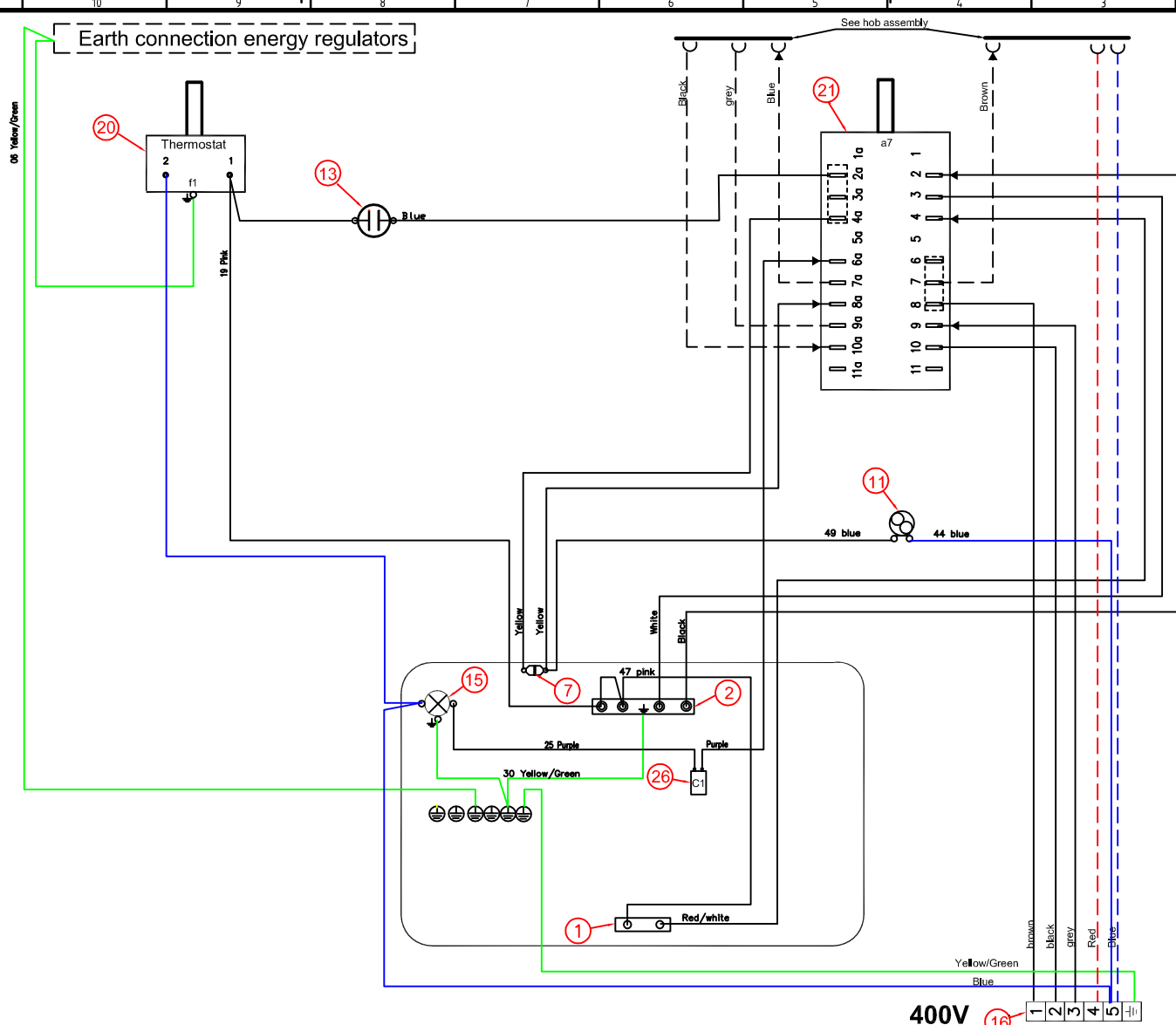
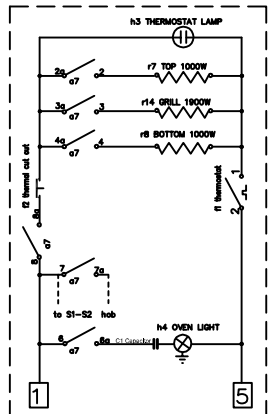


The drawing contains confidential information and is the property of Electrolux. Without whose permission it may not be copied, shown or handed to a third party. Any use of this drawing without the express written request of the design owner, who is responsible for the drawing.

Items shown in this drawing must not contain substances that are banned according to Directive 2002/95/EC, the RoHS Directive (Lead, Cadmium, Mercury, Hexavalent Chromium, Polychlorinated Biphenyls and Polybrominated Biphenyls) or "Restricted" according to the Electrolux Restricted Materials List.



POS	No	Components
27		
26	1	Capacitor oven loop 40V
25		
24		
23		
22	1	Main switch/ oven function
20	1	THERMOSTAT
19		
18		
17		
16	1	TERMINAL STRIP 6 POLS.SWAP
15	1	OVENLAMP TOP
14		
13	1	CONTROL LAMP
12		
11	1	Cooling fan
10		
9		
8		
7	1	THERMAL CUT OUT
6		
5		
4		
3		
2	1	HEATINGELE TOP 1000/1800W
1	1	HEATINGELE LOWER 1000W

ID	DESCRIPTION	ELUX PART NO.
	Oven selector wiring	349 4245
	INSULATION HOUSING	
	LIST OF CRIMP CONTACTS	330 1766
	Component list	330 2222

VARIANT NUMBER	REPLACED NUMBER	POS	MODEL	DESIGN USERS	CHANGES FROM THE BASE NUMBER
349 5317-02					

A First edition		S.A.H	ABS 4038	2006.09.28
POS	MODIFICATIONS	SIGNATURE	REQUEST	DATE
MATERIAL	WEIGHT	DESIGN USERS	REPLACES	EUROPEAN METRO
TREATMENT		DERIVED FROM	SUPPLY SPECIFICATIONS	
DESIGN OWNER	DATE	APP	REV	TITLE
ORN S.A.H	2006-09-28	S.A.H		Wiring oven assembly
				NUMBER 349 5318
				REV A SHEET