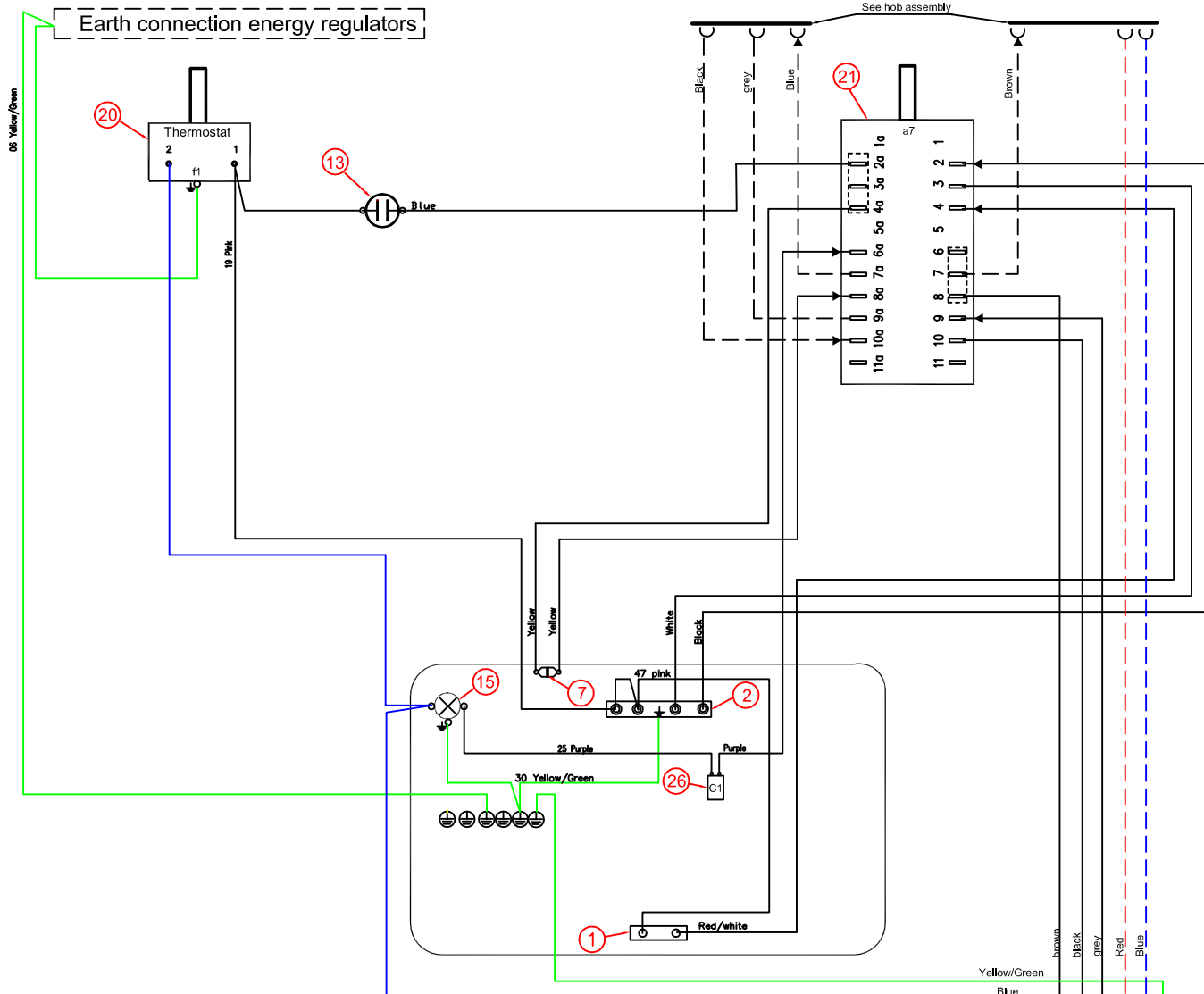


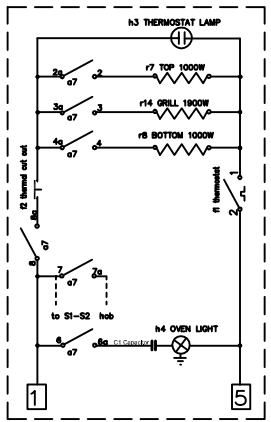
This drawing contains confidential information and is the property of Electrolux, without whose permission it may not be reproduced, stored in a retrieval system or otherwise used and it is to be returned immediately upon request to the design owner, who is responsible for the drawing.

Items shown in this drawing must not contain substances that are banned according to Directive 2002/95/EC, the RoHS Directive. The design owner, the manufacturer and the supplier are responsible for ensuring that the components, materials or "Restricted Materials List" are RoHS compliant according to the Electrolux Restricted Materials List.

Earth connection energy regulators



27	
26	1 Capacitor oven lamp 40W
25	
24	
23	
22	
21	1 Main switch/ oven function
20	1 THERMOSTAT
19	
18	
17	
16	1 TERMINAL STRIP 6 PINS,SNAP
15	1 OVEN LAMP TIP
14	
13	1 CONTROL LAMP
12	
11	
10	
9	
8	
7	1 THERMAL CUT OUT
6	
5	
4	
3	
2	1 HEATINGELE TOP 1000/1900W
1	1 HEATINGELE LOWER 1000W
POS/No	Components



ID	DESCRIPTION	ELUX PART NO.
	Oven selector wiring	349 4245
	INSULATION HOUSING	
	LIST OF CRIMP CONTACTS	330 1766
	Component list	330 2222

349 5317-02					
VARIANT NUMBER	REPLACED NUMBER	POS.	MODEL	DESIGN USERS	CHANGES FROM THE BASE NUMBER

A First edition		S.A.H	ABS 4038	2006.09.28
POS.	MODIFICATIONS	SIGNATURE	REQUEST	DATE
MATERIAL	WEIGHT	DESIGN USERS	REPLACES	EUROPEAN METHOD
TREATMENT	WEIGHT	DESIGN USERS	DERIVED FROM	
DESIGN OWNER	DATE	DATE	TITLE	SUPPLY SPECIFICATIONS
DRN S.A.H	2006-09-28	2006-09-28	Wiring oven assembly	
		NUMBER	349 5317	REV A
				SHEET