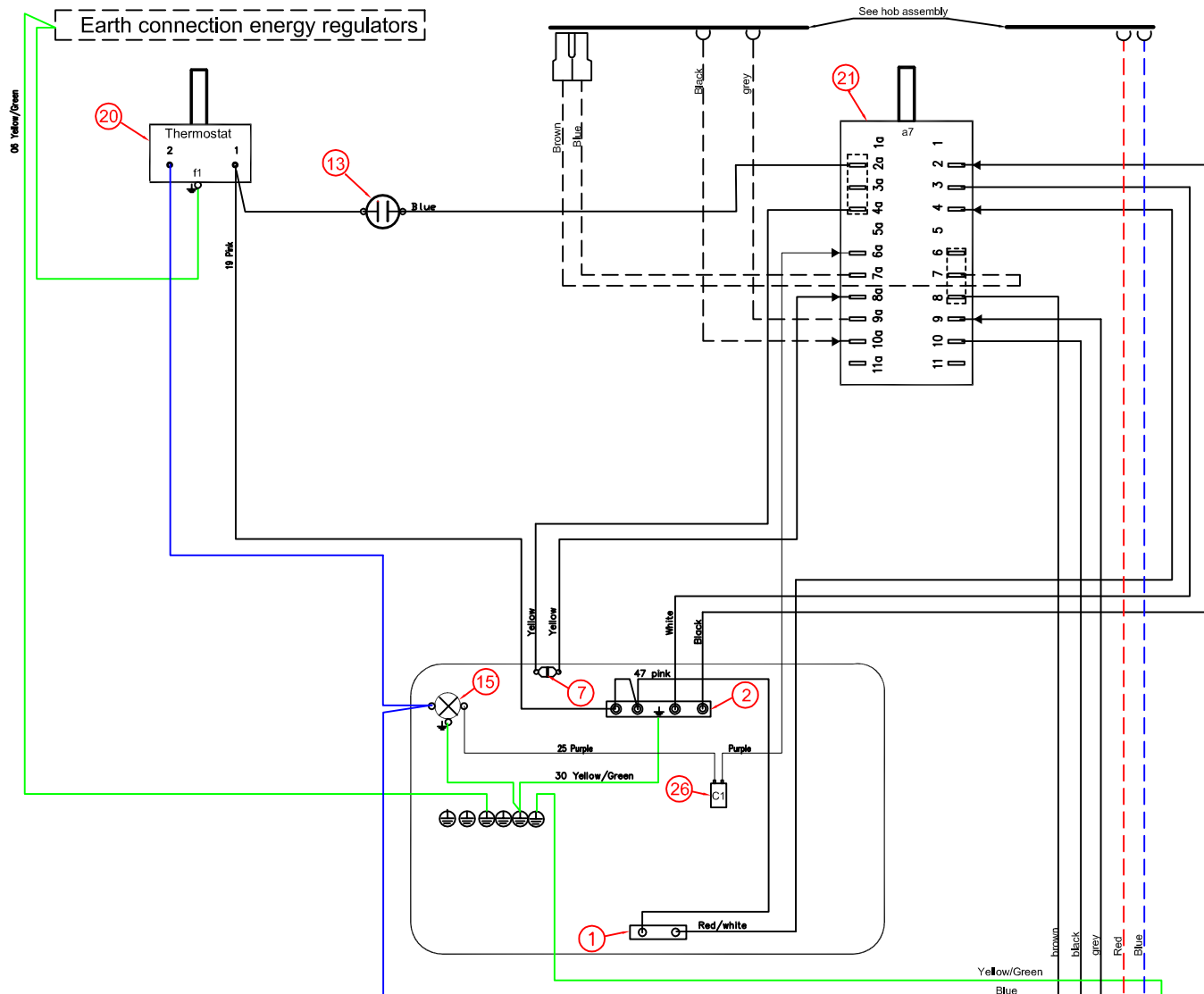
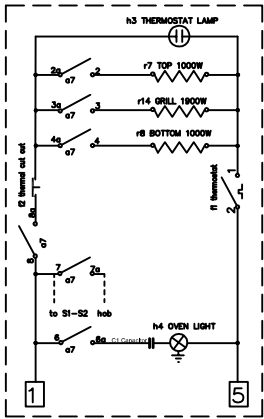


The drawing contains confidential information and is the property of Electrolux. Without whose permission it may not be copied, shown or handed to a third party without the prior written consent of Electrolux. Upon request to the design owner, who is responsible for the drawing.

Items shown in this drawing must not contain substances that are banned according to Directive 2002/95/EC, the RoHS Directive (Lead, Cadmium, Mercury, Hexavalent Chromium, Polychlorinated Biphenyls and Polybrominated Biphenyls) or "Restricted" according to the Electrolux Restricted Materials List.

GENERAL DIMENSIONS
UNITS
LENGTHS AND DIAMETERS



27	
26	1 Capacitor oven lamp 40V
25	
24	
23	
22	
21	1 Main switch/ oven function
20	1 THERMOSTAT
19	
18	
17	
16	1 TERMINAL STRIP 6 POLS.SWAP
15	1 OVENLAMP TOP
14	
13	1 CONTROL LAMP
12	
11	
10	
9	
8	
7	1 THERMAL CUT OUT
6	
5	
4	
3	
2	1 HEATINGELE TOP 1000/1800W
1	1 HEATINGELE LOWER 1000W
POS/No	Components

ID	DESCRIPTION	ELUX PART NO.
	Oven selector wiring	349 4247
	INSULATION HOUSING	
	LIST OF CRIMP CONTACTS	330 1766
	Component list	330 2222

349 5316-02							
VARIANT NUMBER	REPLACED NUMBER	POS.	MODEL	DESIGN USERS	CHANGES FROM THE BASE NUMBER		

A First edition		S.Ah	ABS 4038	2006.09.28
POS.	MODIFICATIONS	SIGNATURE	REQUEST	DATE
MATERIAL	WEIGHT	DESIGN USERS	REPLACES	EUROPEAN METRO
TREATMENT		DERIVED FROM	SUPPLY SPECIFICATIONS	
DESIGN OWNER	DATE	APP.	TITLE	Wiring oven assembly
ORN S.Ah	2006-09-28	S.Ah	Electrolux	
NUMBER	349 5316			REV A
				SHEET