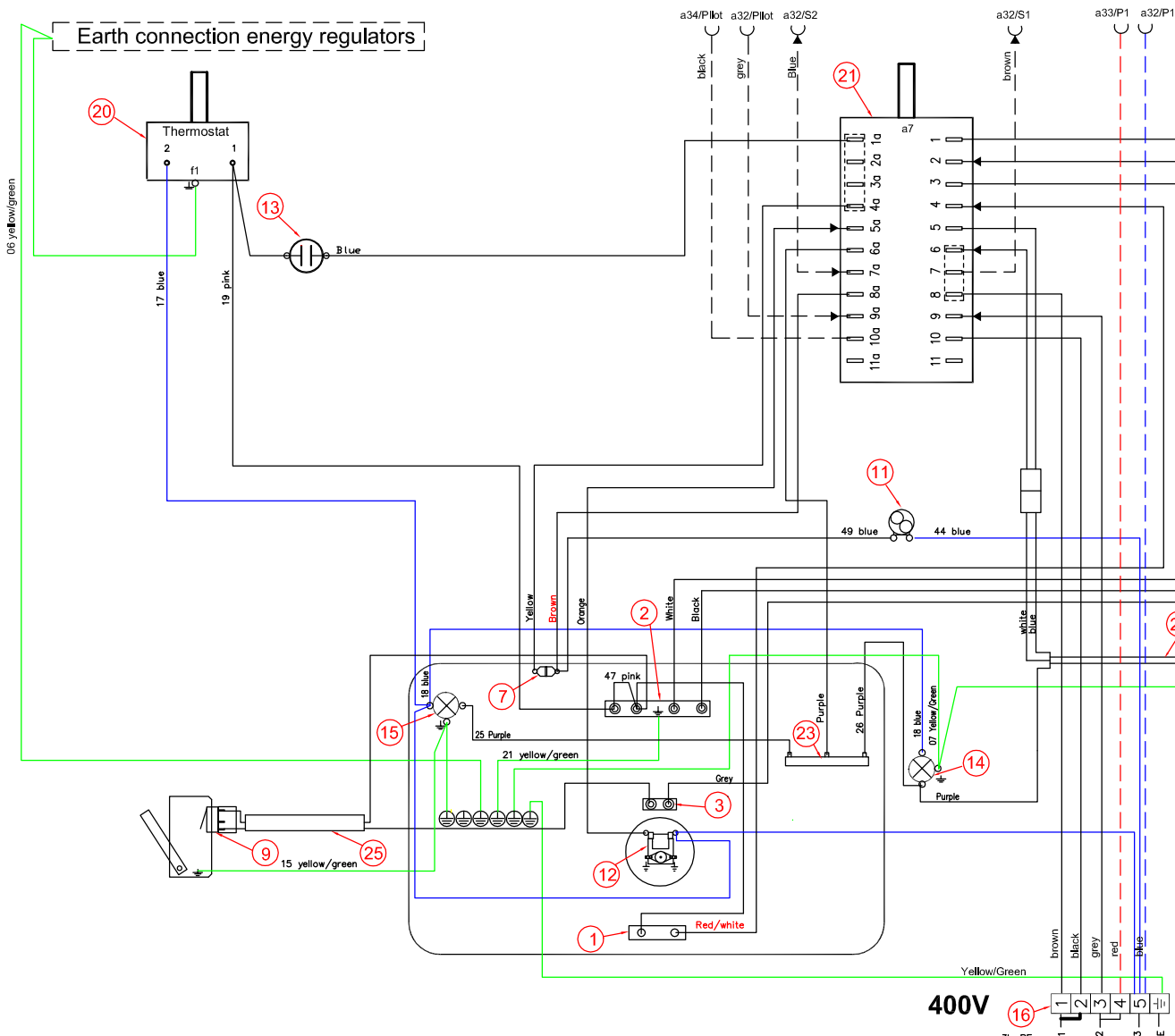
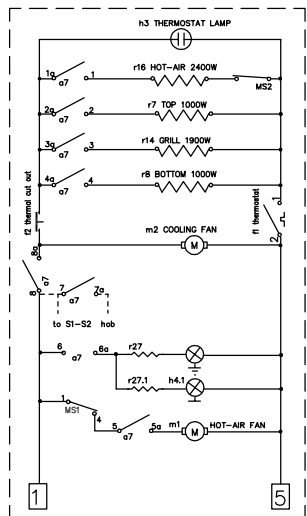


This drawing contains confidential information and is the property of Electrolux. Without whose permission it is not to be reproduced, distributed, copied or otherwise used and it is to be returned immediately upon request to the design owner, who is responsible for the drawing.

Items shown in this drawing must not contain substances that are banned according to Directive 2002/95/EC, the RoHS Directive. Chemicals, heavy metals and other substances are not to be used in the design or production of components, parts or assemblies, unless they are "Exempted" or "Restricted" according to the Electrolux Restricted Materials List.



25	1	WIRESET DOORSWITCH hot air element
24	1	WIRESET DOORSWITCH
23	1	Power resistor
22	-	
21	1	Main switch/ oven function
20	1	THERMOSTAT
19	-	
18	-	
17	-	
16	1	TERMINAL STRIP 6 PINS, SNAP
15	1	OVEN LAMP TOP
14	1	OVEN LAMP SIDE
13	1	THERMOSTAT LAMP
12	1	FANMOTOR HOTAIR/OVEN
11	1	COOLING FAN
10	-	
9	2	MICROSWITCH FAN/LIGHT
8	-	
7	1	THERMAL CUT OUT
6	-	
5	-	
4	-	
3	1	HEATINGELE HOTAIR 2400W
2	1	HEATINGELE TDP 1000/1900W
1	1	HEATINGELE LOWER 1000W
POS	ANT	GENSTAND

ID	DESCRIPTION	ELUX PART NO.
	Wiring list harness	349 4565
	Oven selector wiring	349 4234
▶	INSULATION HOUSING	
	LIST OF CRIMP CONTACTS	330 1766
	Component list	330 2222

349 4233-02	ABS 6160				
VARIANT NUMBER	REPLACED NUMBER	POS.	MODEL	DESIGN USERS	CHANGES FROM THE BASE NUMBER

A First edition		S.A.H	ABS 3100	2006.03.31
POS	MODIFICATIONS	SIGNATURE	REQUEST	DATE
MATERIAL	WEIGHT	DESIGN USERS	REPLACES	EUROPEAN METHOD
TREATMENT			DERIVED FROM	
DESIGN OWNER	DRN S.A.H	CP S.A.H	SRBURY	MM
	DATE 2006-03-31	APP S.A.H	ROCHELLE	REKLE
TITLE				Wiring oven assembly
			NUMBER	349 5193
			REV	A
			SHEET	