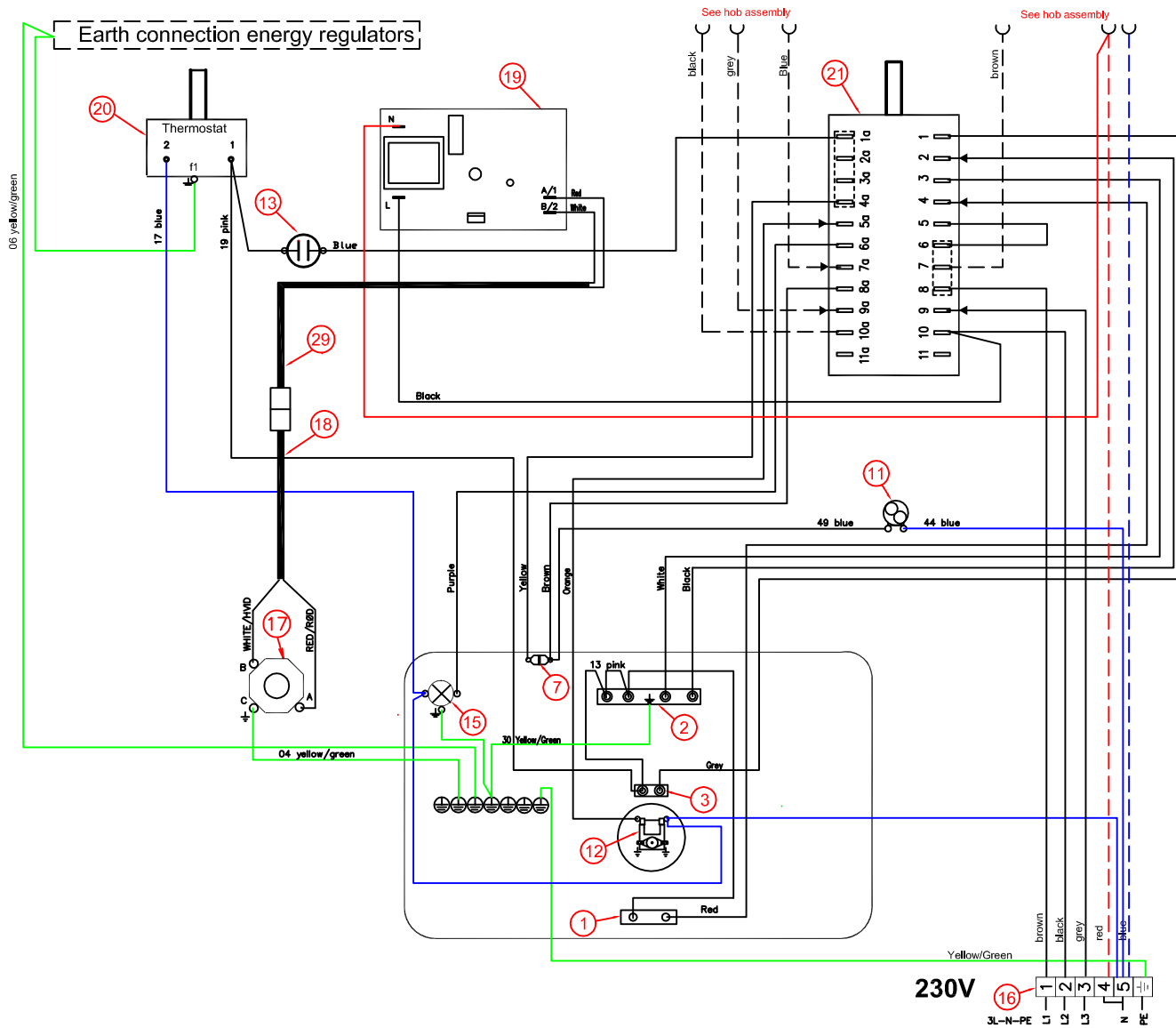
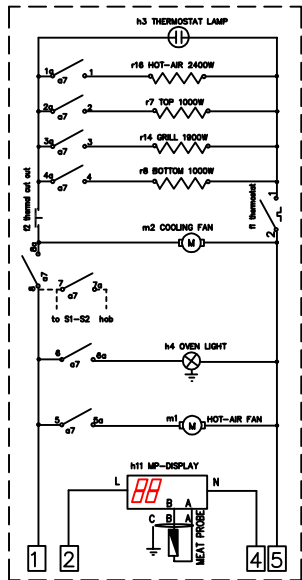


This drawing contains confidential information and is the property of Electrolux. It is to be used only for the purposes shown or those to which it may be otherwise used and it is to be returned promptly to the design owner, who is responsible for the drawing.

Items shown in this drawing must not contain substances listed in Annex II of the RoHS Directive (Lead, Cadmium, Mercury, Hexavalent Chromium, PBB and PBDE), or substances classified as "Banned" or "Restricted" according to the Electrolux Restricted Materials List.



| Pos | No | Components                    |
|-----|----|-------------------------------|
| 29  | 1  | Wireset HP timer              |
| 28  | -  | -                             |
| 27  | -  | -                             |
| 26  | -  | -                             |
| 25  | -  | -                             |
| 24  | -  | -                             |
| 23  | -  | -                             |
| 22  | -  | -                             |
| 21  | 1  | Function switch/ Main switch  |
| 20  | 1  | Thermostat oven               |
| 19  | 1  | Heatprobe display             |
| 18  | 1  | Wireset HP socket             |
| 17  | 1  | back socket                   |
| 16  | 1  | Main terminal 6 Pole, snap in |
| 15  | 1  | Oven lamp back panel          |
| 14  | -  | -                             |
| 13  | 1  | Control Lamp oven             |
| 12  | 1  | Fan Motor Hot Air Oven        |
| 11  | 1  | Cooling fan                   |
| 10  | -  | -                             |
| 9   | -  | -                             |
| 8   | -  | -                             |
| 7   | -  | -                             |
| 6   | -  | -                             |
| 5   | -  | -                             |
| 4   | -  | -                             |
| 3   | 1  | Heating element hot air       |
| 2   | 1  | Heating element top           |
| 1   | 1  | Heating element lower         |

| ID | DESCRIPTION            | ELUX PART NO. |
|----|------------------------|---------------|
|    | Wiring list            | 349 5192      |
|    | Oven selector wiring   | 349 5190      |
|    | INSULATION HOUSING     |               |
|    | LIST OF CRIMP CONTACTS | 330 1766      |
|    | Component list         | 330 2222      |

|                                   |               |                              |                       |                      |
|-----------------------------------|---------------|------------------------------|-----------------------|----------------------|
| C Connection points to hob change |               | S.A.H                        | ABS4239               | 2006.11.10           |
| B Correction                      |               | S.A.H                        | ABS3582               | 2006.06.29           |
| MATERIAL                          | MODIFICATIONS | MODEL                        | SCALE                 | EUROPEAN METHOD      |
| TREATMENT                         | WEIGHT        | DESIGN USERS                 | REPLACES              |                      |
| DESIGN OWNER                      | DATE          | APPR                         | SUPPLY SPECIFICATIONS |                      |
| Electrolux                        |               | TITLE                        |                       | Wiring oven assembly |
| 349 5189-02                       |               | NUMBER                       |                       | 349 5189             |
| VARIANT NUMBER                    |               | REPLACED NUMBER              |                       | REV C                |
| POS.                              |               | MODEL                        |                       | SHEET                |
| DESIGN USERS                      |               | CHANGES FROM THE BASE NUMBER |                       |                      |