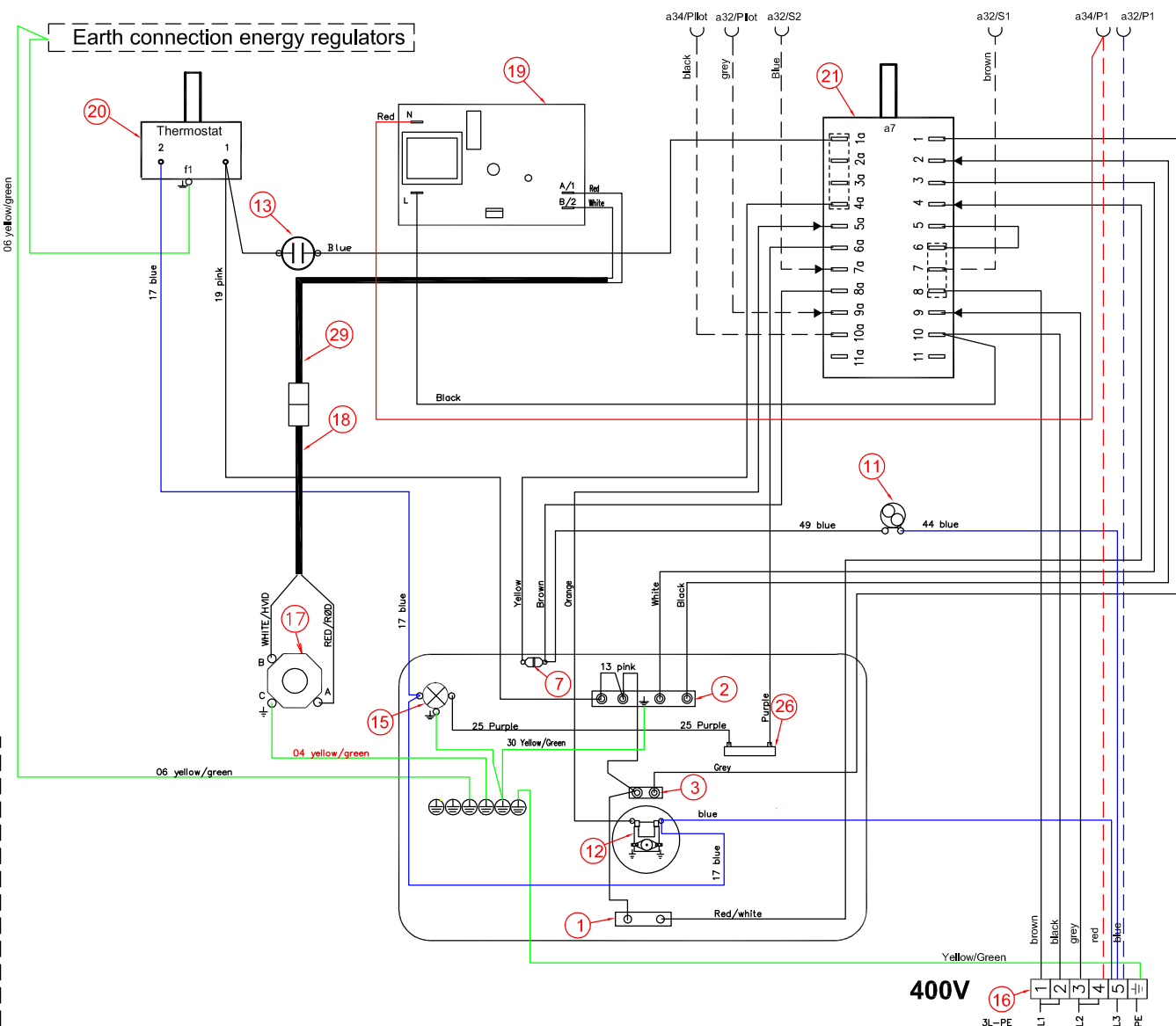
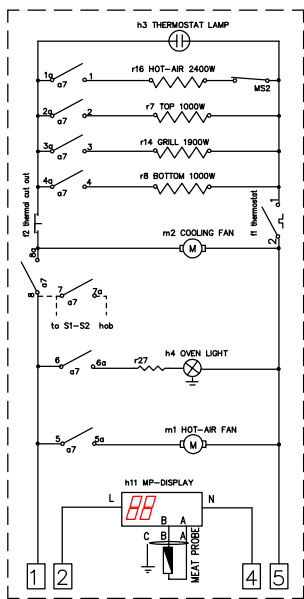


This drawing contains confidential information and is the property of Electrolux, without whose permission it may not be reproduced, stored in a retrieval system or otherwise used and it is to be returned to the party upon request to the design owner, who is responsible for the drawing.

Items shown in this drawing must not contain substances that are banned according to Directive 2002/95/EC, the RoHS Directive. Chemical composition information on the parts and materials used in this drawing must be provided in the form of a "Banned" or "Restrictive" according to the Electrolux Restricted Materials List.



29	1	Wire set neat probe timer
28	-	
27	-	
26	1	Resistor near oven lamp 40W
25	-	
24	-	
23	-	
22	-	
21	1	Main switch/ oven function
20	1	Thermostat
19	1	Meat probe display
18	1	Wire set neat probe socket
17	1	Jack socket
16	1	Main Terminal 6 pole snap in
15	1	Oven lamp back
14	-	
13	1	Thermostat lamp
12	1	Fan motor hot air oven
11	1	Cooling fan
10	-	
9	-	
8	-	
7	-	
6	1	Terminal cut out
5	-	
4	-	
3	1	Heating element hot air
2	1	Heating element top
1	1	Heating element bottom

ID	DESCRIPTION	ELUX PART NO.
	Wiring list	349 5191
	Oven selector wiring	349 5190
	INSULATION HOUSING	
	LIST OF CRIMP CONTACTS	330 1766
	Component list	330 2222

B Add wire pos 4, meat probe- component plate		S.Ahl	ABS3194	2006.04.25
A First edition		S.Ahl	ABS3093	2006.03.29
POS.	MODIFICATIONS	SIGNATURE	REQUEST	DATE
MATERIAL	WEIGHT	DESIGN USERS	REPLACES	EUROPEAN METHOD
TREATMENT	DESIGN OWNER	DRN S.Ahl	CC S.Ahl	REPLY S.Ahl
	DATE	2006-03-29	APR S.Ahl	REPLY S.Ahl
TITLE		Wiring oven assembly		
<b>Electrolux</b>		NUMBER	349 5188	
		REV	B	
		SHEET		

349 5188-02							
VARIANT NUMBER	REPLACED NUMBER	POS.	MODEL	DESIGN USERS	CHANGES FROM THE BASE MODEL		