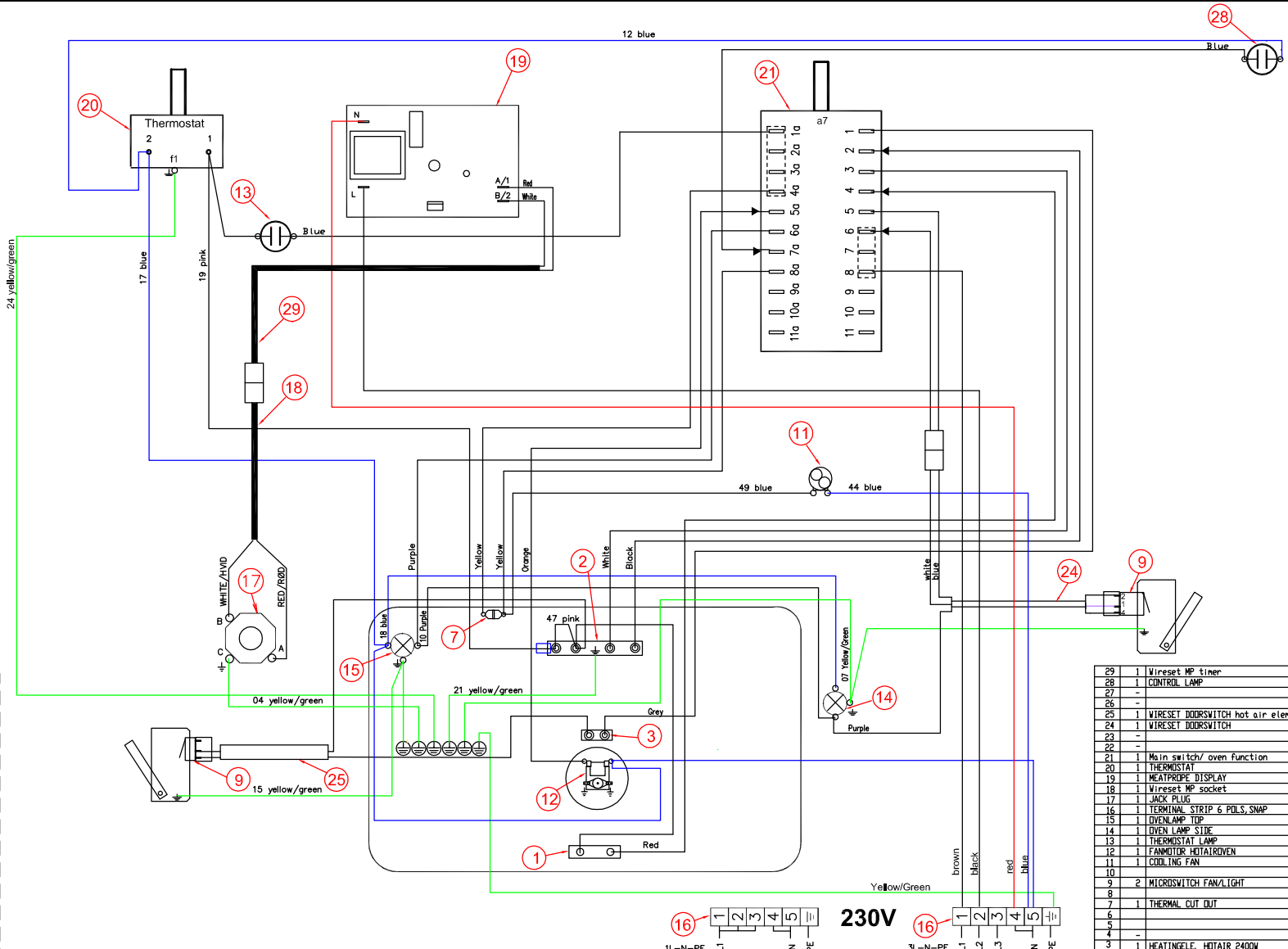
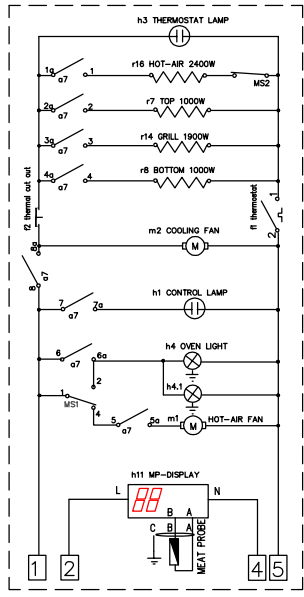


This drawing contains confidential information and may not be copied, shown or handed to a third party or otherwise used and it is to be returned promptly to the design office. This is the responsibility of the design office.

These items in this drawing are not subject to substances that are banned according to Directive 2002/95/EC (the RoHS Directive (Lead, Cadmium, Mercury, hexavalent Chromium, PBB and PBDE)) or substances classified as Restricted Materials List according to the Electrolux Restricted Materials List.



29	1	Wireset MP timer
28	1	CONTROL LAMP
27	-	-
26	-	-
25	1	WIRESSET DOORSWITCH hot air element
24	1	WIRESSET DOORSWITCH
23	-	-
22	-	-
21	1	Main switch/ oven function
20	1	THERMOSTAT
19	1	MEATPROBE DISPLAY
18	1	Wireset MP socket
17	1	JACK PLUG
16	1	TERMINAL STRIP 6 POLS. SNAP
15	1	OVEN LAMP TOP
14	1	OVEN LAMP SIDE
13	1	THERMOSTAT LAMP
12	1	FANMOTOR HOTAIRDRVEN
11	1	COOLING FAN
10	-	-
9	2	MICROSWITCH FAN/LIGHT
8	-	-
7	1	THERMAL CUT OUT
6	-	-
5	-	-
4	-	-
3	1	HEATINGELEMENT HOTAIR 2400W
2	1	HEATINGELEMENT TOP 1000/1900W
1	1	HEATINGELEMENT LOWER 1000W
POS/ANT	GENSTAND	

ID	DESCRIPTION	ELUX PART NO.
	Oven selector wiring	349 4649
	INSULATION HOUSING	
	LIST OF CRIMP CONTACTS	330 1766
	Component list	330 2222

349 4178-02	ABS 6113	POS.	MODEL	DESIGN USERS	CHANGES FROM THE BASE NUMBER
VARIANT NUMBER	REPLACED NUMBER				

A first edition		S.A.H	ABS 3100	2006.04.01
MATERIAL	MODIFICATIONS	SIGNATURE	REQUEST	DATE
TREATMENT	WEIGHT	DESIGN USERS	REPLACES	DERIVED FROM
DESIGN OWNER	ORN S.A.H	OP S.A.H	PROJEKT S.A.H	PROJEKT S.A.H
DATE	2006-04-01	APP S.A.H	EXZK 10	TITLE
				NUMBER
				349 5185
				REV A
				SHEET