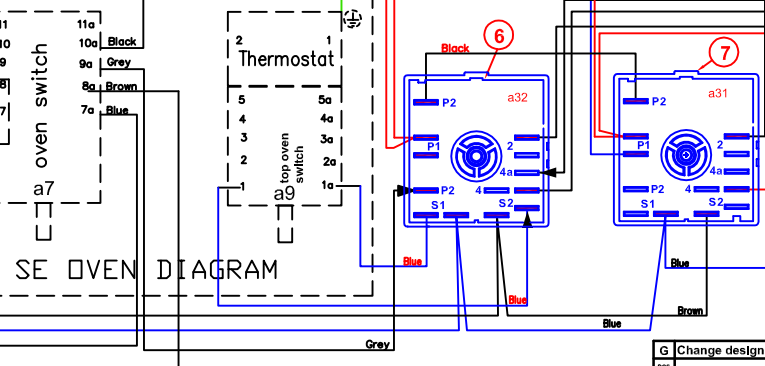
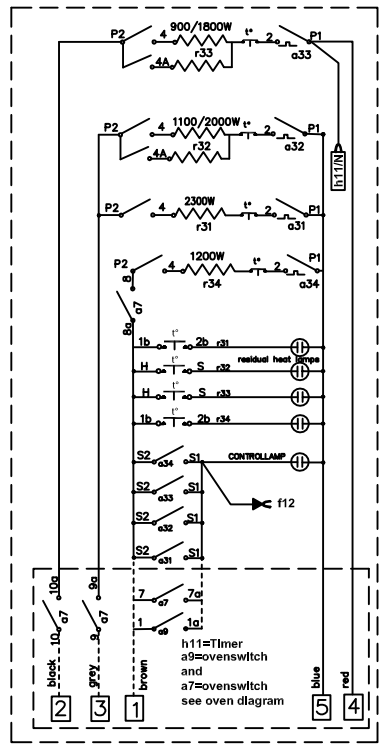
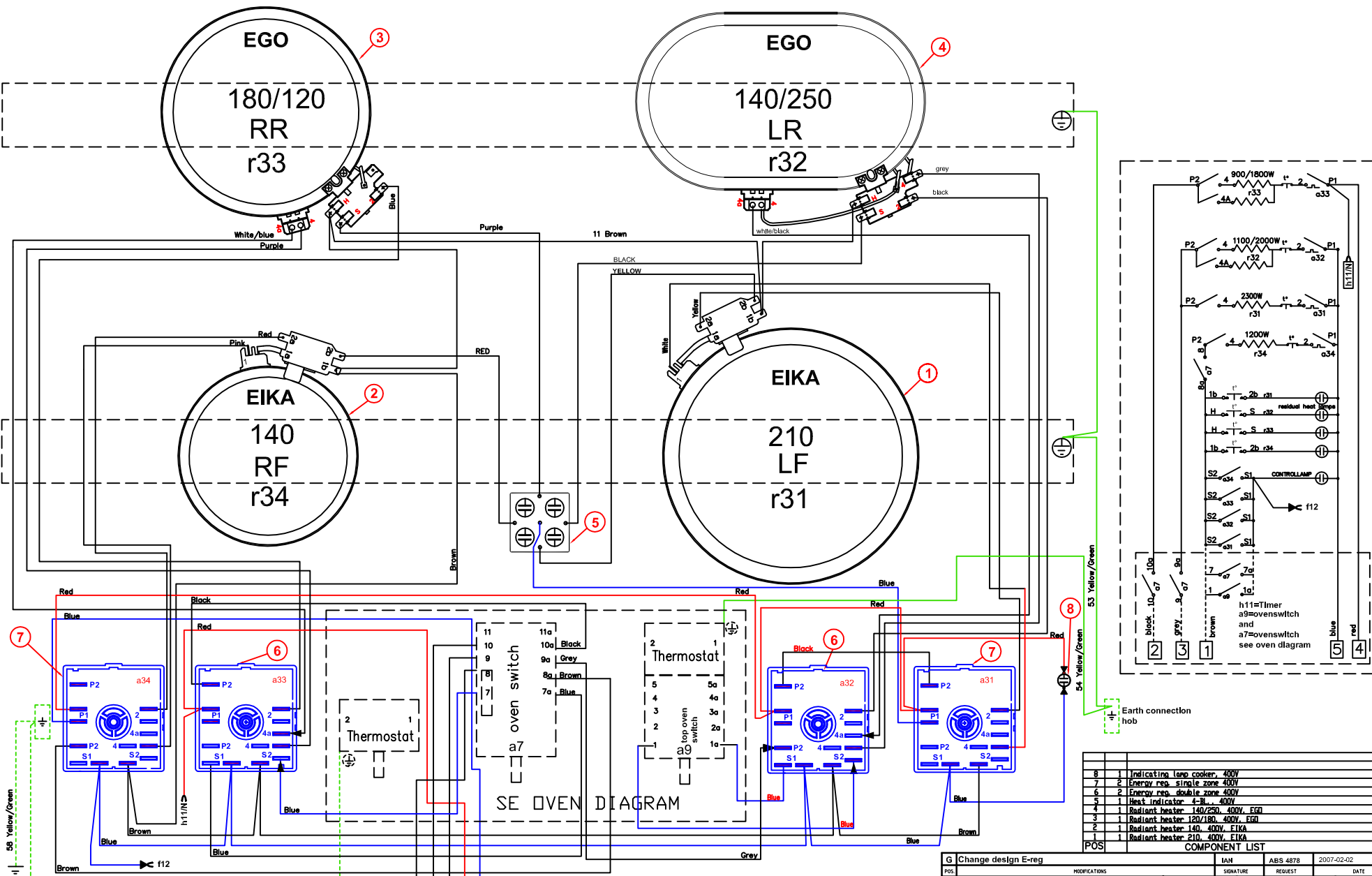


This drawing contains confidential information and is the property of Electrolux. Without whose permission it shall not be reproduced, stored in a retrieval system or otherwise used and it is to be returned immediately upon request to the design owner, who is responsible for the drawing.

Items shown in this drawing must not contain substances that are banned according to Directive 2002/95/EC, the RoHS Directive. Certain components may be exempt from this prohibition. For more information, please refer to the "Banned" or "Restricted Materials List".



POS	QTY	DESCRIPTION
8	1	Indicating lamp cooker, 400V
7	2	Energy rep. single zone 400V
6	2	Energy rep. double zone 400V
5	1	Heat indicator 4-RL... 400V
4	1	Radiant heater 140/250, 400V, EGO
3	1	Radiant heater 180/180, 400V, EGO
2	1	Radiant heater 140, 400V, EIKA
1	1	Radiant heater 210, 400V, EIKA

ID	DESCRIPTION	ELUX PART NO.
	Hob wiring cpl.	349 5148 05
	INSULATION HOUSING	330 4175
	LIST OF CRIMP CONTACTS	330 1766
	Component list	330 2222

VARIANT NUMBER	REPLACED NUMBER	POS.	MODEL	DESIGN USERS	CHANGES FROM THE BASE NUMBER
349 5152-01					

FRONT SEEN FROM BOTTOM  
SIR HC60:3/HC70:3, 400V,

G Change design E-reg		IAN	ABS 4878	2007-02-02
POS.	MODIFICATIONS	SIGNATURE	REQUEST	DATE
MATERIAL	WEIGHT	DESIGN USERS	REPLACES	EUROPEAN METHOD
DESIGN OWNER	DATE 2006-03-03	APP. S.A.H	REVISION	SUPPLY SPECIFICATIONS
TITLE: Wiring hob assembly				REV: G
				NUMBER: 349 5152