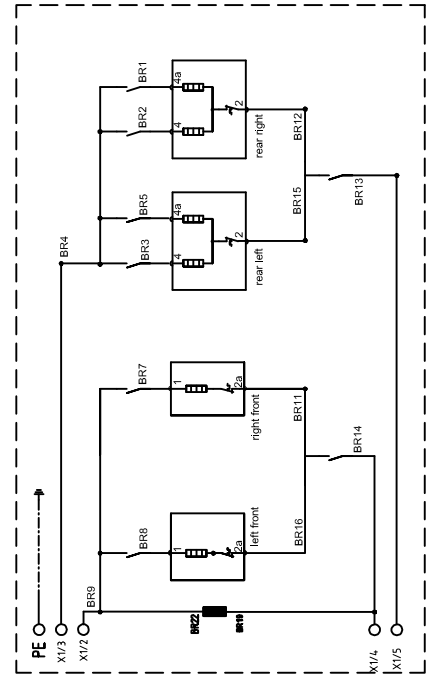
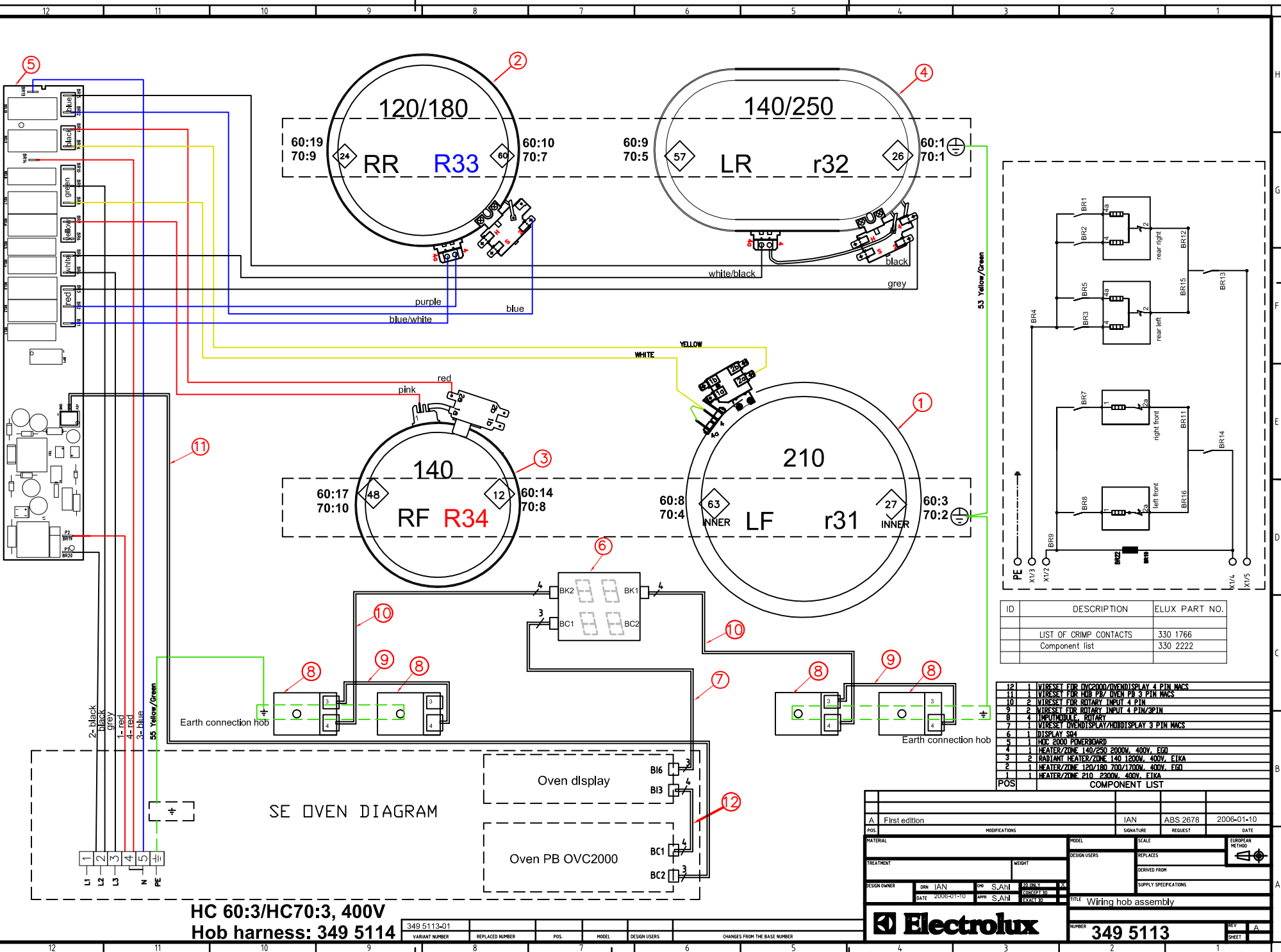


This drawing contains confidential information and is the property of Electrolux, without whose permission it shall not be reproduced, stored in a retrieval system or otherwise used and it is to be returned immediately upon request to the design owner, who is responsible for the drawing.

Items shown in this drawing must not contain substances that are banned according to Directive 2002/95/EC, the RoHS Directive. Components, materials, processes and PCBs used must be RoHS compliant. Components, materials, processes and PCBs used must be RoHS compliant. Components, materials, processes and PCBs used must be RoHS compliant. Components, materials, processes and PCBs used must be RoHS compliant.



ID	DESCRIPTION	ELUX PART NO.
	LIST OF CRIMP CONTACTS	330 1766
	Component list	330 2222

POS	QTY	DESCRIPTION	ELUX PART NO.
12	1	WIRESET FIR OVC2000/OVENDISPLAY 4 PIN MACS	
11	3	WIRESET FIR HOV PB/OVEN PB 3 PIN MACS	
10	3	WIRESET FIR ROTARY INPUT 4 PIN	
9	2	WIRESET FIR ROTARY INPUT 4 PIN/3PIN	
8	4	INPUT MODULE, ROTARY	
7	1	WIRESET OVENDISPLAY/HOVDISPLAY 3 PIN MACS	
6	1	DISPLAY SH	
5	1	HEAT 2000 POWERBOARD	
4	1	HEATER/ZONE 140/250 2000W, 400V, EKA	
3	2	RADIANT HEATER/ZONE 140 1200W, 400V, EKA	
2	1	HEATER/ZONE 120/180 700/1700W, 400V, EKA	
1	1	HEATER/ZONE 210 2300W, 400V, EKA	

A First edition		IAN	ABS 2678	2006-01-10
POS	MODIFICATIONS	SIGNATURE	REQUEST	DATE
MATERIAL	WEIGHT	DESIGN USERS	REPLACES	EUROPEAN METHOD
DESIGN OWNER	DRN IAN	CP S.A.H	CONCEPT	MA
DATE	2006-01-10	APP S.A.H	EXCUSE	REVISION
TITLE: Wiring hob assembly				REVISION: A
Electrolux				NUMBER: 349 5113

HC 60:3/HC70:3, 400V
Hob harness: 349 5114

VARIANT NUMBER	REPLACED NUMBER	POS	MODEL	DESIGN USERS	CHANGES FROM THE BASE NUMBER
349 5113-01					

GENERAL TOLERANCES
ANGLES
DIMENSIONS AND DIMETERS
DF424