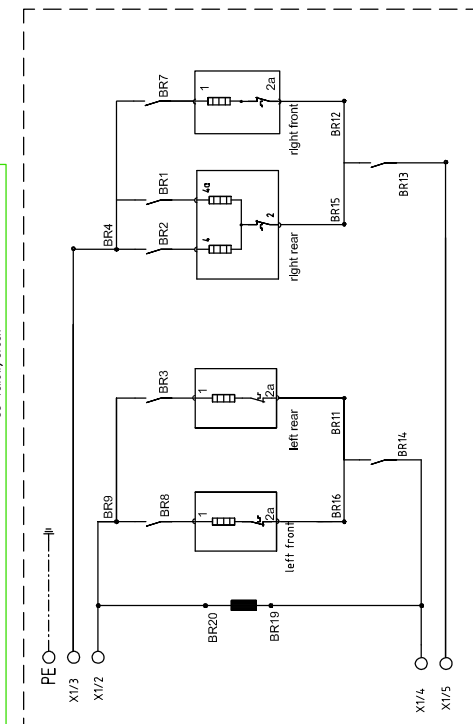
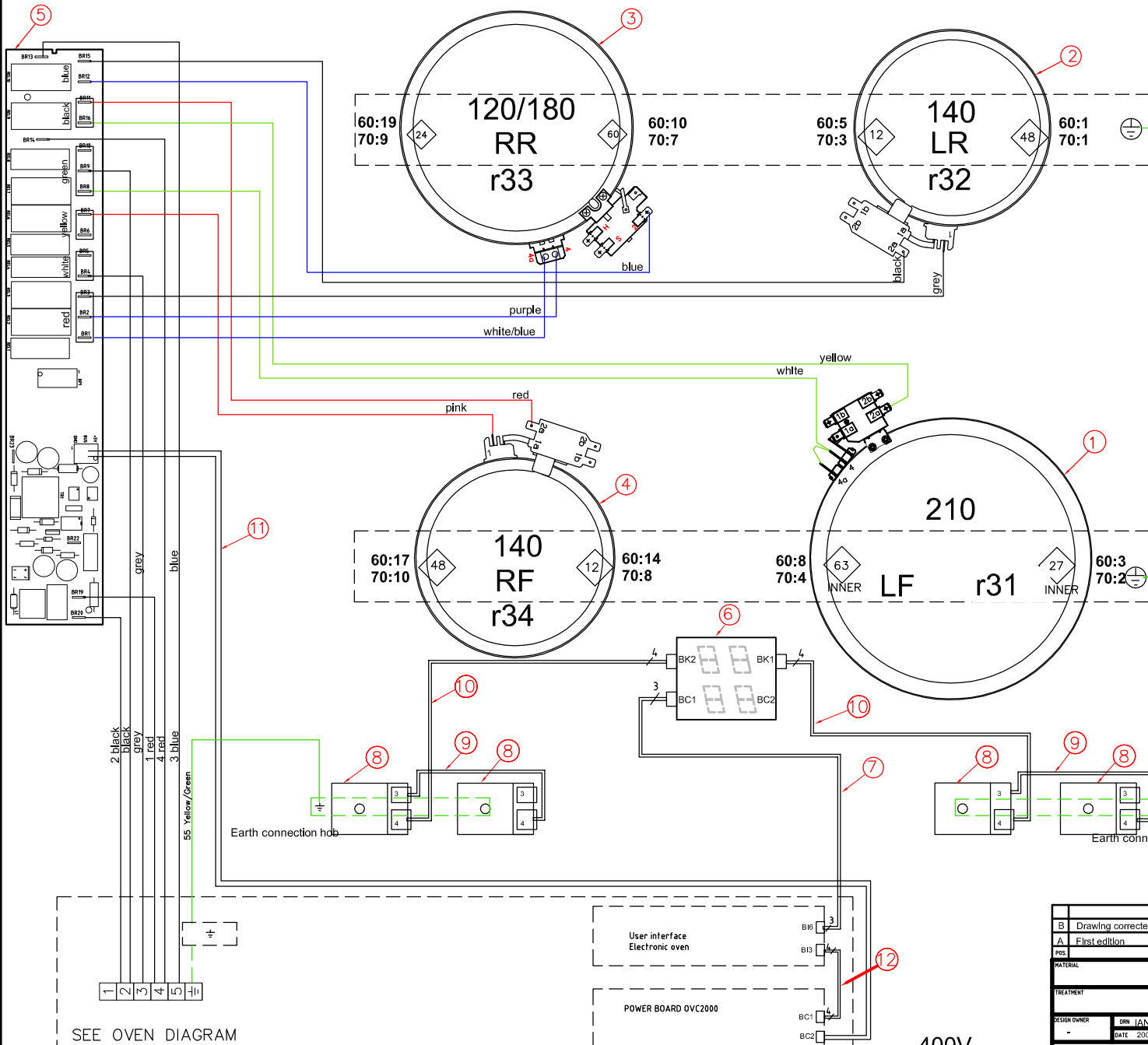


This drawing contains confidential information and is the property of Electrolux. Without whose permission it may not be copied, shown or handed to a third party or used in any way without the express written request upon request to the design owner, who is responsible for the drawing.

Items shown in this drawing must not contain substances that are banned according to Directive 2002/95/EC, the RoHS Directive (Lead, Cadmium, Mercury, Hexavalent Chromium, Polychlorinated Biphenyls, Polybrominated Diphenyl Ethers) or "Restrictive" according to the Electrolux Restricted Materials List.



ID	DESCRIPTION	ELUX PART NO.
	Wiring list	349 4180
	LIST OF CRIMP CONTACTS	330 1766
	Component list	330 2222

POS	DESCRIPTION	QUANTITY	UNIT
12	WIRE SET FOR OVEN PB/DV/NDISPLAY 4 PIN MACS	1	
11	WIRE SET FOR HCU2000/OVC2000 3 PIN MACS	1	
10	Wire set rotary - 7 segment display	1	
9	Wire set rotary-rotary	1	
8	Input module	1	
7	Wire set HobDisplay/DV/NDisplay 3 pin MACS	1	
6	SMD Display	1	
5	Hsc 2000 power board, 400V	1	
4	Radiant heater 140, 400V, ETKA	1	
3	Radiant heater 120/180, 400V, EGD	1	
2	Radiant heater 140, 400V, ETKA	1	
1	Radiant heater 210, 400V, ETKA	1	

B Drawing corrected		S.A.H	ABS 2844	2006.02.08
A First edition		JAN	ABS 2678	2006-01-10
POS	MODIFICATIONS	SIGNATURE	REQUEST	DATE
MATERIAL	WEIGHT	DESIGN USERS	REPLACES	EUROPEAN METHOD
TREATMENT	SCALE	DERIVED FROM	SUPPLY SPECIFICATIONS	
DESIGN OWNER	DATE	APP	S.A.H	TITLE
DRN JAN	2006-01-10	APP	S.A.H	Wiring hob assembly
Electrolux		NUMBER 349 5107		REV B
				SHEET

Hob harness: 349 5108 HC60:6/HC70:6,sir

VARIANT NUMBER	REPLACED NUMBER	POS	MODEL	DESIGN USERS	CHANGES FROM THE BASE NUMBER
349 5107-01					

GENERAL TOLERANCES  
ANGLES  
DIMENSIONS AND DIMETERS