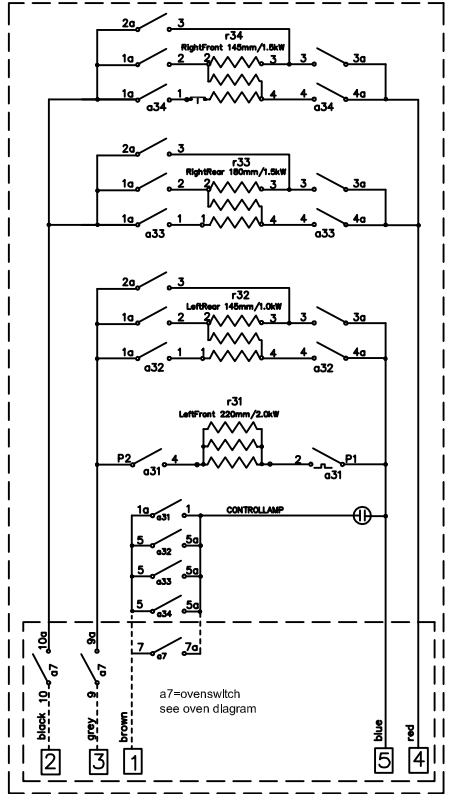
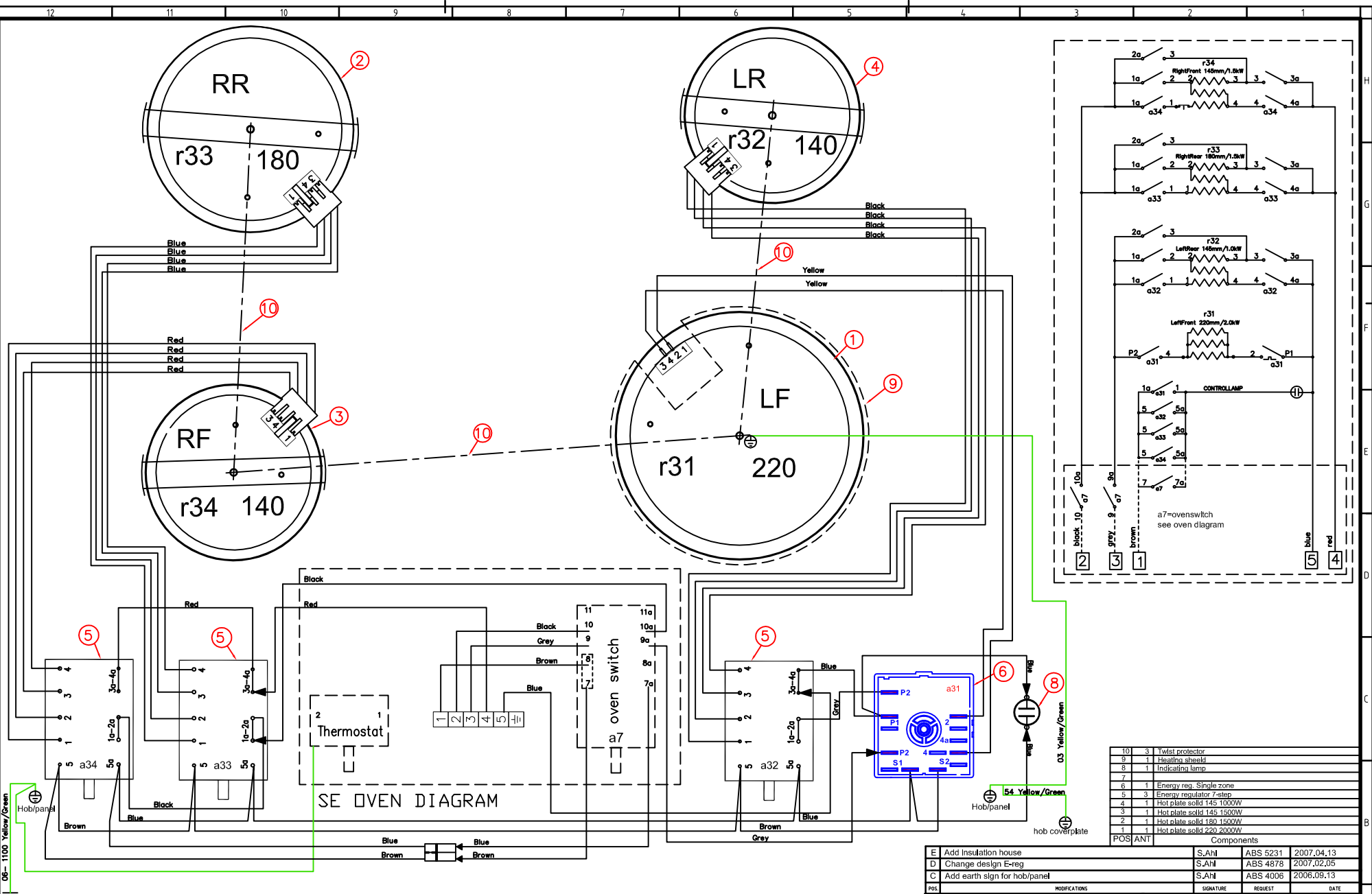


This drawing contains confidential information and is the property of Electrolux. Without whose permission it may not be copied, shown or handed to a third party. In case of a request for information, please refer to the request to the design owner, who is responsible for the drawing.

Items shown in this drawing must not contain substances that are banned according to Directive 2002/95/EC, the RoHS Directive (Lead, Cadmium, Mercury, Hexavalent Chromium, Polychlorinated Biphenyls, Polybrominated Biphenyls) or "banned" or "restricted" according to the Electrolux Restricted Materials List.



10	3	Twist1 protector
9	1	Heating shield
8	1	Indicating lamp
7	1	Energy reg. Single zone
6	3	Energy regulator 7-step
4	1	Hot plate solid 145 1500W
3	1	Hot plate solid 145 1500W
2	1	Hot plate solid 180 1500W
1	1	Hot plate solid 220 2000W

ID	DESCRIPTION	ELUX PART NO.
	Hob wiring cpl.	349 5104
	INSULATION HOUSING	330 4175
	LIST OF CRMP CONTACTS	330 1766
	Component list	330 2222

**HS60:2, HS70:2 230V / 400V**  
**Harness 349 5104** FRONT SEEN FROM BOTTOM

VARIANT NUMBER	REPLACED NUMBER	POS.	MODEL	DESIGN USERS	CHANGES FROM THE BASE NUMBER
-	349 5103-01				

E	Add insulation house	S.A.H	ABS 5231	2007.04.13
D	Change design E-reg	S.A.H	ABS 4878	2007.02.05
C	Add earth sign for hob/panel	S.A.H	ABS 4006	2006.09.13

POS.	MODIFICATIONS	SIGNATURE	REQUEST	DATE

MATERIAL	SCALE	DESIGN USERS	REPLACES

DESIGN OWNER	DATE	DATE	TITLE
S.A.H	2004-12-29	S.A.H	Wiring hob assembly

**Electrolux**

NUMBER **349 5103** REV **1E** SHEET

GENERAL INSTRUCTIONS  
 UNITS  
 LENGTHS AND DIAMETERS