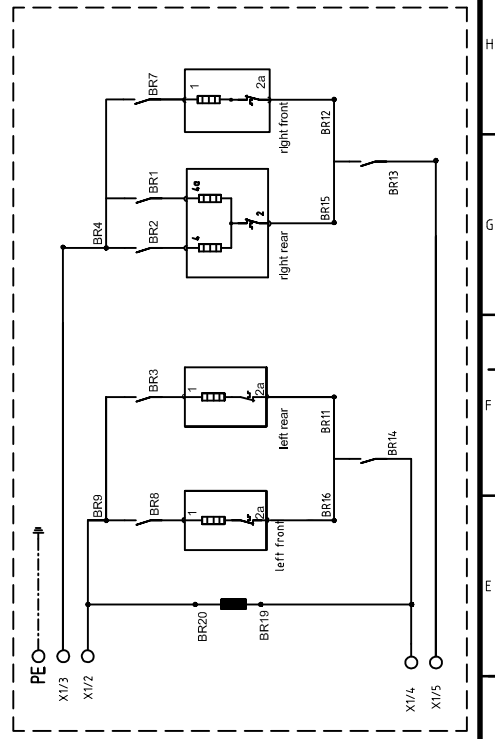
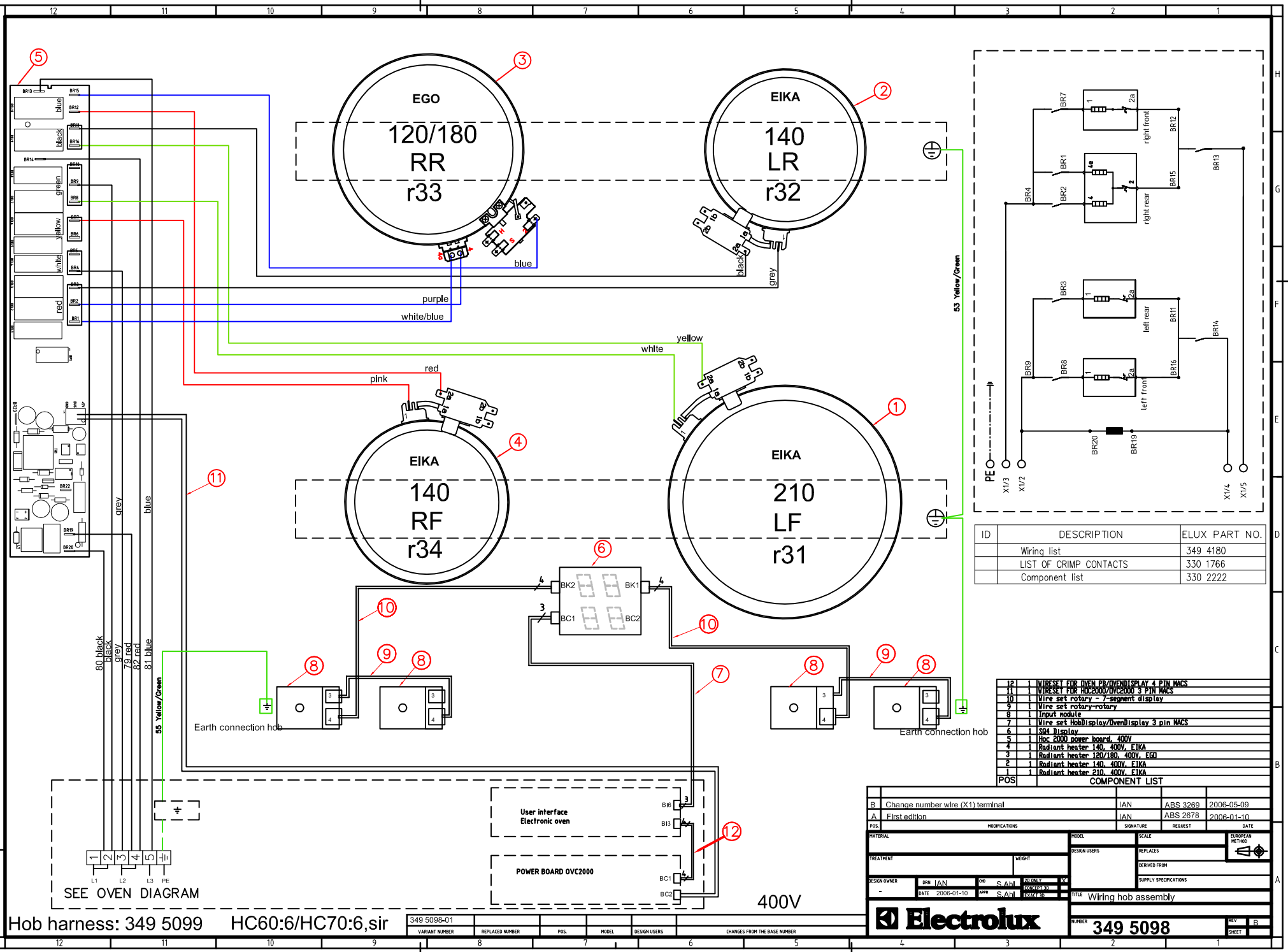


This drawing contains confidential information and is the property of Electrolux. Without whose permission it shall not be reproduced, distributed, copied, modified or otherwise used and it is to be returned immediately upon request to the design owner, who is responsible for the drawing.

Items shown in this drawing must not contain substances that are banned according to Directive 2002/95/EC, the RoHS Directive. Common Name: Mercury, Hexavalent Chromium, Lead, Polychlorinated Biphenyls (PCBs), Polybrominated Biphenyls (PBBs) or Polybrominated Diphenyl Ethers (PBDEs). Restricted Materials List.



ID	DESCRIPTION	ELUX PART NO.
	Wiring list	349 4180
	LIST OF CRIMP CONTACTS	330 1766
	Component list	330 2222

ID	DESCRIPTION	ELUX PART NO.
12	WIRESET FOR OVEN PR/VIDEODISPLAY 4 PIN MACS	
11	WIRESET FOR HUB2000/OVC2000 3 PIN MACS	
10	Wire set rotary - 7 segment display	
9	Wire set rotary-rotary	
8	Input module	
7	Wire set HobDisplay/ovenDisplay 3 pin MACS	
6	SM4 Display	
5	Hvc OCV power board, 400V	
4	Radiant heater 140, 400V, EIKA	
3	Radiant heater 120/180, 400V, EGO	
2	Radiant heater 140, 400V, EIKA	
1	Radiant heater 210, 400V, EIKA	

POS	DESCRIPTION	DATE	REQUEST	SIGNATURE	MODIFICATIONS
B	Change number wire (X1) terminal	JAN	ABS 3269		2006-05-09
A	First edition	JAN	ABS 2678		2006-01-10

DESIGN OWNER		DESIGN USERS		REPLACES		DERIVED FROM		SUPPLY SPECIFICATIONS	
DRN JAN	CO S.Ah	DRN JAN	CO S.Ah	DRN JAN	CO S.Ah	DRN JAN	CO S.Ah	DRN JAN	CO S.Ah
DATE 2006-01-10		APR S.Ah		TITLE Wiring hob assembly		NUMBER 349 5098		REV B	
DATE 2006-01-10		APR S.Ah		TITLE Wiring hob assembly		NUMBER 349 5098		REV B	

**Electrolux**

Hob harness: 349 5099 HC60:6/HC70:6,sir 349 5098-01