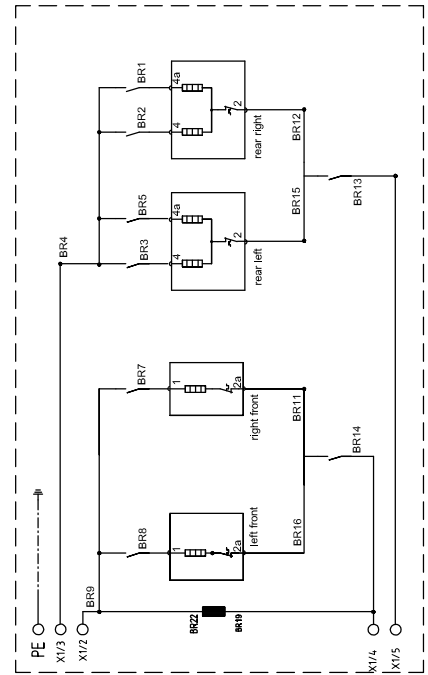
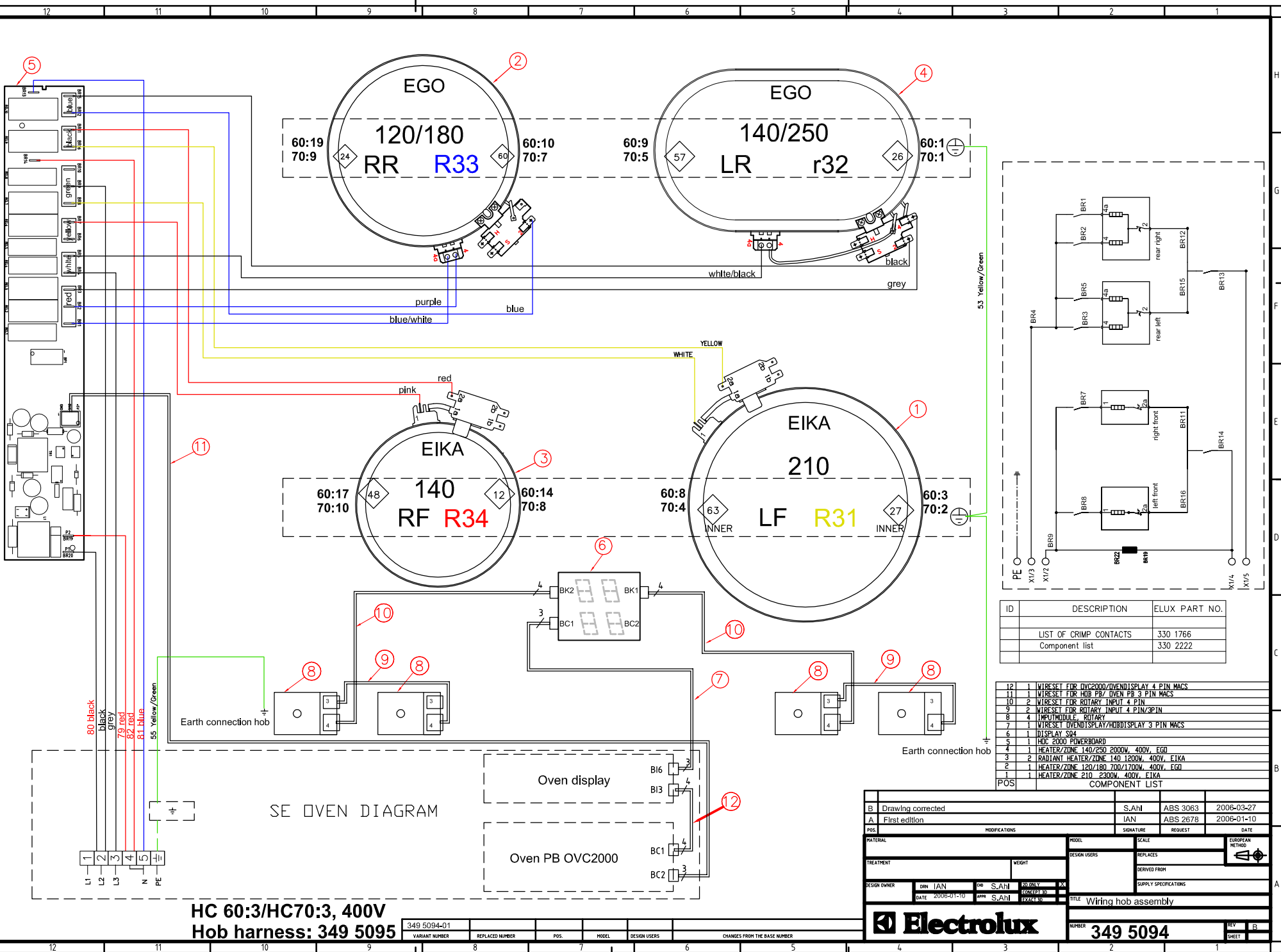


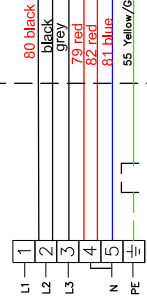
This drawing contains confidential information and is the property of Electrolux. Without whose permission it may not be copied, shown or handed to a third party. Any reproduction, in any form, without the prior written request to the design owner, who is responsible for the drawing.

Items shown in this drawing must not contain substances that are banned according to Directive 2002/95/EC, the RoHS Directive (Lead, Cadmium, Mercury, Hexavalent Chromium, Polychlorinated Biphenyls and Polybrominated Diphenyl Ethers) or "Restricted" according to the Electrolux Restricted Materials List.



| ID | DESCRIPTION            | ELUX PART NO. |
|----|------------------------|---------------|
|    | LIST OF CRIMP CONTACTS | 330 1766      |
|    | Component list         | 330 2222      |

| POS | QTY | DESCRIPTION                                 | ELUX PART NO. |
|-----|-----|---|---------------|
| 12  | 1   | WIRESSET FOR IVC2000/IVENDISPLAY 4 PIN MACS |               |
| 11  | 1   | WIRESSET FOR HUB PB/ OVEN PB 3 PIN MACS     |               |
| 10  | 2   | WIRESSET FOR ROTARY INPUT 4 PIN             |               |
| 9   | 2   | WIRESSET FOR ROTARY INPUT 4 PIN/3PIN        |               |
| 8   | 4   | INPUTMODULE, ROTARY                         |               |
| 7   | 1   | WIRESSET IVCENDISPLAY/HUBDISPLAY 3 PIN MACS |               |
| 6   | 1   | DISPLAY S04                                 |               |
| 5   | 1   | HEP 2000 POWERBOARD                         |               |
| 4   | 1   | HEATER/ZONE 140/250 2000W, 400V, EGO        |               |
| 3   | 2   | RADIANT HEATER/ZONE 140 1200W, 400V, EIKA   |               |
| 2   | 1   | HEATER/ZONE 120/180 700/1700W, 400V, EGO    |               |
| 1   | 1   | HEATER/ZONE 210 2300W, 400V, EIKA           |               |



HC 60:3/HC70:3, 400V  
Hob harness: 349 5095

| VARIANT NUMBER | REPLACED NUMBER | POS. | MODEL | DESIGN USERS | CHANGES FROM THE BASE MODEL |
|----------------|-----------------|------|-------|--------------|-----------------------------|
| 349 5094-01    |                 |      |       |              |                             |

|                           |               |              |                 |                       |
|---------------------------|---------------|--------------|-----------------|-----------------------|
| B Drawing corrected       |               | S.AhI        | ABS 3063        | 2006-03-27            |
| A First edition           |               | IAN          | ABS 2678        | 2006-01-10            |
| POS.                      | MODIFICATIONS | SIGNATURE    | REQUEST         | DATE                  |
| MATERIAL                  | WEIGHT        | DESIGN USERS | REPLACES        | EUROPEAN METHOD       |
| TREATMENT                 |               |              | DERIVED FROM    |                       |
| DESIGN OWNER              | DATE          | APP.         | REVISION        | SUPPLY SPECIFICATIONS |
| IAN                       | 2006-01-10    | S.AhI        |                 |                       |
| TITLE Wiring hob assembly |               |              |                 |                       |
|                           |               |              | NUMBER 349 5094 | REV B                 |
|                           |               |              |                 | SHEET                 |