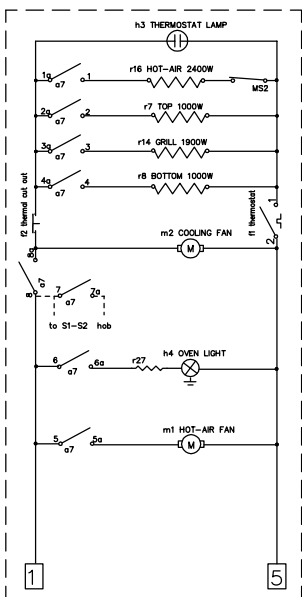
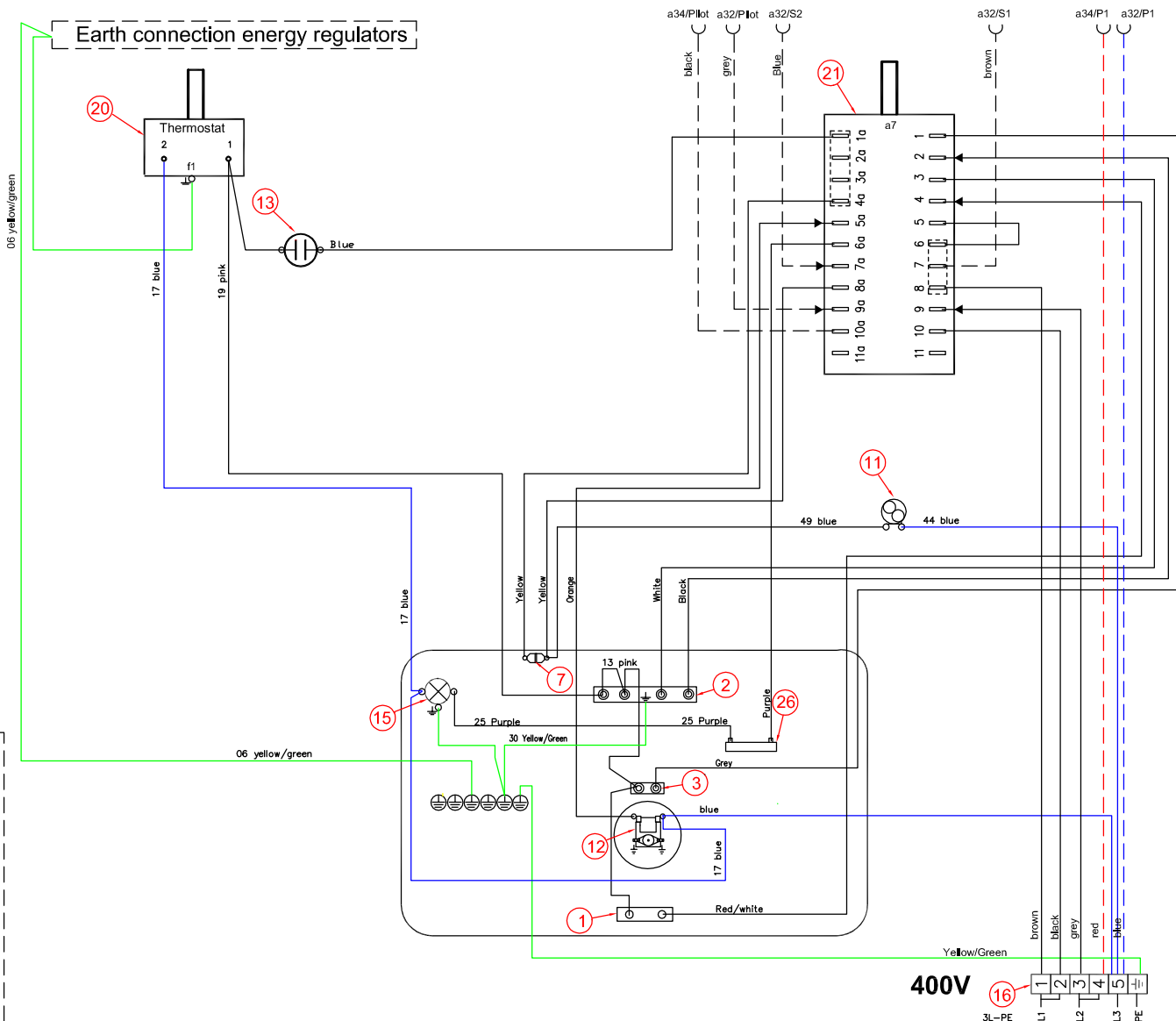


This drawing contains confidential information and is the property of Electrolux. Without whose permission it shall not be reproduced, stored in a retrieval system or otherwise used and it is to be returned immediately upon request to the design owner, who is responsible for the drawing.

Items shown in this drawing must not contain substances that are banned according to Directive 2002/95/EC, the RoHS Directive. Certain components, however, may contain substances that are not restricted according to "Banned" or "Restricted" according to the Electrolux Restricted Materials List.



Earth connection energy regulators



29	-
28	-
27	-
26	1 Resistor rear oven lamp 40W
25	-
24	-
23	-
22	-
21	1 Main switch/ oven function
20	1 Thermostat
19	-
18	-
17	-
16	1 Main Terminal 6 pole snap in
15	1 Oven lamp back
14	-
13	1 Thermostat lamp
12	1 Fan motor hot air oven
11	1 Cooling fan
10	-
9	-
8	-
7	-
6	1 Terminal cut out
5	-
4	-
3	1 Heating element hot air
2	1 Heating element top
1	1 Heating element bottom
POS/ANT	GENSTAND

ID	DESCRIPTION	ELUX PART NO.
	Wiring list	349 5073
	Oven selector wiring	349 4273
	INSULATION HOUSING	
	LIST OF CRIMP CONTACTS	330 1766
	Component list	330 2222

349 5072-02							
VARIANT NUMBER	REPLACED NUMBER	POS.	MODEL	DESIGN USERS	CHANGES FROM THE BASE NUMBER		

A First edition		S.A.H.	ABS2507	2005.12.17
POS.	MODIFICATIONS	SIGNATURE	REQUEST	DATE
MATERIAL	WEIGHT	DESIGN USERS	REPLACES	EUROPEAN METHOD
TREATMENT	WEIGHT	DESIGN USERS	DERIVED FROM	
DESIGN OWNER	CHK S.A.H.	CC S.A.H.	REVIEWED	MM
DATE 2005-12-17	APP S.A.H.	REVIEWED	REVIEWED	
TITLE				Wiring oven assembly
Electrolux				
NUMBER				349 5072
				R/L A
				SHEET