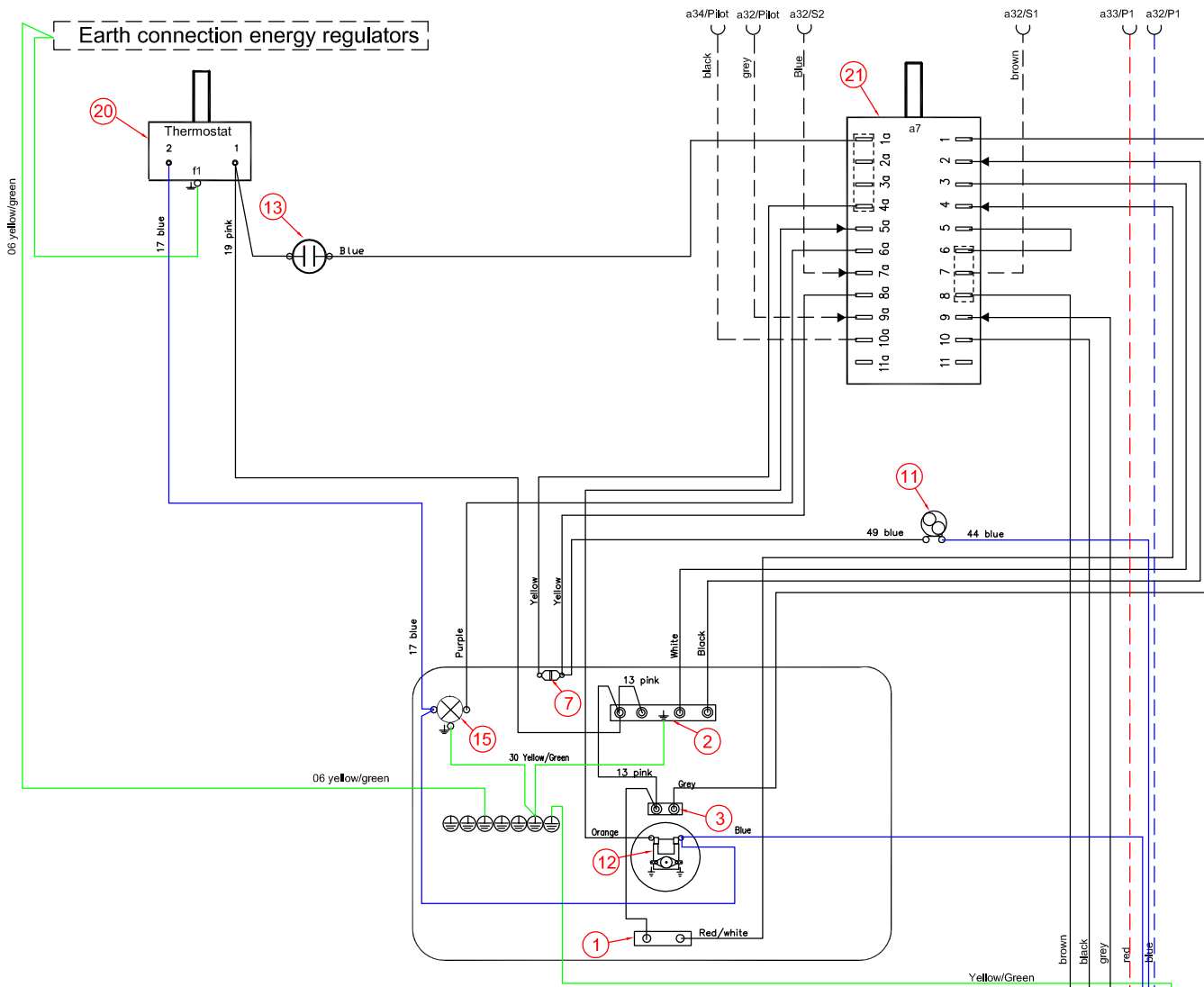
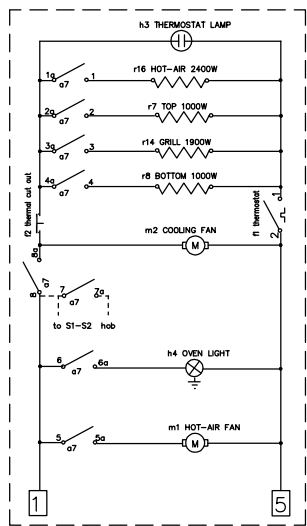


This drawing contains confidential information and is the property of Electrolux. Without whose permission it shall not be reproduced, stored in a retrieval system or otherwise used and it is to be returned immediately upon request to the design owner, who is responsible for the drawing.

Items shown in this drawing must not contain substances that are banned according to Directive 2002/95/EC, the RoHS Directive. Cadmium, Mercury, Hexavalent Chromium, Lead, Polychlorinated Biphenyls (PCBs) or Polycyclic Aromatic Hydrocarbons (PAHs) are not permitted. The design owner is responsible for ensuring that the design owner's Restricted Materials List.



25	-	
24	-	
23	-	
22	-	
21	1	Main switch/ oven function
20	1	THERMOSTAT
19	-	
18	-	
17	-	
16	1	TERMINAL STRIP 6 PINS, SNAP
15	1	OVEN LAMP TOP
14	-	
13	1	THERMOSTAT LAMP
12	1	FANMOTOR HOTAIR OVEN
11	1	COOLING FAN
10	-	
9	-	
8	-	
7	1	THERMAL CUT OUT
6	-	
5	1	THERMOSTAT/CLIXON COOLING FAN 50 GR
4	-	
3	1	HEATINGELE. HOTAIR 2400W
2	1	HEATINGELE. TOP 1000/1900W
1	1	HEATINGELE. LOWER 1000W
POS	ANT	GENSTAND

ID	DESCRIPTION	ELUX PART NO.
	Wiring list	349 5058
	Oven selector wiring	349 4273
▶	INSULATION HOUSING	
	LIST OF CRIMP CONTACTS	330 1766
	Component list	330 2222

B Correction of drawing		S.A.H	ABS 2492	2005.12.20
A First edition		S.A.H	ABS 2126	2005.11.29
POS	MODIFICATIONS	SIGNATURE	REQUEST	DATE
MATERIAL	WEIGHT	DESIGN USERS	REPLACES	EUROPEAN METHOD
TREATMENT	WEIGHT	DESIGN USERS	DERIVED FROM	
DESIGN OWNER	DATE	DATE	TITLE	SUPPLY SPECIFICATIONS
DRN S.A.H	2005-11-29	APR S.A.H	Wiring Hot air oven	
<b>Electrolux</b>		NUMBER	349 5057	REV B
				SHEET

349 5057-02									
VARIANT NUMBER	REPLACED NUMBER	POS	MODEL	DESIGN USERS	CHANGES FROM THE BASE NUMBER				