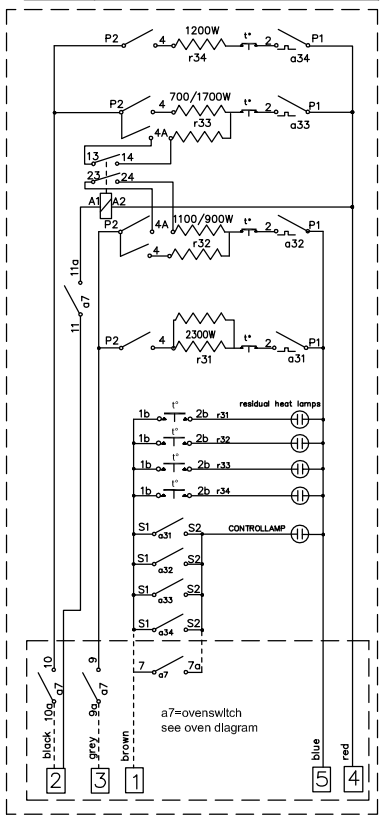
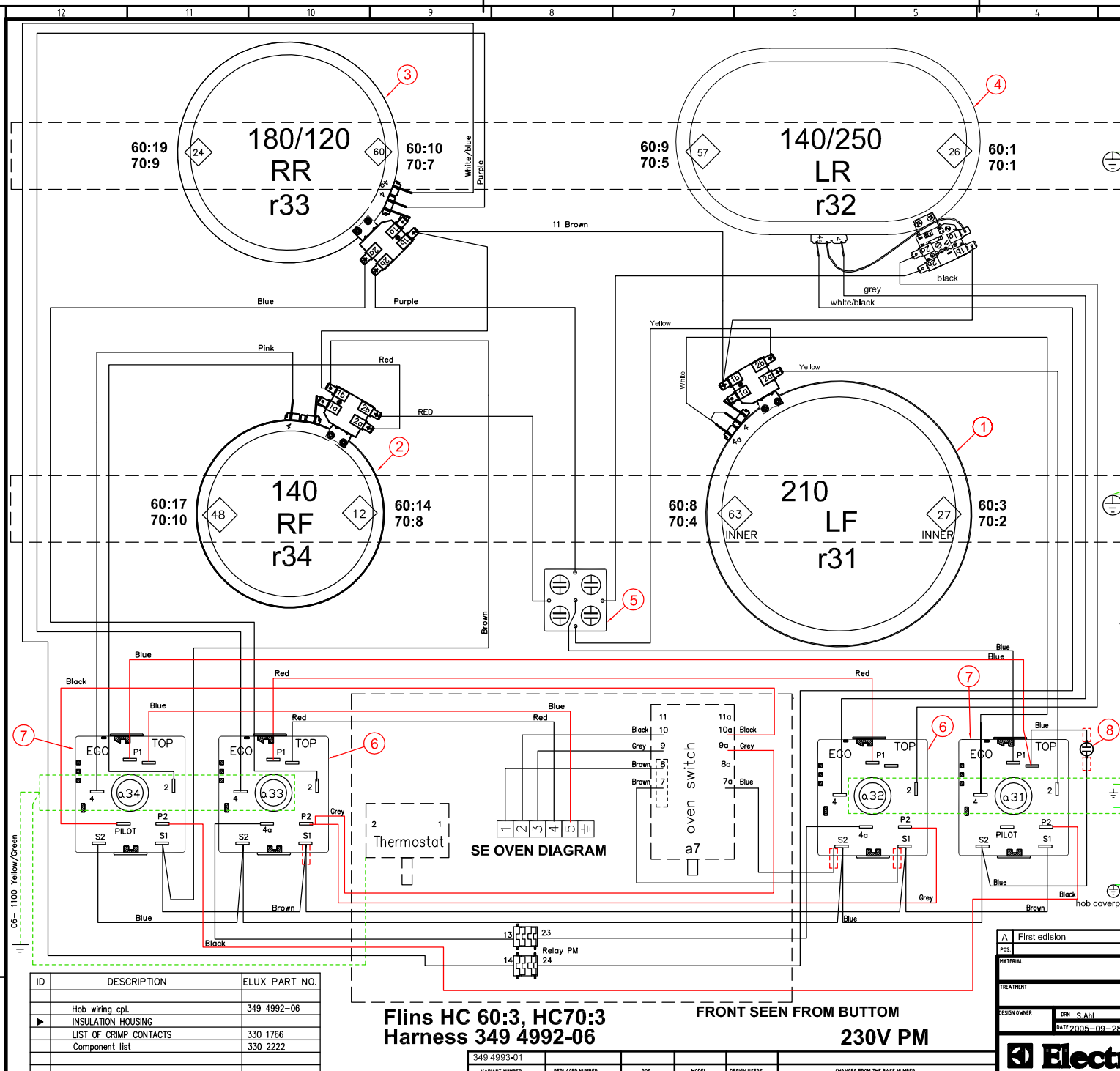


This drawing contains confidential information and is the property of Electrolux, without whose permission it shall not be reproduced, stored in a retrieval system or otherwise used and it is to be returned immediately upon request to the design owner, who is responsible for the drawing.

Items shown in this drawing must not contain substances that are banned according to Directive 2002/95/EC, the RoHS Directive, or Directive 2006/66/EC, the Battery Directive. The RoHS and Banned Substances List (BSSL) are available on the Electrolux website. The BSSL is also available on the website of the European Commission. The BSSL is also available on the website of the European Commission. The BSSL is also available on the website of the European Commission.



POS	DESCRIPTION	QUANTITY
8	1 Indicating lamp cooker	1
7	2 Energy reg. single zone 230V	2
6	3 Energy reg. double zone 230V	3
5	1 Heat indicator 4-BL	1
4	1 Radiant heater 140/250	1
3	1 Radiant heater 120/180	1
2	1 Radiant heater 140	1
1	1 Radiant heater 140/210	1

ID	DESCRIPTION	ELUX PART NO.
	Hob wiring cpl.	349 4992-06
	INSULATION HOUSING	
	LIST OF CRIMP CONTACTS	330 1766
	Component list	330 2222

Flins HC 60:3, HC70:3
Harness 349 4992-06
230V PM

VARIANT NUMBER	REPLACED NUMBER	POS	MODEL	DESIGN USERS	CHANGES FROM THE BASE MODEL
349 4993-01					

A First edslon		S.AhI	ABS 1398	2005.09.28
POS	MODIFICATIONS	SIGNATURE	REQUEST	DATE
MATERIAL	WEIGHT	DESIGN USERS	REPLACES	EUROPEAN METHOD
TREATMENT			DERIVED FROM	
DESIGN OWNER	DRN S.AhI	CP S.AhI	CONCEPT	SUPPLY SPECIFICATIONS
DATE 2005-09-28	APP S.AhI	KEY KEY		
TITLE Wiring hob assembly				
NUMBER 349 4993				REV A
				SHEET