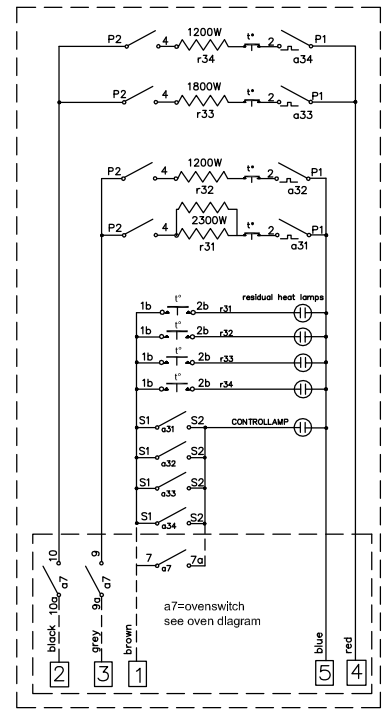
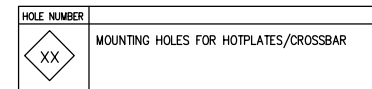
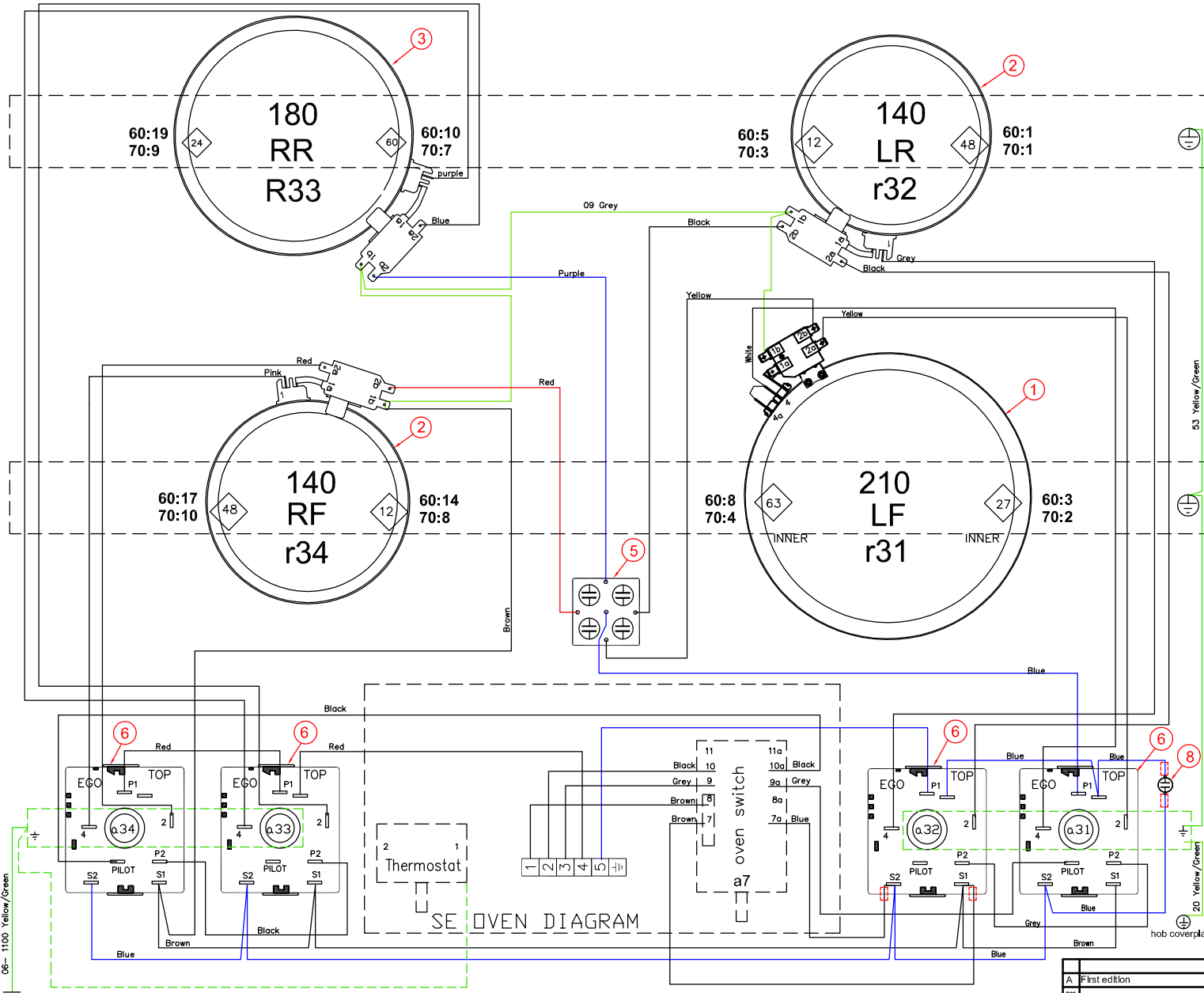


This drawing contains confidential information and is the property of Electrolux, without whose permission it may not be reproduced, stored in a retrieval system or otherwise used and it is to be returned immediately upon request to the design owner, who is responsible for the drawing.

Items shown in this drawing must not contain substances that are banned according to Directive 2002/95/EC, the RoHS Directive. The design owner, Electrolux, is responsible for ensuring that the parts and materials used in the design are RoHS compliant. The design owner is responsible for ensuring that the parts and materials used in the design are RoHS compliant. The design owner is responsible for ensuring that the parts and materials used in the design are RoHS compliant.



POS	QTY	DESCRIPTION
8	1	INDICATING LAMP COOKER, 400V
7	-	
6	4	ENERGY REG. SINGLE ZONE, 400V
5	1	RESIDUAL HEAT INDICATOR, 4-Bl., 400V
4	-	
3	1	HEATER/ZONE 180 1800W, 400V, E1KA
2	2	HEATER/ZONE 140 1200W, 400V, E1KA
1	1	HEATER/ZONE 210 2300W, 400V, EGO

ID	DESCRIPTION	ELUX PART NO.
	Hob wiring cpl.	349 4974 05
	INSULATION HOUSING	
	LIST OF CRIMP CONTACTS	330 1766
	Component list	330 2222

FRONT SEEN FROM BOTTOM
HC 60:1, HC70:1, 400V, flins

VARIANT NUMBER	REPLACED NUMBER	POS.	MODEL	DESIGN USERS	CHANGES FROM THE BASE NUMBER
349 4976-01					

A First edition		S.A.H	ABS 1398	2005.09.22
POS.	MODIFICATIONS	SIGNATURE	REQUEST	DATE
MATERIAL	WEIGHT	DESIGN USERS	REPLACES	EUROPEAN METHOD
TREATMENT			DERIVED FROM	
DESIGN OWNER	DRN S.A.H	CP S.A.H	REWORKED BY	SUPPLY SPECIFICATIONS
DATE 2005-09-22	APP S.A.H	CHKM R.B.	TITLE	Wiring hob assembly
		NUMBER	349 4976	REV A
		SHEET		