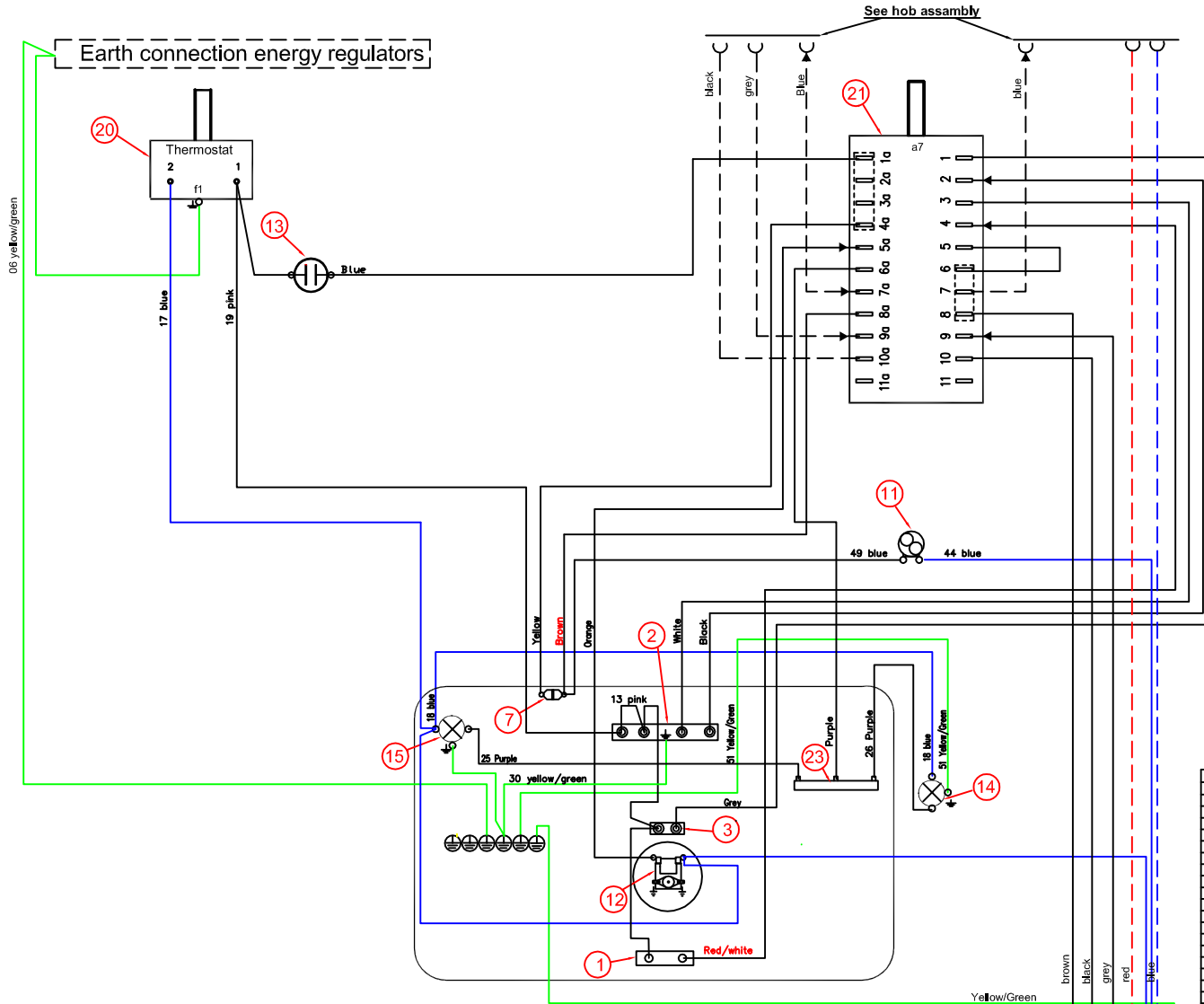
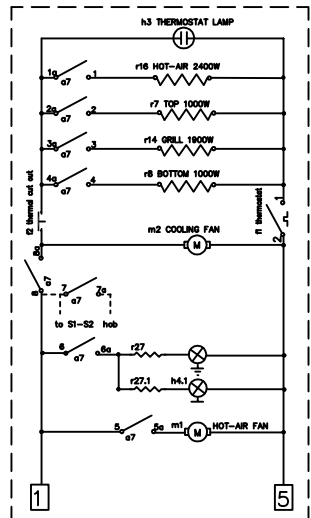


This drawing contains confidential information and is the property of Electrolux. Without the express written consent of Electrolux, this drawing is not to be reproduced, stored in a retrieval system, or otherwise used and it is to be returned promptly to the design owner. Who is responsible for the drawing.

Items shown in this drawing must not contain substances listed in the RoHS Directive (lead, Cadmium, Mercury, Hexavalent Chromium, PBB and PBDE), or substances classified as "Banned" or "Restricted" according to the Electrolux Restricted Materials List.



25	
24	
23	1 Power resistor
22	
21	1 Main switch/ oven function
20	1 THERMISTAT
19	
18	
17	
16	1 TERMINAL STRIP 6 PINS, SNAP
15	1 OVEN LAMP TIP
14	1 OVEN LAMP STRIP
13	1 THERMISTAT LAMP
12	1 FANMOTOR HITAIR/OVEN
11	1 COOLING FAN
10	
9	
8	1 THERMAL CUT OUT
7	
6	
5	
4	
3	1 HEATING/E. HITAIR 2400W
2	1 HEATING/E. TIP 1000/1900W
1	1 HEATING/E. LOWER 1000W
POS/ANT	GENSTAND

ID	DESCRIPTION	ELUX PART NO.
	Wiring list harness	349 4726
	Oven selector wiring	349 4234
	INSULATION HOUSING	
	LIST OF CRIMP CONTACTS	330 1766
	Component list	330 2222

349 4922-02					
VARIANT NUMBER	REPLACED NUMBER	POS.	MODEL	DESIGN USERS	CHANGES FROM THE BASE NUMBER

A First edition		IAN	ABS 3999	2006.09.11
POS		SIGNATURE		DATE
MODIFICATIONS		REQUEST		
MATERIAL	WEIGHT	MODEL	SCALE	EUROPLAN METHOD
TREATMENT		DESIGN USERS	REPLACES	
DESIGN OWNER		DERIVED FROM		SUPPLY SPECIFICATIONS
DRN IAN	DR S.A.H	FORNIN	XX	
DATE 2006-09-11	APP S.A.H	FORNIN	XX	
TITLE		Wiring oven assembly		
Electrolux		NUMBER	349 4922	
		REV	A	
		SHEET		