

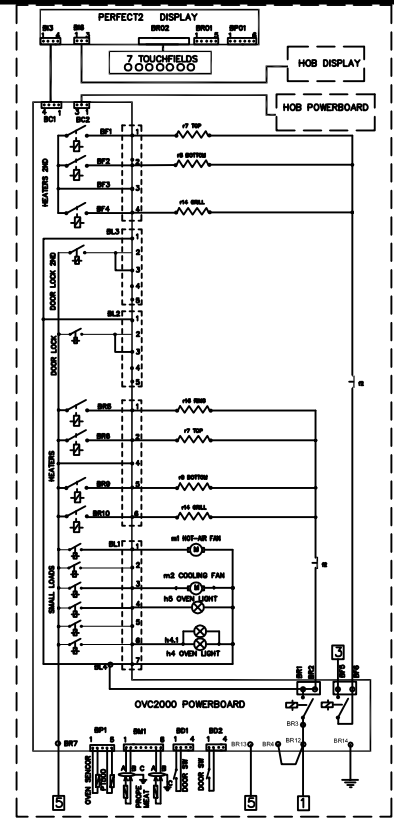
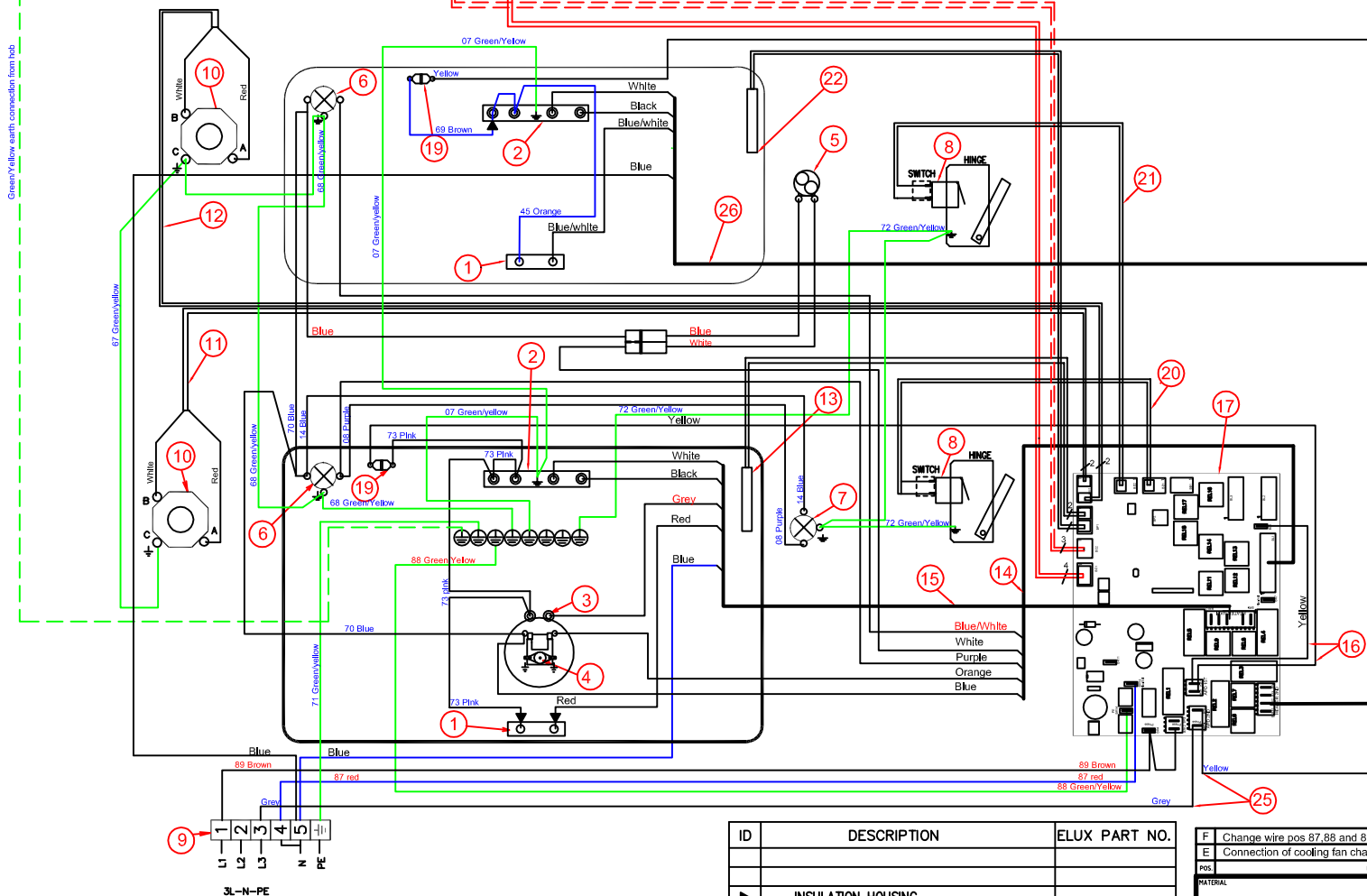
This drawing contains confidential information and is the property of Electrolux, without whose permission it shall not be reproduced, stored in a retrieval system or otherwise used and it is to be returned immediately upon request to the design owner, who is responsible for the drawing.

Items shown in this drawing must not contain substances that are banned according to Directive 2002/95/EC, the RoHS Directive. The design owner, the design engineer or the manufacturer shall ensure that the components, parts, materials, "Banned" or "Restricted" according to the Electrolux Restricted Materials List.

SEE HOB DIAGRAM

3 pin signalwire from hob displayboard.

3 pin signalwire from hob powerboard.



Pos No	Components
29	1 Touch board
28	1 Ribbon cable
27	-
26	1 Wire set heater top oven
25	1 Wire set APD
24	-
23	-
22	1 Oven PT500 sensor
21	1 Wire set Light switch TO
20	1 Wire set Light switch MO
19	2 Heat protector 180°C
18	1 Display
17	1 OVC 2000 power board
16	1 Wire set APD
15	1 Wire set heater
14	1 Wire set small loads
13	1 Oven PT500 sensor
12	1 Wire set meat probe TO
11	1 Wire set meat probe MO
10	2 Lock socket meat probe
9	1 Main terminal
8	2 Microswitch fan / light
7	1 Oven lamp slide
6	2 Oven lamp back
5	1 Cooling fan
4	1 Fan motor hot air
3	1 Heating elem. hot air 2400W
2	2 Heating elem. top 1000/1800W
1	2 Heating elem. lower 1000W

230V

ID	DESCRIPTION	ELUX PART NO.
▶	INSULATION HOUSING	
	LIST OF CRIMP CONTACTS	330 1766
	Component list	330 2222
	Wiring OVC 2000 harness	349 4920
	Wiring list harness	349 5102

POS	DESCRIPTION	MODIFICATIONS	S.A.H	ABS 3361	DATE
F	Change wire pos 87,88 and 89, corrected technical diagram		S.A.H	ABS 3641	2006.07.05
E	Connection of cooling fan change		S.A.H	ABS 3361	2006.05.16

Electrolux

NUMBER **349 4919**

REVISION: 1

349 4919-02	REPLACED NUMBER	POS	MODEL	DESIGN USERS	CHANGES FROM THE BASE NUMBER
VARIANT NUMBER					