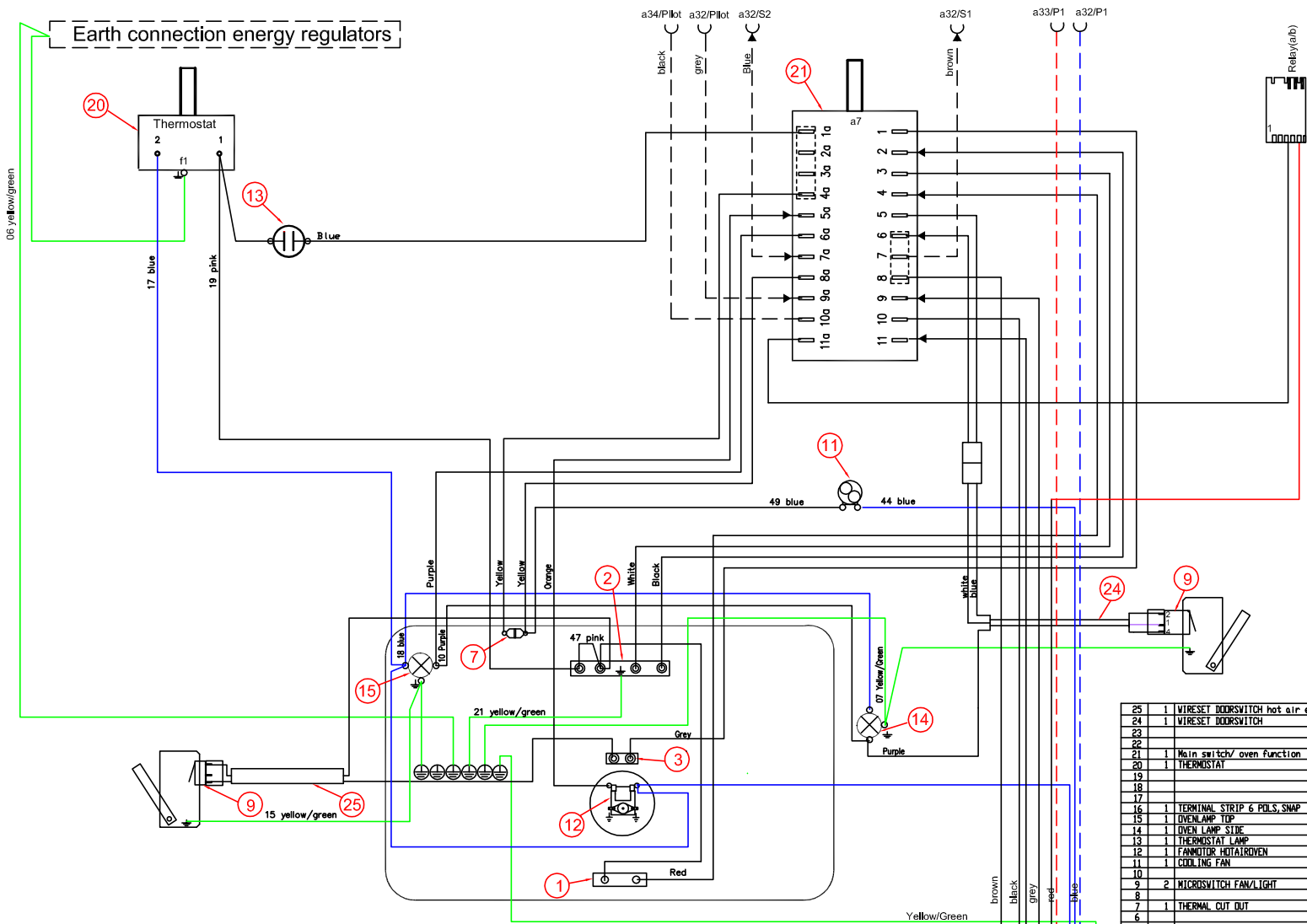
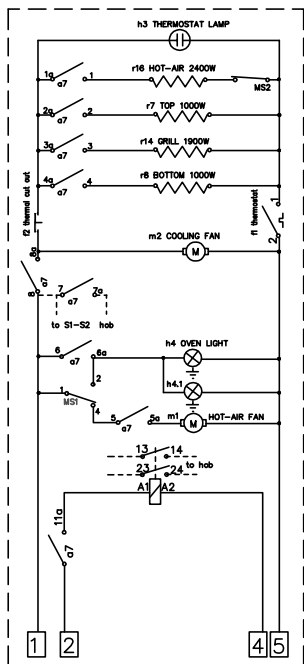


This drawing contains confidential information and is the property of Electrolux, without whose permission it may not be reproduced, stored in a retrieval system or otherwise used and it is to be returned immediately upon request to the design owner, who is responsible for the drawing.

Items shown in this drawing must not contain substances that are banned according to Directive 2002/95/EC, the RoHS Directive. The design owner, Electrolux, is responsible for ensuring that the parts, components, materials, components, PCBs and wires used in the design do not contain "Banned" or "Restricted" according to the Electrolux Restricted Materials List.



25	1	WIRESET DOORSWITCH hot air element
24	1	WIRESET DOORSWITCH
23		
22		
21	1	Main switch/ oven function
20	1	THERMOSTAT
19		
18		
17		
16	1	TERMINAL STRIP 6 PINS, SNAP
15	1	OVEN LAMP TOP
14	1	OVEN LAMP SIDE
13	1	THERMOSTAT LAMP
12	1	FANMOTOR HOTAIR/ROVEN
11	1	COOLING FAN
10		
9	2	MICROSWITCH FAN/LIGHT
8		
7	1	THERMAL CUT OUT
6		
5		
4		
3	1	HEATINGELE. HOTAIR 2400W
2	1	HEATINGELE. TOP 1000/1900W
1	1	HEATINGELE. LOWER 1000W
POS/ANT		GENSTAND

ID	DESCRIPTION	ELUX PART NO.
	Oven selector wiring	349 4888
	INSULATION HOUSING	
	LIST OF CRIMP CONTACTS	330 1766
	Component list	330 2222

349 4889-02					
VARIANT NUMBER	REPLACED NUMBER	POS.	MODEL	DESIGN USERS	CHANGES FROM THE BASE NUMBER



A First edition		IAN	2005.03.29
POS	MODIFICATIONS	SIGNATURE	REQUEST
MATERIAL	SCALE	DESIGN USERS	REPLACES
TREATMENT	WEIGHT	DERIVED FROM	SUPPLY SPECIFICATIONS
DESIGN OWNER	DATE 2005-03-29	TITLE	Wiring oven assembly
<b>Electrolux</b>		NUMBER	349 4889
		REV	A
		SHEET	