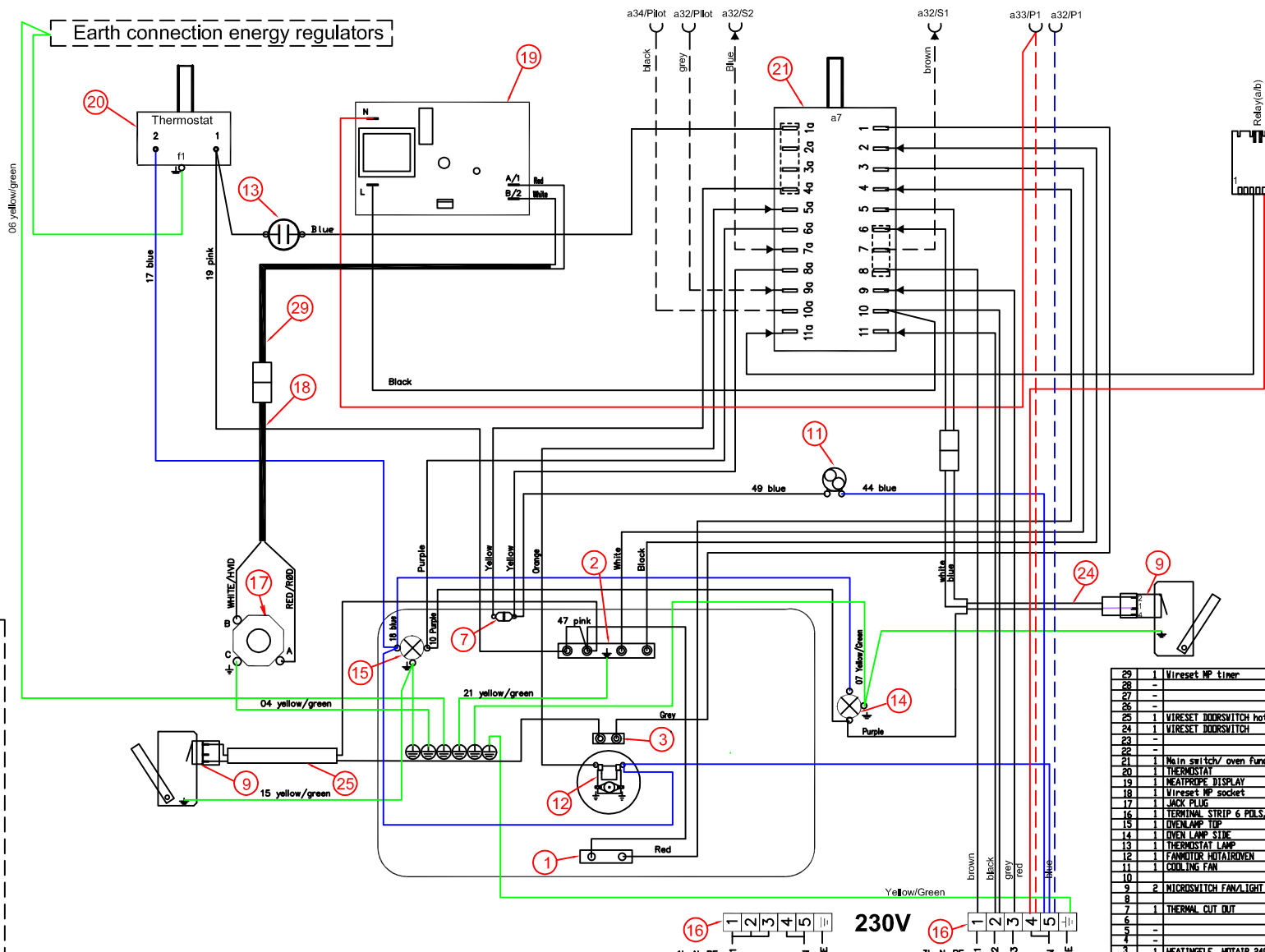
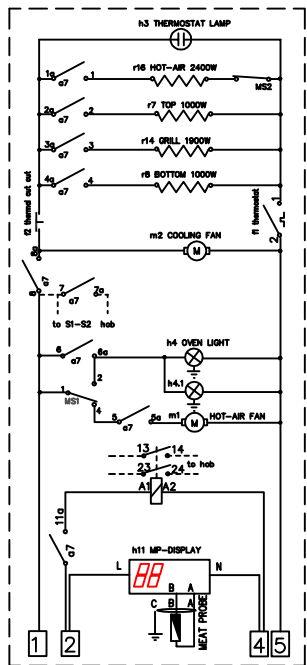


This drawing contains confidential information and is the property of Electrolux. Without whose permission it shall not be reproduced, stored in a retrieval system or otherwise used and it is to be returned immediately upon request to the design owner, who is responsible for the drawing.

Items shown in this drawing must not contain substances that are banned according to Directive 2002/95/EC, the RoHS (Restriction of Hazardous Substances) Directive. The RoHS list can be found in the "RoHS" section of the "Banned" or "Restricted" according to the Electrolux Restricted Materials List.

GENERAL DIMENSIONS
ANGLES
UNIT AND DIMETERS



29	1	Wireset MP timer
28	-	
27	-	
26	-	
25	1	WIRESET DOORSWITCH hot air element
24	1	WIRESET DOORSWITCH
23	-	
22	-	
21	1	Main switch/ oven function
20	1	THERMOSTAT
19	1	HEATINGELEM DISPLAY
18	1	Wireset MP socket
17	1	JACK PLUG
16	1	TERMINAL STRIP 6 PINS, SNAP
15	1	OVEN LAMP TIP
14	1	OVEN LAMP SIDE
13	1	THERMOSTAT LAMP
12	1	FANMOTOR HOTAIR/OVEN
11	1	COOLING FAN
10	-	
9	2	MICROSWITCH FAN/LIGHT
8	-	
7	1	THERMAL CUT OUT
6	-	
5	-	
4	-	
3	1	HEATINGELEM. HOTAIR 2400W
2	1	HEATINGELEM. TOP 1000/1900W
1	1	HEATINGELEM. LOWER 1000W
POS	ANT	GENSTAND

ID	DESCRIPTION	ELUX PART NO.
	Oven selector wiring	349 4886
	INSULATION HOUSING	
	LIST OF CRIMP CONTACTS	330 1766
	Component list	330 2222

349 4887-02					
VARIANT NUMBER	REPLACED NUMBER	POS.	MODEL	DESIGN USERS	CHANGES FROM THE BASE NUMBER

B	New wire, X1-a34-11	IAN	ABS1952	2005.11.18
A	First edition	IAN	ABS790	2005.03.29
POS.		SIGNATURE	REQUEST	DATE
MATERIAL		SCALE		EUROPEAN METHOD
TREATMENT		DESIGN USERS	REPLACES	
		WEIGHT	DERIVED FROM	
DESIGN OWNER	DRN	IAN	CP	S.A.H
	DATE	2005-03-29	APR	S.A.H
TITLE		Wiring oven assembly		
Electrolux		NUMBER	349 4887	
		REV	B	
		SHEET		