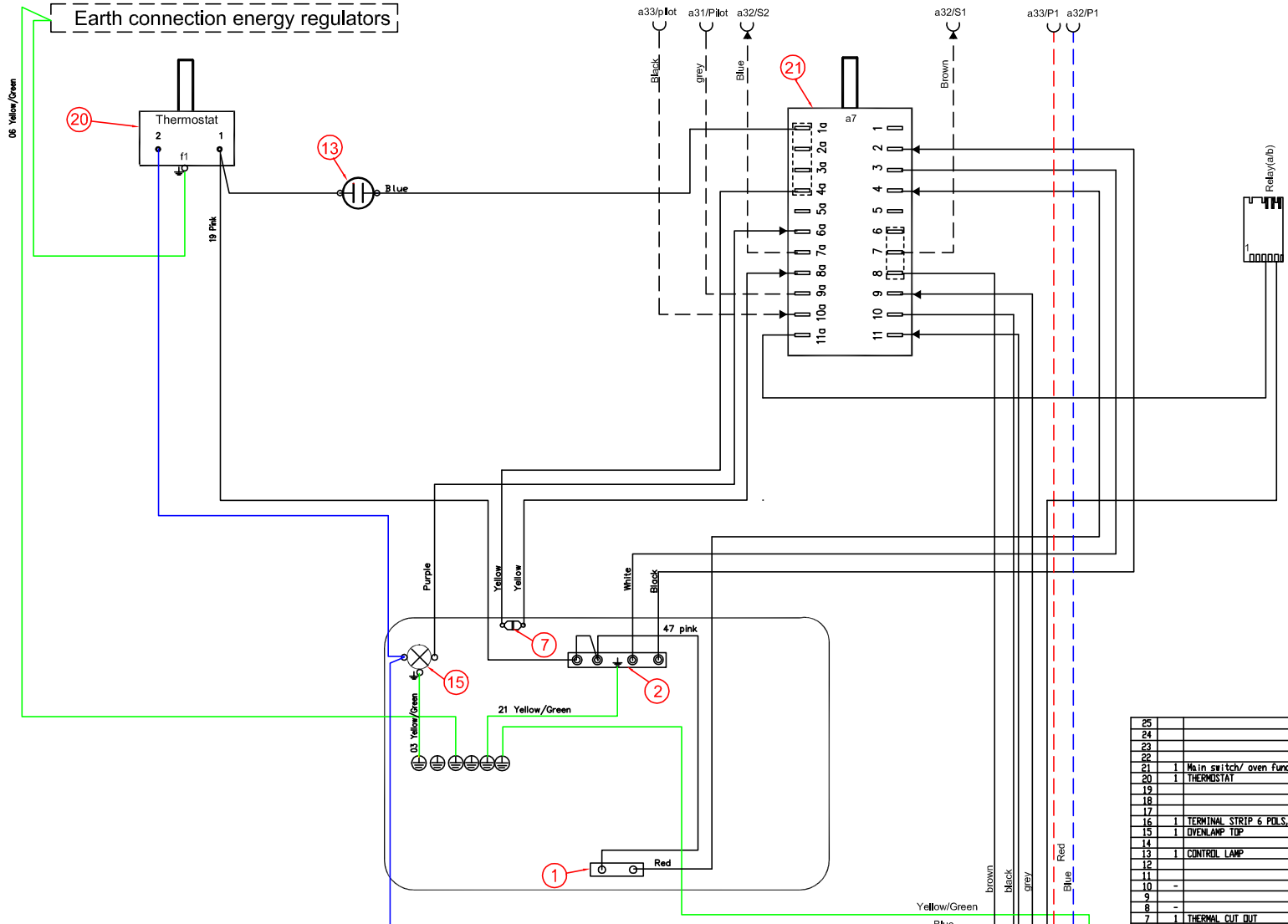


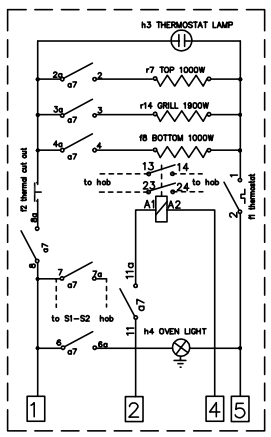
This drawing contains confidential information and is the property of Electrolux, without whose permission it may not be reproduced, stored in a retrieval system or otherwise used and it is to be returned immediately upon request to the design owner, who is responsible for the drawing.

Items shown in this drawing must not contain substances that are banned according to Directive 2002/95/EC, the RoHS Directive. Common Name: Mercury, Hexavalent Chromium, Lead, Cadmium, Polychlorinated Biphenyls (PCBs) or "Restrictive" according to the Electrolux Restricted Materials List.

Earth connection energy regulators



25	
24	
23	
22	
21	1 Main switch / oven function
20	1 THERMOSTAT
19	
18	
17	
16	1 TERMINAL STRIP 6 PINS, SNAP
15	1 OVEN LAMP TOP
14	
13	1 CONTROL LAMP
12	
11	
10	
9	
8	
7	1 THERMAL CUT OUT
6	
5	
4	
3	
2	1 HEATINGE, TOP
1	1 HEATINGE, LOWER
POS ANT	GENSTAND



ID	DESCRIPTION	ELUX PART NO.
	Oven selector wiring	349 4885-04
	INSULATION HOUSING	
	LIST OF CRIMP CONTACTS	330 1766
	Component list	330 2222



349 4883-02					
VARIANT NUMBER	REPLACED NUMBER	POS.	MODEL	DESIGN USERS	CHANGES FROM THE BASE NUMBER

A First edition		IAN	ABS 790	2005.03.24
POS	MODIFICATIONS	SIGNATURE	REQUEST	DATE
MATERIAL	MODEL	SCALE	EUROPEAN METHOD	
FRONT	WEIGHT	DESIGN USERS	REPLACES	
DESIGN OWNER	DRN IAN	CP S_AhI	DERIVED FROM	
DATE 2005-03-24	APP S_AhI	REVIEWER	SUPPLY SPECIFICATIONS	
				TITLE
349 4883				Wiring oven assembly
349 4883				REVISION
349 4883				SHEET