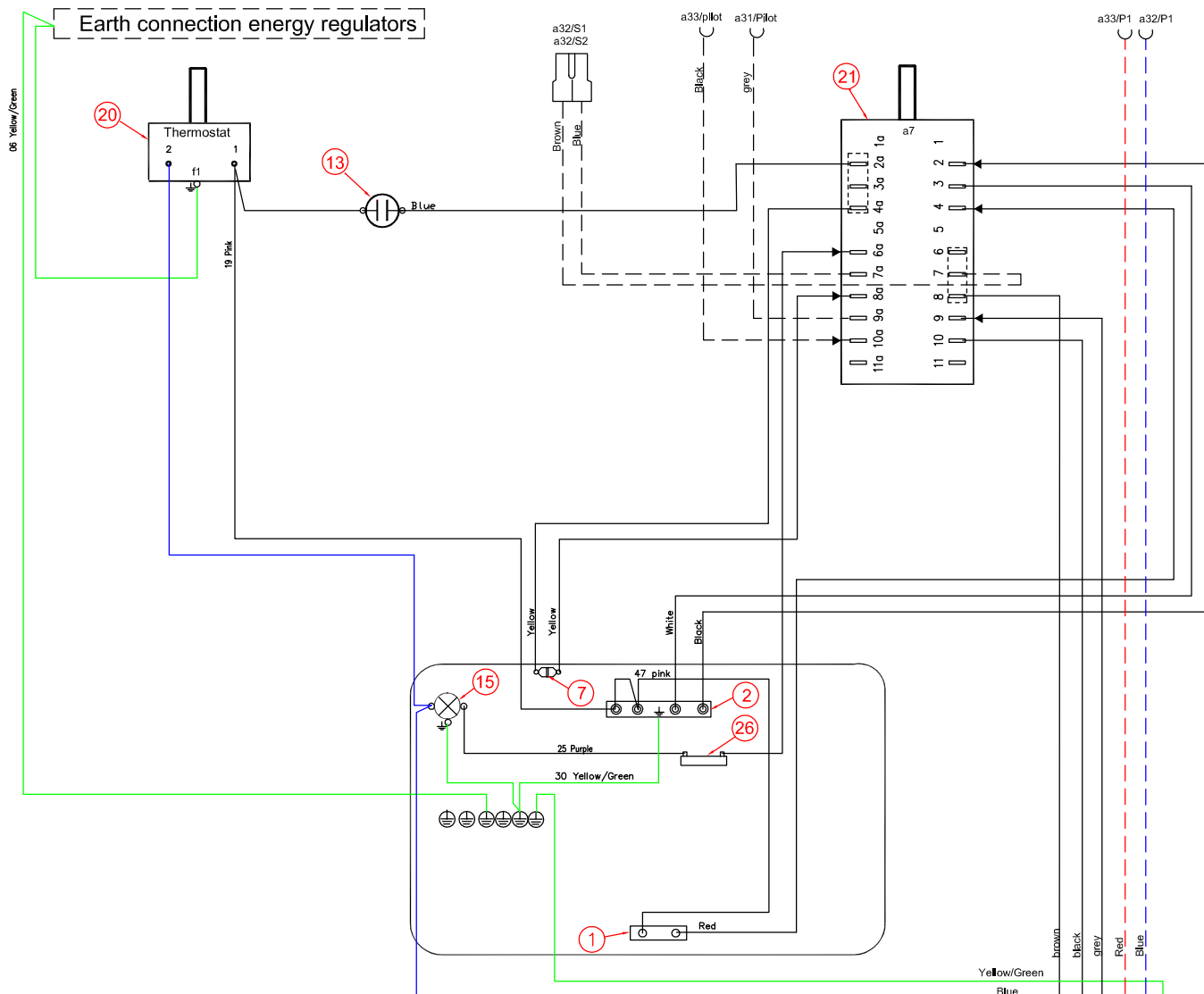
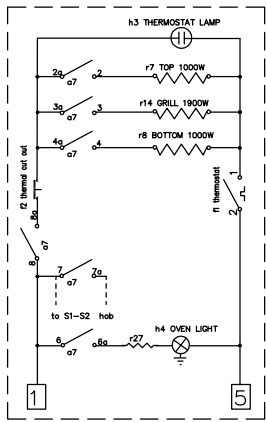


This drawing contains confidential information and is the property of Electrolux, without whose permission it may not be reproduced, stored in a retrieval system or otherwise used and it is to be returned promptly upon request to the design owner, who is responsible for the drawing.

Items shown in this drawing must not contain substances that are banned according to Directive 2002/95/EC, the RoHS Directive. Chemicals, mercury, hexavalent chromium, PBBs and PBBS, are not permitted. Components "Banned" or "Restricted" according to the Electrolux Restricted Materials List.



POS	No	Components
27		
26	1	Resistor rear oven lamp 40W
25		
24		
23		
22		
21	1	Main switch/ oven function
20	1	THERMOSTAT
19		
18		
17		
16	1	TERMINAL STRIP 6 PINS, SNAP
15	1	OVEN LAMP TOP
14		
13	1	CONTROL LAMP
12		
11		
10		
9		
8		
7	1	THERMAL CUT OUT
6		
5		
4	-	
3		
2	1	HEATINGELE. TOP 1000/1900W
1	1	HEATINGELE. LOWER 1000W

ID	DESCRIPTION	ELUX PART NO.
	Wiring list harness	349 4881
	Oven selector wiring	349 4247
	INSULATION HOUSING	
	LIST OF CRIMP CONTACTS	330 1766
	Component list	330 2222

B	Wire pos 30 add, pos 03 and 21 removed	S.A.H	ABS 2683	2006.01.16
A	First edition	S.A.H	ABS 733	2005.05.13
POS	MODIFICATIONS	SIGNATURE	REQUEST	DATE
MATERIAL	WEIGHT	DESIGN USERS	REPLACES	EUROPEAN METHOD
TREATMENT			DERIVED FROM	
DESIGN OWNER	DRN S.A.H	CP S.A.H	SCHEMATIC	MM
DATE	2005-05-13	APP S.A.H	REVIEW	REVIEW
TITLE: Wiring oven assembly				

Electrolux

NUMBER **349 4880**

REV B
SHEET

349 4880-02	ABS 6160	POS	MODEL	DESIGN USERS	CHANGES FROM THE BASE NUMBER
VARIANT NUMBER	REPLACED NUMBER				