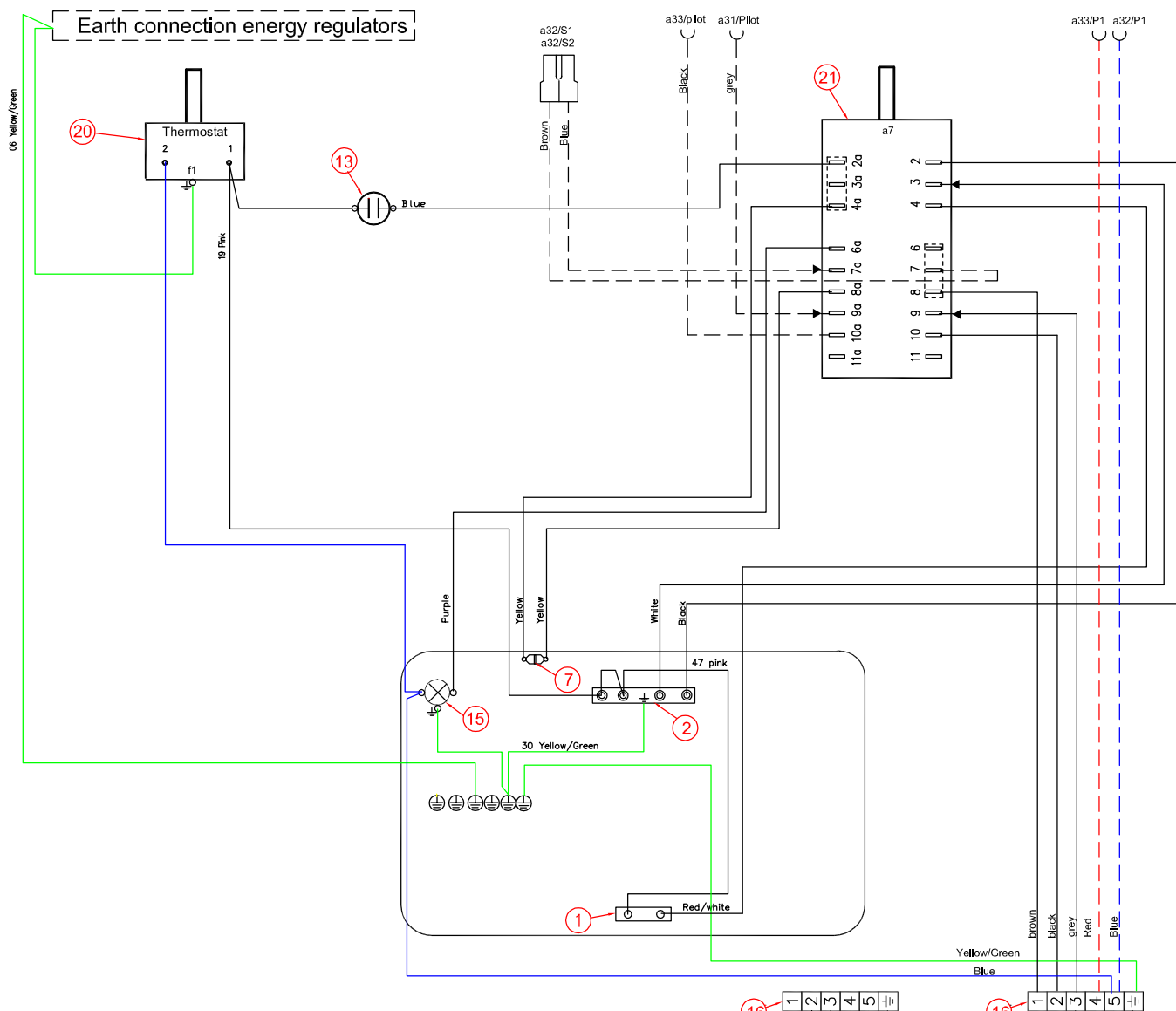
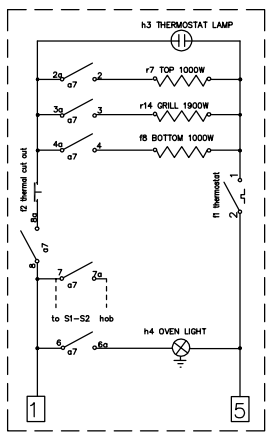


This drawing contains confidential information and is the property of Electrolux. Without whose permission it shall not be reproduced, stored in a retrieval system or otherwise used and it is to be returned immediately upon request to the design owner, who is responsible for the drawing.

Items shown in this drawing must not contain substances that are banned according to Directive 2002/95/EC, the RoHS Directive. Cadmium, Mercury, Hexavalent Chromium, PBBs and PBDEs are not allowed. The use of "Banned" or "Restricted" according to the Electrolux Restricted Materials List.



25	
24	
23	
22	
21	1 Main switch/ oven function
20	1 THERMOSTAT
19	
18	
17	
16	1 TERMINAL STRIP 6 PINS SNAP
15	1 OVEN LAMP TOP
14	
13	1 CONTROL LAMP
12	
11	
10	
9	
8	
7	1 THERMAL CUT OUT
6	
5	
4	
3	
2	1 HEATINGELE TOP
1	1 HEATINGELE LOWER
POS ANT	GENSTAND

ID	DESCRIPTION	ELUX PART NO.
	Wiring list harness	349 4879
	Oven selector wiring	349 4247
	INSULATION HOUSING	
	LIST OF CRIMP CONTACTS	330 1766
	Component list	330 2222

B Wire pos 30 add_pos 03 and 21 removed		S.A.H	ABS 2683	2006.01.16
A First edition		S.A.H	ABS731	2005.05.12
POS	MODIFICATIONS	SIGNATURE	REQUEST	DATE
MATERIAL	WEIGHT	DESIGN USERS	REPLACES	EUROPEAN METHOD
TREATMENT	DESIGN OWNER	DRN S.A.H	CP S.A.H	RECEIVED
	DATE 2005-05-12	APR S.A.H	RECEIVED	TITLE
Electrolux				
NUMBER 349 4878				REV B
				SHEET

349 48XX-02	ABS 6160	POS	MODEL	DESIGN USERS	CHANGES FROM THE BASE NUMBER
VARIANT NUMBER	REPLACED NUMBER				