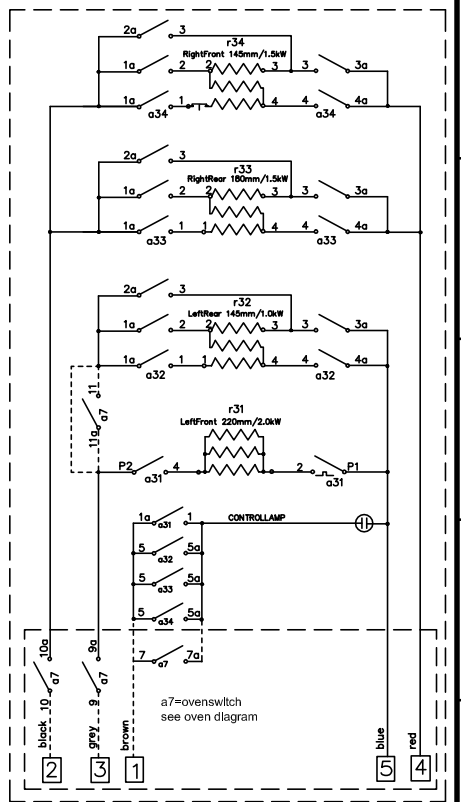
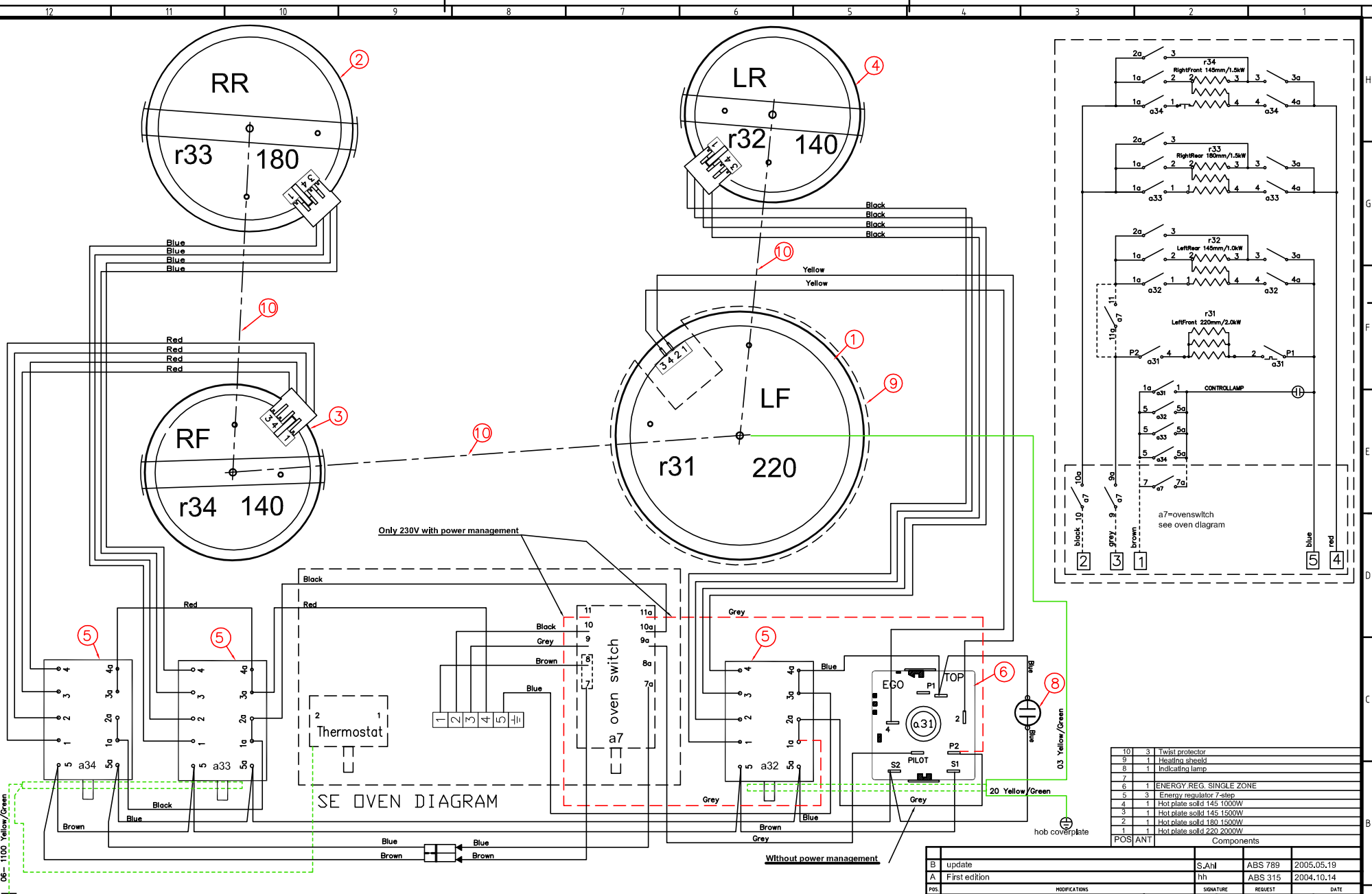


This drawing contains confidential information and is the property of Electrolux, without whose permission it shall not be reproduced, stored in a retrieval system or otherwise used and it is to be returned promptly upon request to the design owner, who is responsible for the drawing.

Items shown in this drawing must not contain substances that are banned according to Directive 2002/95/EC, the RoHS (Restriction of Hazardous Substances) Directive. The RoHS list is available on the website: www.electrolux.com. Components must be marked according to the Electrolux "Banned" or "Restricted" according to the Electrolux Restricted Materials List.



10	3	Twist protector
9	1	Heating shield
8	1	Indicating lamp
7	1	ENERGY REG. SINGLE ZONE
6	3	Energy regulator 7-step
5	3	Hot plate solid 145 1000W
4	1	Hot plate solid 145 1500W
3	1	Hot plate solid 180 1500W
2	1	Hot plate solid 180 2000W
1	1	Hot plate solid 220 2000W

ID	DESCRIPTION	ELUX PART NO.
	Hob wiring cpl.	349 4875
	INSULATION HOUSING	
	LIST OF CRIMP CONTACTS	330 1766
	Component list	330 2222

HS60:2, HS70:2
Harness 349 4875

FRONT SEEN FROM BOTTOM

VARIANT NUMBER	REPLACED NUMBER	POS.	MODEL	DESIGN USERS	CHANGES FROM THE BASE NUMBER
-	349 4874-01				

B	update	S.Ah	ABS 789	2005.05.19
A	First edition	hh	ABS 315	2004.10.14
POS.	MODIFICATIONS	SIGNATURE	REQUEST	DATE
MATERIAL	WEIGHT	DESIGN USERS	REPLACES	EUROPEAN METHOD
TREATMENT			DERIVED FROM	
DESIGN OWNER	DATE	APP.	DATE	TITLE
John S.Ah	2004-12-29	S.Ah	2004-12-29	Wiring hob assembly
Electrolux				
NUMBER 349 4874			REV	B
			SHEET	