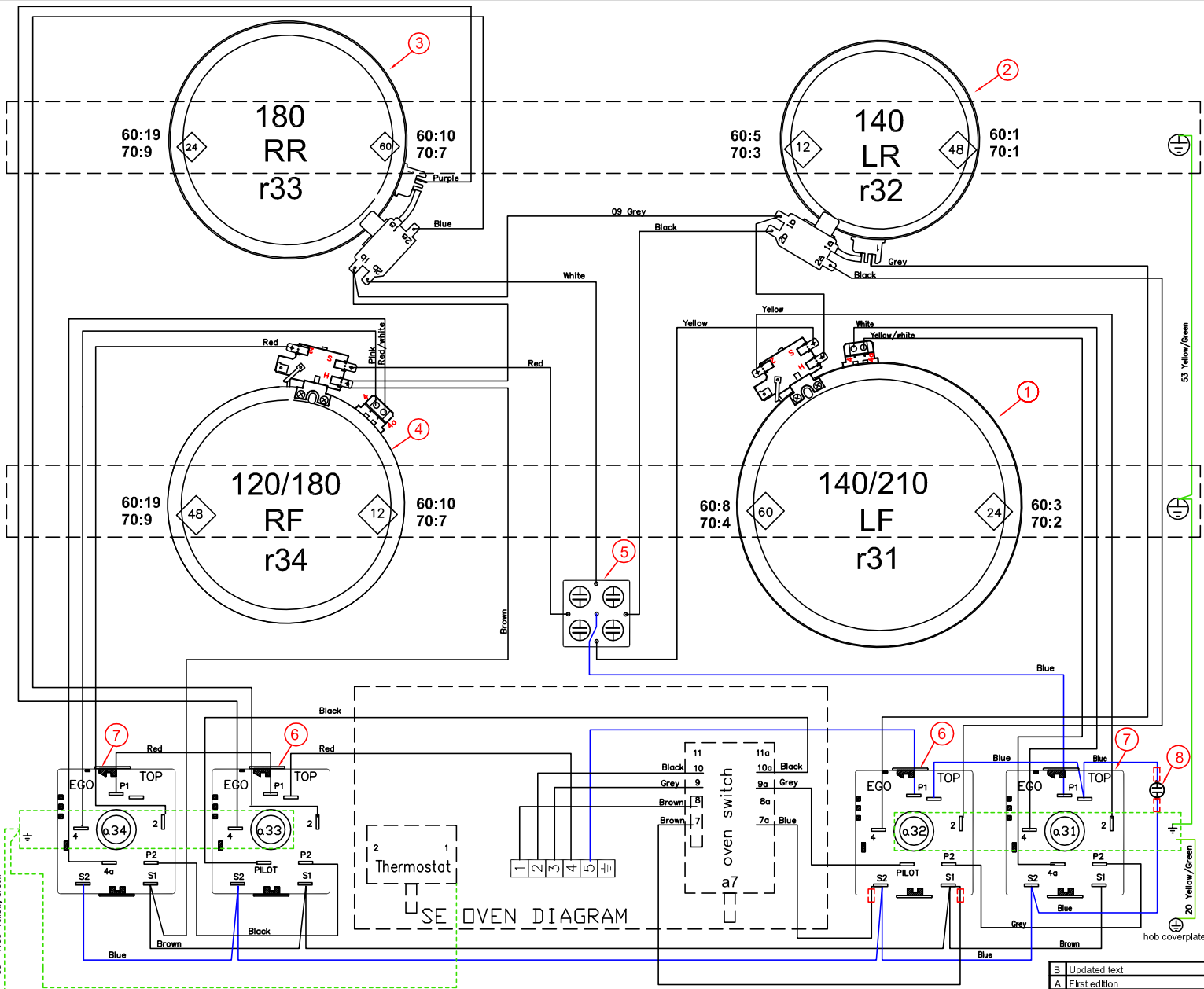
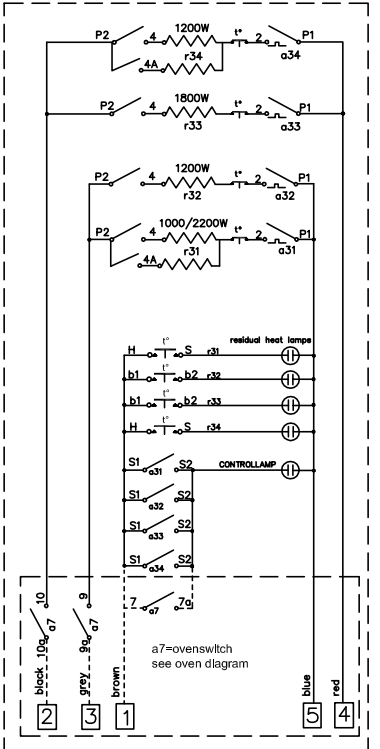


This drawing contains confidential information and is the property of Electrolux, without whose permission it may not be reproduced, stored in a retrieval system or otherwise used and it is to be returned promptly upon request to the design owner, who is responsible for the drawing.

Items shown in this drawing must not contain substances that are banned according to Directive 2002/95/EC (RoHS) or Directive 2006/66/EC (Batteries and Accumulators Directive) or substances classified as "Banned" or "Restrictive" according to the Electrolux Restricted Substances List.



HOLE NUMBER	MOUNTING HOLES FOR HOTPLATES/CROSSBAR
XX	



POS	DESCRIPTION	QUANTITY
9	Indicating lamp cooker 400V	1
8	Energy regulator double zone 400V	2
7	Energy regulator single zone 400V	2
6	Heat indicator 400V	1
5	Radiant heater 120/180 700/1700W, 400V, EGO	1
4	Radiant heater 140 1800W, 400V, E1KA	1
3	Radiant heater 140 1200W, 400V, E1KA	1
2	Radiant heater 140/210 1000/2200W, 400V, EGO	1

ID	DESCRIPTION	ELUX PART NO.
	Hob wiring cpl.	349 4254 05
	INSULATION HOUSING	
	LIST OF CRIMP CONTACTS	330 1766
	Component list	330 2222

FRONT SEEN FROM BOTTOM
HC60:7/HC70:7, 400V, flins

B Updated text	S:AhI	ABS 859	2005-06-15
A First edition	hh	ABS 716	2005-05-02
SIGNATURE		REQUEST	DATE
MATERIAL		SCALE	EUROPEAN METHOD
DESIGN USERS		REPLACES	
TREATMENT		WEIGHT	DERIVED FROM
DESIGN OWNER		SUPPLY SPECIFICATIONS	
DRN hh	CONCEPT 3D	FILE	
DATE 2005-05-02	EXACT 3D	Wiring hob assembly	
		NUMBER	REV. IS
		349 4872	SHEET

349 4872-01							
VARIANT NUMBER	SERIALIZED NUMBER	POS.	MODEL	DESIGN USERS	CHANGES FROM THE BASE NUMBER		