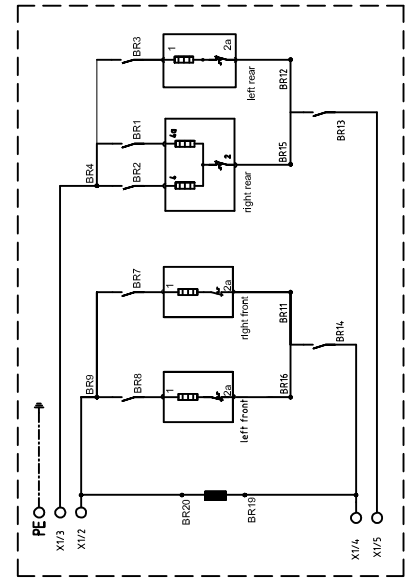
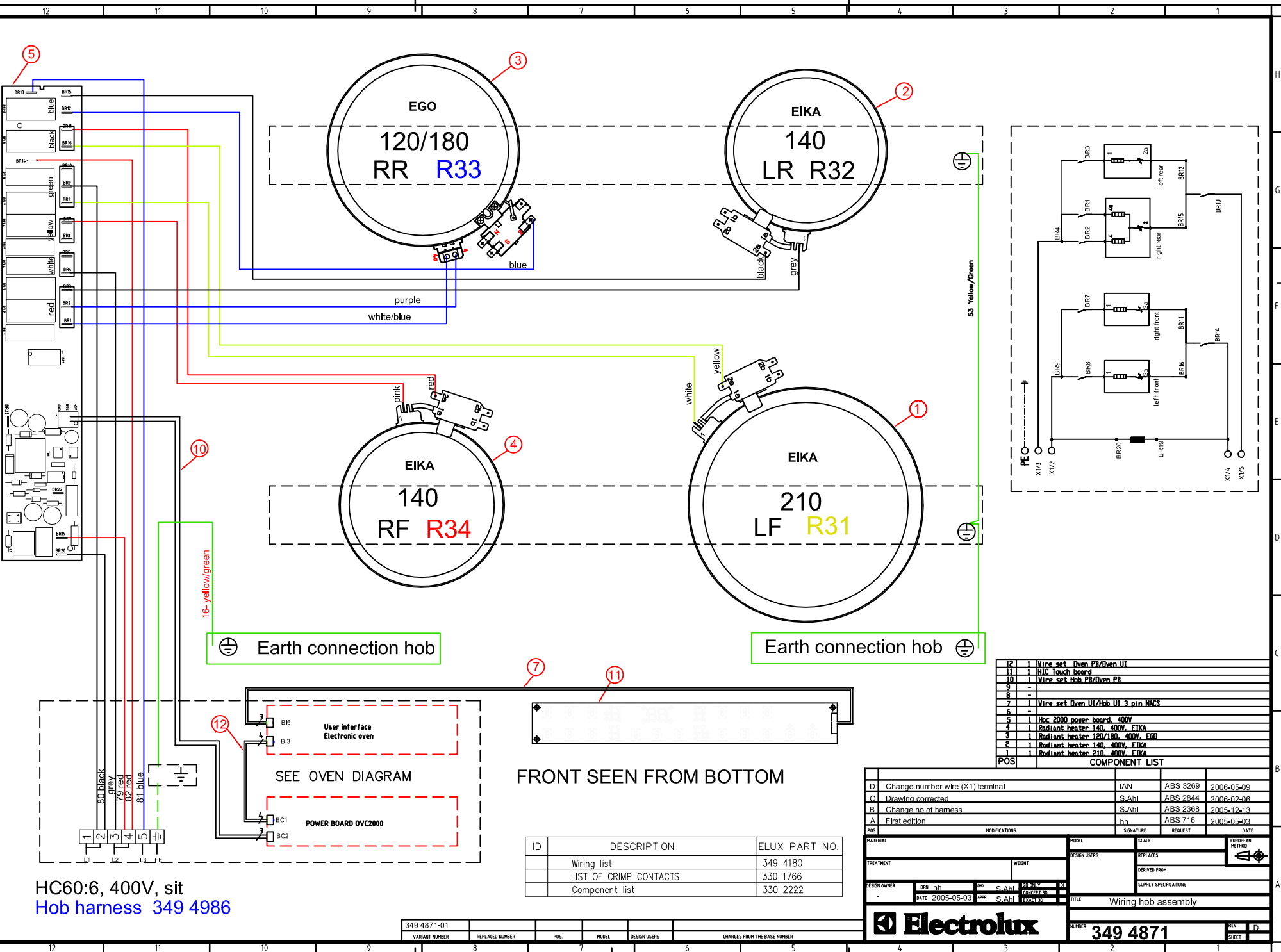


This drawing contains confidential information and is the property of Electrolux, without whose permission it shall not be reproduced, stored in a retrieval system or otherwise used and it is to be returned immediately upon request to the design owner, who is responsible for the drawing.

Items shown in this drawing must not contain substances that are banned according to Directive 2002/95/EC, the RoHS Directive. Certain components, however, may contain substances that are restricted according to "Ban" or "Restrictive" according to the Electrolux Restricted Materials List.



POS	QTY	DESCRIPTION
12	1	Wire set Oven PB/Oven UI
11	1	W/C Touch board
10	1	Wire set Hob PB/Oven PB
9	-	
8	-	
7	1	Wire set Oven UI/Hob UI 3 pin MMS
6	-	
5	1	Hob 2000 power board 400V
4	1	Radiant heater 140_400V_EIKA
3	1	Radiant heater 120/180_400V_EGO
2	1	Radiant heater 140_400V_EIKA
1	1	Radiant heater 210_400V_EIKA

POS	QTY	DESCRIPTION	SIGNATURE	REQUEST	DATE
D	1	Change number wire (X1) terminal	IAN	ABS 3269	2006-05-09
C	1	Drawing corrected	S.Ahl	ABS 2844	2006-02-06
B	1	Change no of harness	S.Ahl	ABS 2368	2005-12-13
A	1	First edition	hh	ABS 716	2005-05-03

MATERIAL	MODEL	SCALE	EUROPEAN METHOD

DESIGN OWNER	DATE	CO	APPR	DESIGNED BY	DATE	CO	APPR	DESIGNED BY	DATE	TITLE
hh	2005-05-03	S.Ahl		S.Ahl	2005-05-03	S.Ahl		S.Ahl	2005-05-03	Wiring hob assembly

<b>Electrolux</b>		NUMBER	349 4871	REV	D
		SHEET			

HC60:6, 400V, sit  
Hob harness 349 4986

VARIANT NUMBER	REPLACED NUMBER	POS	MODEL	DESIGN USERS	CHANGES FROM THE BASE NUMBER
349 4871-01					

ID	DESCRIPTION	ELUX PART NO.
	Wiring list	349 4180
	LIST OF CRIMP CONTACTS	330 1766
	Component list	330 2222