

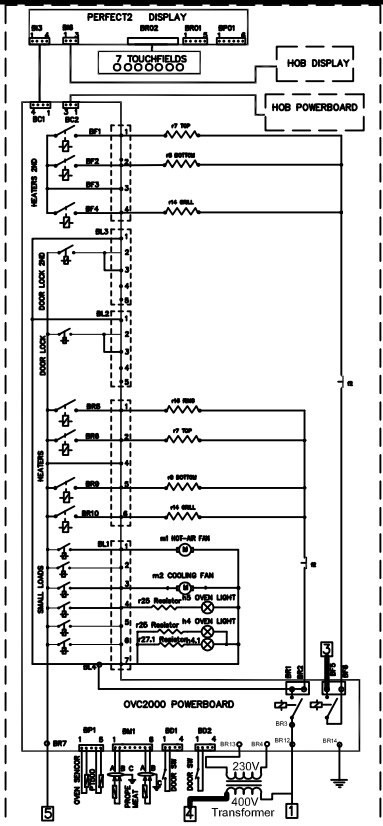
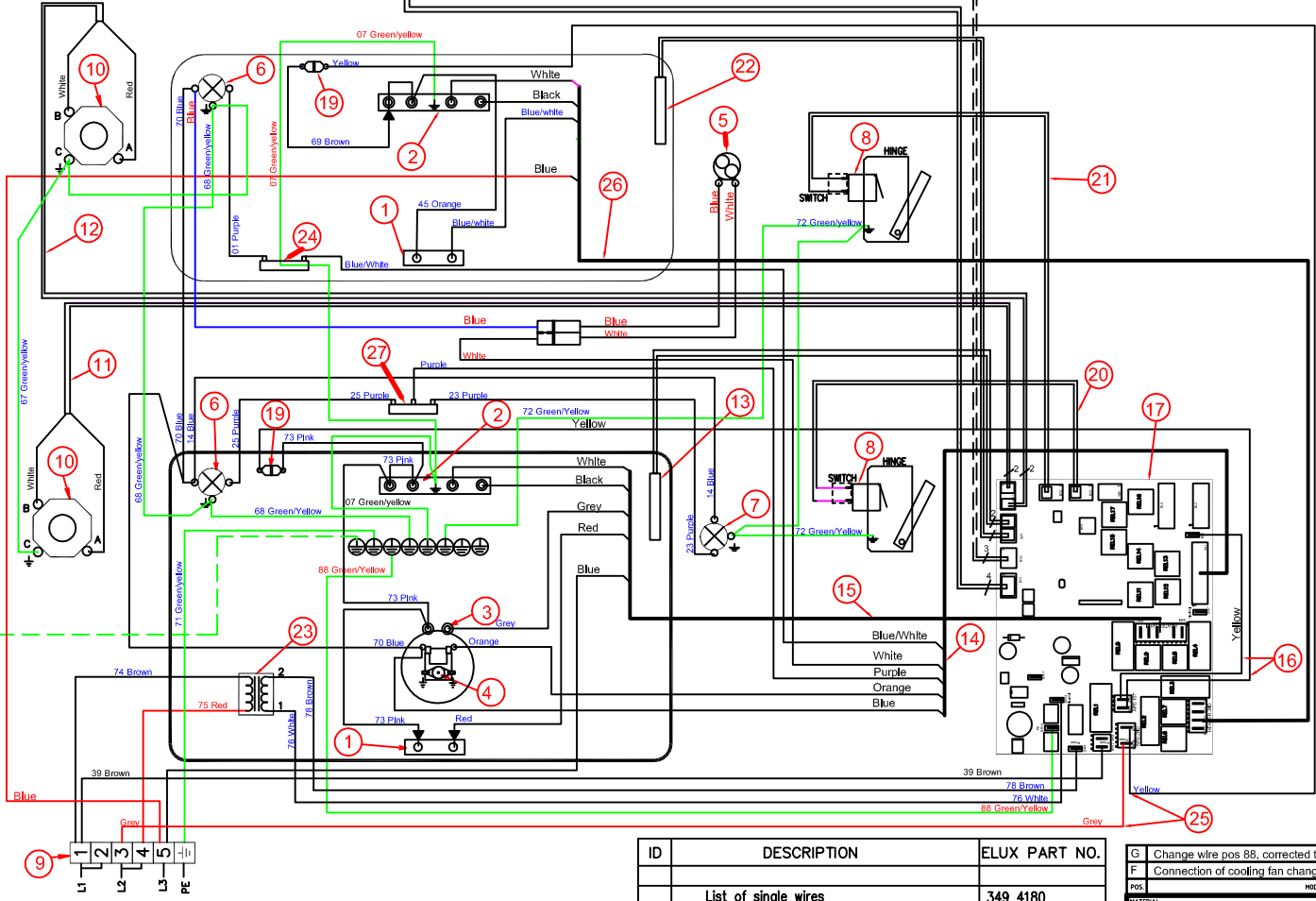
This drawing contains confidential information and is the property of Electrolux. Without whose permission it shall not be reproduced, stored in a retrieval system or otherwise used and it is to be returned immediately upon request to the design owner, who is responsible for the drawing.

Items shown in this drawing must not contain substances that are banned according to Directive 2002/95/EC, the RoHS Directive. The design owner, Electrolux, hereby certifies that the parts and materials used in this drawing are "RoHS Compliant" or "RoHS Free" according to the Electrolux Restricted Materials List.

SEE HOB DIAGRAM

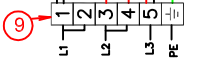
3 pin signalwire from hob displayboard.

3 pin signalwire from hob powerboard.



29	1	Touch board
28	1	Ribbon cable
27	1	Resistor slide and back oven lamp 25W-40W
26	1	Wire set heater TO
25	1	Wire set APD
24	1	Resistor back oven lamp 40W
23	1	Transformer 400V/230V
22	1	Oven PT500 sensor TO
21	1	Wire set Light switch TO
20	1	Wire set Light switch MO
19	2	Heat protector
18	1	Display
17	1	OVC 2000 power board
16	1	Wire set APD
15	1	Wire set heater MO
14	1	Wire set small loads
13	1	Oven PT500 sensor MO
12	1	Wire set meat probe TO
11	1	Wire set meat probe MO
10	2	Jack socket meat probe
9	1	Main terminal
8	2	Microswitch fan / light
7	1	Oven lamp slide
6	2	Oven lamp back
5	1	Cooling fan
4	1	Fan motor hot air
3	1	Heating elem. hot air 2400W
2	2	Heating elem. top 1000/1900W
1	2	Heating elem. lower 1000W

400V



ID	DESCRIPTION	ELUX PART NO.
	List of single wires	349 4180
	INSULATION HOUSING	
	LIST OF CRIMP CONTACTS	330 1766
	Component list	330 2222
	Wiring OVC 2000 harness	349 4845
	Wiring list harness	349 5086

G	Change wire pos 88, corrected technical diagram	S.Ahl	ABS3641	2006.07.05
F	Connection of cooling fan change	S.Ahl	ABS3361	2006.05.12
POS	MODIFICATIONS	SIGNATURE	REQUEST	DATE
MATERIAL	SCALE	DESIGN USERS	REPLACES	EUROPEAN METHOD
TREATMENT	WEIGHT	DESIGN USERS	DERIVED FROM	
DESIGN OWNER	DATE	APPR	REVISION	SUPPLY SPECIFICATIONS
DRN IAN		2005 05 09	APPR S.AHL	REVISION
TITLE				Wiring oven assembly



NUMBER 349 4844