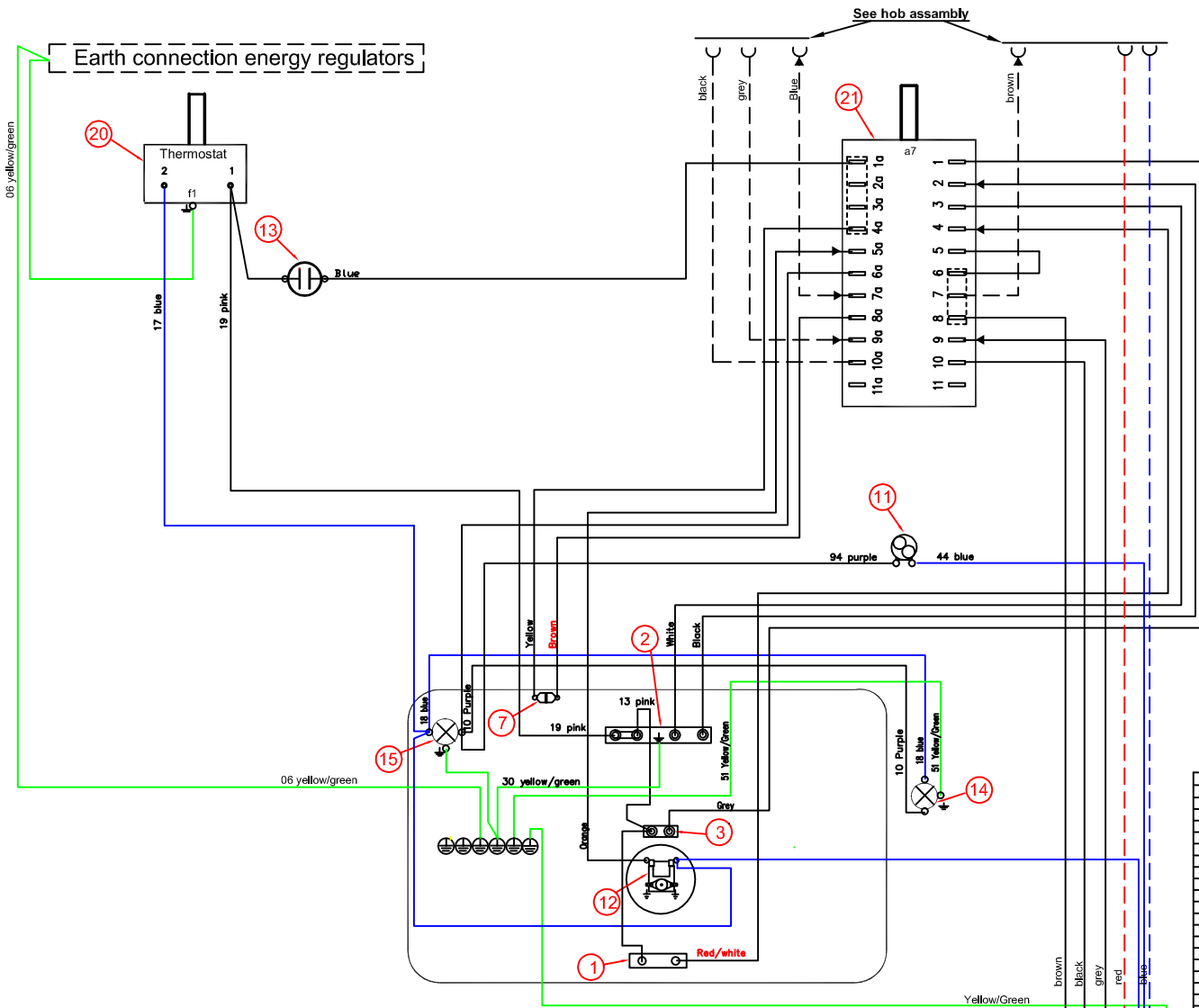
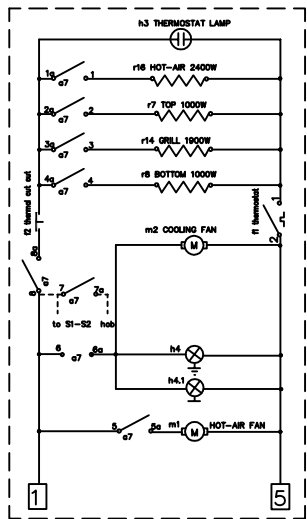


This drawing contains confidential information and is the property of Electrolux, without whose permission it may not be reproduced, stored in a retrieval system or otherwise used and it is to be returned immediately upon request to the design owner, who is responsible for the drawing.

Items shown in this drawing must not contain substances that are banned according to Directive 2002/95/EC, RoHS, and must not contain substances that are restricted according to Directive 2005/618/EC, REACH. PMS and PMS+ elements are also subject to "Banning" or "Restriction" according to the Electrolux Restricted Materials List.



25	
24	
23	-
22	
21	1 Main switch / oven function
20	1 THERMOSTAT
19	
18	
17	
16	1 TERMINAL STRIP 6 PINS, SNAP
15	1 OVEN LAMP TIP
14	1 OVEN LAMP STRIP
13	1 THERMOSTAT LAMP
12	1 FANMOTOR HOTAIR OVEN
11	1 COOLING FAN
10	
9	
8	
7	1 THERMAL CUT OUT
6	
5	
4	
3	1 HEATINGELE. HOTAIR 2400W
2	1 HEATINGELE. TOP 1000/1900W
1	1 HEATINGELE. LOWER 1000W
POS/ANT	GENSTAND

ID	DESCRIPTION	ELUX PART NO.
	Oven selector wiring	349 4210
	INSULATION HOUSING	
	LIST OF CRIMP CONTACTS	330 1766
	Component list	330 2222

349 4791-02					
VARIANT NUMBER	REPLACED NUMBER	POS.	MODEL	DESIGN USERS	CHANGES FROM THE BASE NUMBER

B	Correction wiring to cooling fan, 94 purple	IAN	ABS 6285	2007.11.06
A	First edition	IAN	ABS 3999	2006.09.11
POS.	MODIFICATIONS	SIGNATURE	REQUEST	DATE
MATERIAL	WEIGHT	DESIGN USERS	REPLACES	EUROPEAN METHOD
TREATMENT	WEIGHT	DESIGN USERS	REPLACES	EUROPEAN METHOD
DESIGN OWNER	DATE	APPR	DATE	TITLE
IAN	2006-09-11	S.A.H	2006-09-11	Wiring oven assembly
<b>Electrolux</b>		NUMBER	349 4791	REV. 1
				SHEET 1