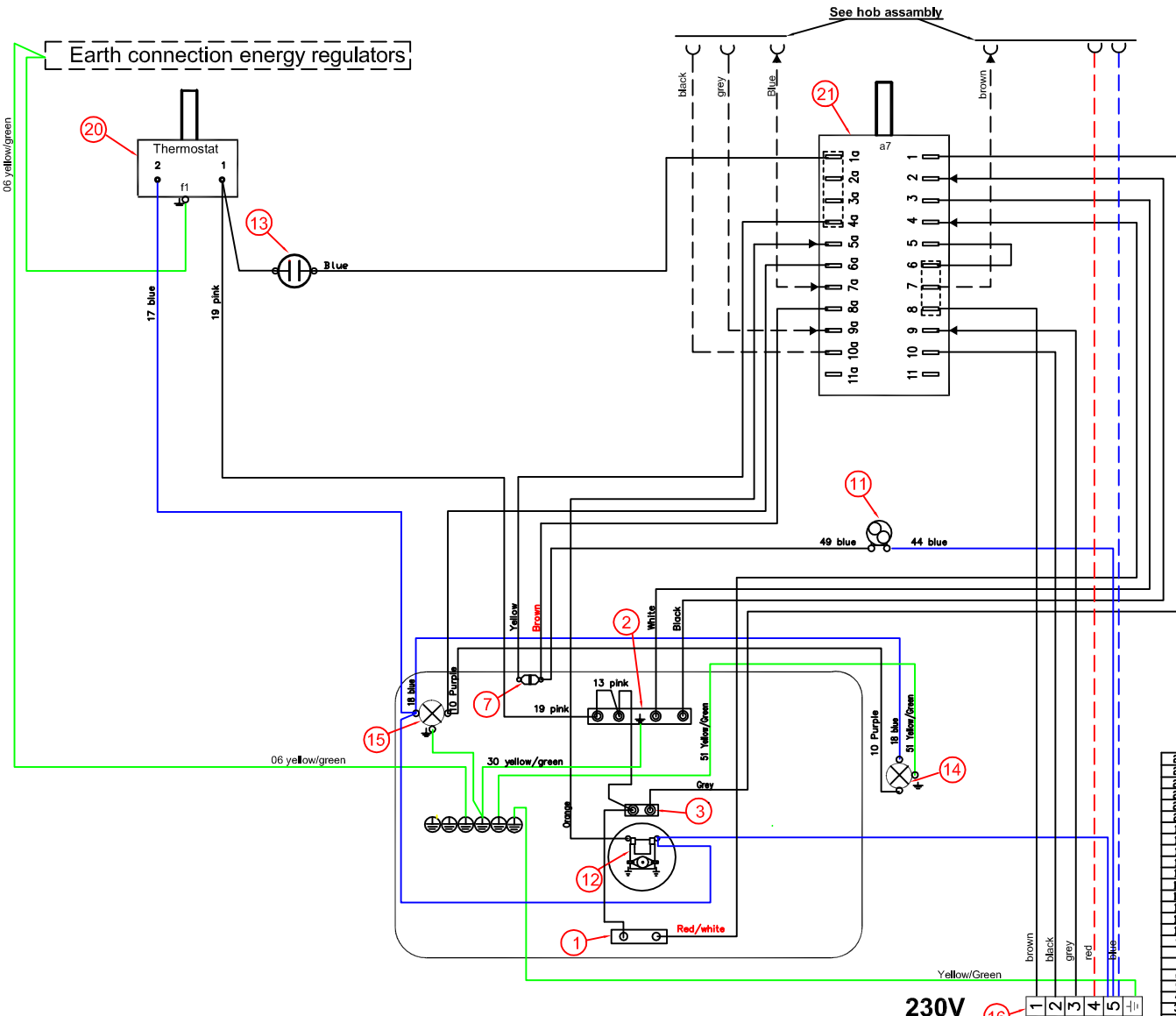
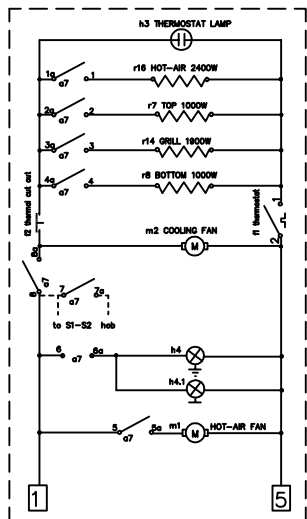


This drawing contains confidential information and is the property of Electrolux. Without whose permission it is not to be reproduced, distributed, copied, or otherwise used and it is to be returned promptly upon request to the design owner, who is responsible for the drawing.

Items shown in this drawing must not contain substances that are banned according to Directive 2002/95/EC, Directive 2006/66/EC, or other applicable legislation. Chromium, PBB and PBDE, or substances classified as "Banned" or "Restricted" according to the Electrolux Restricted Materials List.



ID	DESCRIPTION	ELUX PART NO.
	Wiring list harness	349 5315
	Oven selector wiring	349 4234
	INSULATION HOUSING	
	LIST OF CRIMP CONTACTS	330 1766
	Component list	330 2222

25	
24	
23	
22	
21	1 Main switch/ oven function
20	1 THERMOSTAT
19	
18	
17	
16	1 TERMINAL STRIP 6 POLS, SNAP
15	1 OVENLAMP TIP
14	1 OVEN LAMP SIDE
13	1 THERMOSTAT LAMP
12	1 FANMOTOR HOTAIR/OVEN
11	1 COOLING FAN
10	
9	
8	
7	1 THERMAL CUT OUT
6	
5	
4	
3	1 HEATINGELE. HOTAIR 2400W
2	1 HEATINGELE. TIP 1000/1500W
1	1 HEATINGELE. LOWER 1000W
POS/ANT	GENSTAND

A First edition		IAN	ABS 3999	2006.09.11
POS		SIGNATURE		DATE
MATERIAL		MODEL	SCALE	EUROPEAN METHOD
TREATMENT		WEIGHT	DESIGN USERS	REPLACES
DESIGN OWNER		DRN	IAN	CONCEPT 3D
DATE		2006-09-11	APP	S.A.H
TITLE		Wiring oven assembly		
Electrolux		NUMBER		349 4791
		REV		A
		SHEET		