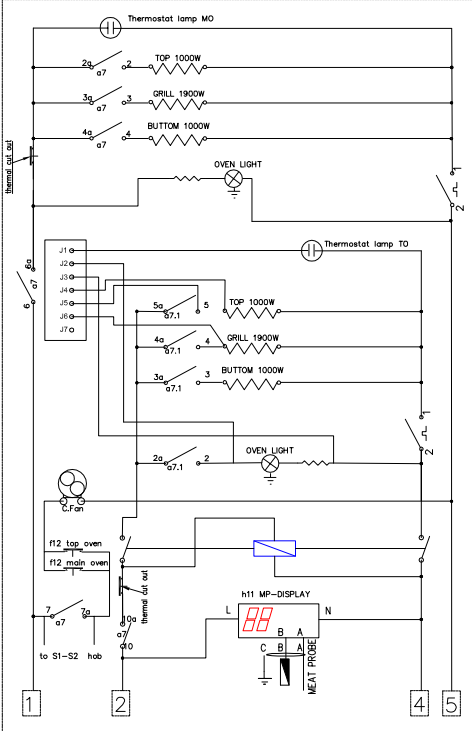
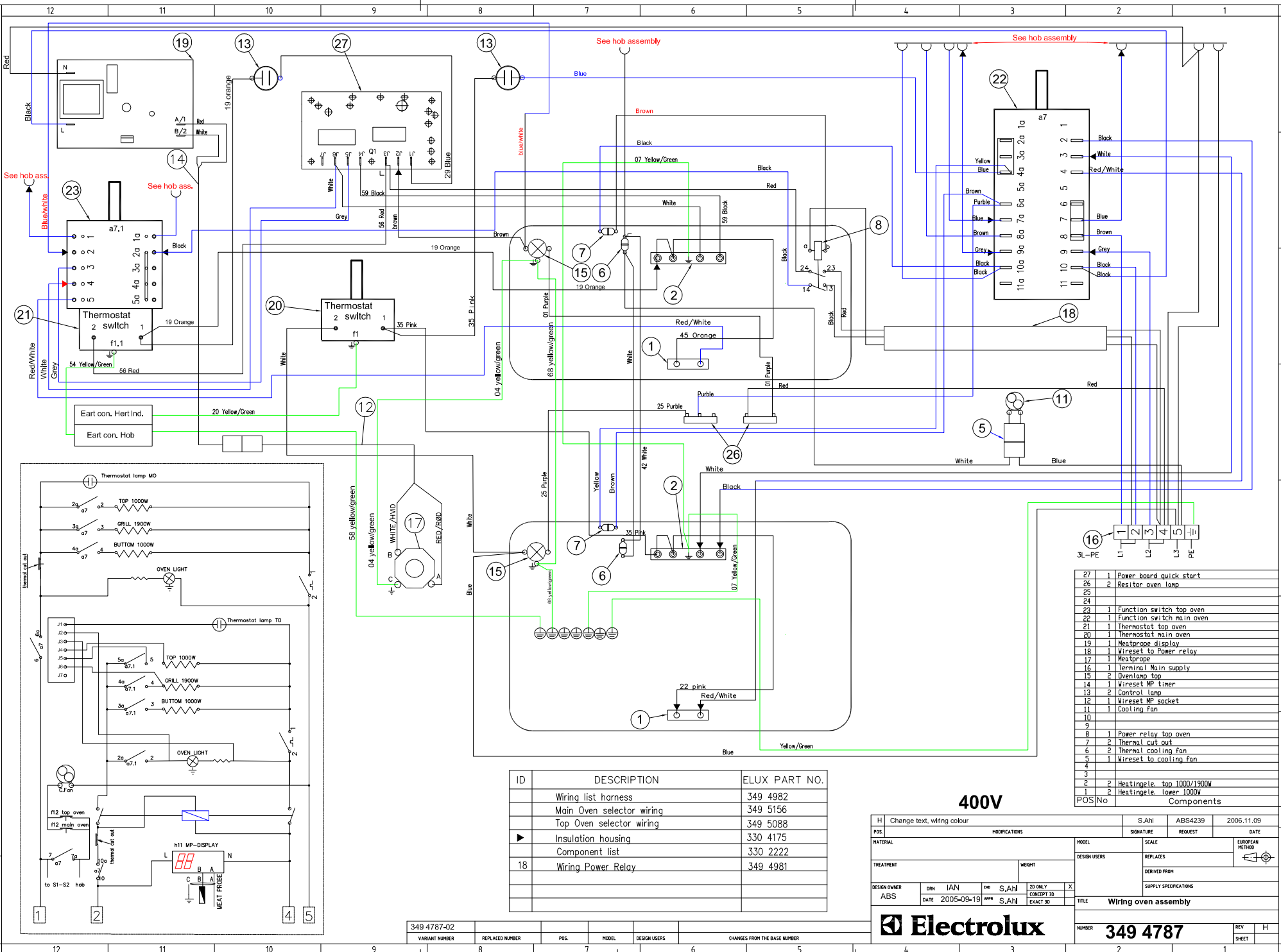


This drawing contains confidential information and it may not be copied, shown or handed to a third party without the prior written consent of the design owner, who is responsible for the drawing.

Items shown in this drawing must not contain substances which are restricted according to the RoHS Directive (Lead, Cadmium, Mercury, Hexavalent Chromium, PBB and PBDE), or substances classified as "harmful" or "very harmful" according to the Electrolux Restricted Materials List.

GENERAL TOLERANCES:
ANGLES
LENGTHS AND DIAMETERS



ID	DESCRIPTION	ELUX PART NO.
	Wiring list harness	349 4982
	Main Oven selector wiring	349 5156
	Top Oven selector wiring	349 5088
	Insulation housing	330 4175
	Component list	330 2222
18	Wiring Power Relay	349 4981

349 4787-02	VARIENT NUMBER	REPLACED NUMBER	POS.	MODEL	DESIGN USERS	CHANGES FROM THE BASE NUMBER

POS/No	Components
27	1 Power board quick start
26	2 Resistor oven lamp
25	
24	
23	1 Function switch top oven
22	1 Function switch main oven
21	1 Thermostat top oven
20	1 Thermostat main oven
19	1 Meatprobe display
18	1 Wireset to Power relay
17	1 Meatprobe
16	1 Terminal Main supply
15	2 Ovenlamp top
14	1 Wireset MP timer
13	2 Control lamp
12	1 Wireset MP socket
11	1 Cooling fan
10	
9	
8	1 Power relay top oven
7	2 Thermal cut out
6	2 Thermal cooling fan
5	1 Wireset to cooling fan
4	
3	
2	2 Heatingelement top 1000/1900W
1	2 Heatingelement lower 1000W

400V

H Change text, wiring colour		S.A.H	ABS4239	2006.11.09
MODIFICATIONS		SIGNATURE	REQUEST	DATE
MATERIAL		MODEL	SCALE	EUROPEAN METHOD
TREATMENT		DESIGN USERS	REPLACES	
DESIGN OWNER		DATE	CONCEPT 3D	SUPPLY SPECIFICATIONS
ABS	DRN IAN	09/19	APP S.A.H	EXACT 3D
TITLE		Wiring oven assembly		
Electrolux		NUMBER	349 4787	
		REV	H	
		SHEET		